

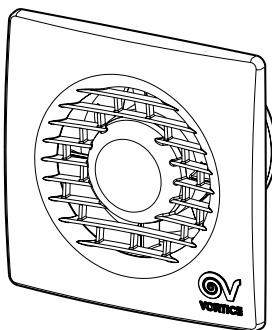
Libretto d'istruzioni
Instruction booklet
Notice d'emploi et d'entretien
Betriebsanleitung
Manual de instrucciones
Manual de instruções
Gebruiksaanwijzing
Instruktionshäfte
Brugervejledning
Käyttöohje
Instrukcja obsługi

Használati utasítás
Uživatelská příručka
Manual de instruțiuni
Upute za uporabu
Knjžica z navodili
Kullanma Kılavuzu
Εγχειρίδιο οδηγίων
Инструкции по эксплуатации
كتيب التعليمات
说明手册



VORTICE PUNTO FILO

MF 90 - MF 100 - MF 120 - MF 150



COD. 5.371.084.512

02/09/2008

VORTICE LIMITED
Beeches House - Eastern Avenue
Burton on Trent
DE13 0BB
Tel. (+44) 1283-492949
Fax (+44) 1283-544121
UNITED KINGDOM

VORTICE FRANCE
72 Rue Baratte-Cholet
94106 Saint Maur Cedex
Tel. (+33) 1-55.12.50.00
Fax (+33) 1-55.12.50.01
FRANCE

VORTICE ELETTROSOCIALI S.p.A.
Strada Cerca, 2 - frazione di Zoate
20067 TRIBIANO (MI)
Tel. (+39) 02-90.69.91
Fax (+39) 02-90.64.625
ITALIA

Prima di installare e collegare il prodotto, leggere attentamente queste istruzioni. Vortice non potrà essere considerata responsabile per eventuali danni a persone o cose causate dal mancato rispetto delle prescrizioni di seguito elencate, la cui applicazione garantirà invece l'affidabile e sicuro funzionamento nel tempo dell'apparecchio.
Conservare sempre questo libretto istruzioni.

Read these instructions carefully before installing and connecting this appliance. Vortice cannot assume any responsibility for damage to property or personal injury resulting from failure to abide by the following instructions, whose application will instead ensure safe and reliable operation of the appliance over time. Keep this instruction booklet in a safe place.

Avant d'installer et de brancher l'appareil, lire attentivement ces instructions. La société Vortice ne pourra être tenue pour responsable des dommages éventuels causés aux personnes ou aux choses, en cas d'un non-respect des consignes mentionnées dans cette notice, et dont l'application garantira au contraire le fonctionnement fiable et sûr dans le temps de l'appareil.
Conservier toujours ce livret d'instructions.

Bevor Sie das Gerät installieren und anschließen, bitten diese Gebrauchsanweisungen genau durchlesen. Vortice kann nicht für Personen- oder Sachschäden zur Verantwortung gezogen werden, die auf eine Nichtbeachtung der Hinweise in dieser Betriebsanleitung zurückzuführen sind. Damit die Lebensdauer und die elektrische und mechanische Zuverlässigkeit des Gerätes garantiert werden können, müssen alle Gebrauchsanweisungen befolgt werden. Diese Betriebsanleitung ist gut aufzubewahren.

Indice IT

Descrizione ed impiego	8
Attenzione - Avvertenza	12
Modelli	13
Funzionamento PIR	59
Installazione - Regolazione timer	61
Manutenzione / Pulizia	67
Informazione importante per l'utente	69

Table of Contents EN

Description and use	8
Warning - Caution	14
Models	15
Operation of PIR	59
Installation - Adjusting the timer	61
Maintenance / Cleaning	67
Important user information	69

Sommaire FR

Description et mode d'emploi	8
Attention - Avertissement	16
Modèles	18
Fonctionnement PIR	59
Installation - Réglage timer	61
Maintenance / Nettoyage	67
Information importante pour l'utilisateur	69

Verzeichnis DE

Beschreibung und Gebrauch	8
Achtung - Wichtiger Hinweis	19
Modelle	20
Funktionsweise PIR-Sensor	59
Installation - Einstellung des Timers	61
Wartung / Reinigung	67
Wichtige Information für den Benutzer	69

DESCRIZIONE ED IMPIEGO

Description and use

Description et mode d'emploi

Beschreibung und Gebrauch

Descripción y empleo

Descrição e utilização

Beschrijving en gebruik

Beskrivning och användning

Beskrivelse og brug

Laitteen kuvaus ja käyttö

Opis i zastosowanie

A termék leírása és alkalmazása

Popis a použití

Descrìere și utilizare

Opis i primjena

Opis in uporaba

Tanımlama ve Kullanım

Περιγραφή και χρήση

Описание и назначение изделия

الوصف والاستخدام

说明及用途

IT

Il prodotto da lei acquistato è un apparecchio Vortice ad alta tecnologia. È un aspiratore elicoidale adatto ad espellere l'aria da piccoli e medi locali. Le versioni "LL" con cuscinetti a sfera garantiscono almeno 30.000 ore di funzionamento meccanico senza problemi ed una silenziosità costante nel tempo. Poiché tutti i modelli sono protetti contro gli spruzzi d'acqua (grado di protezione IPX4), sono ideali per ambienti caratterizzati da elevata umidità. Massime prestazioni e una lunga durata sono garantite se il prodotto è impiegato in modo corretto, rispettando le istruzioni di seguito riportate.

EN

The high-tech Vortice appliance you have purchased is an axial extractor fan designed to expel air from small and medium-sized rooms.

The "LL" models have ball bearings that guarantee at least 30,000 hours of silent, trouble-free mechanical operation.

All the models have splash protection IPX4 and are thus ideal for installing in high-humidity environment.

Maximum performance and long product service life are ensured if the appliance is used correctly in compliance with the following instructions.

FR

Le produit que vous avez acheté est un appareil Vortice à haute technologie. C'est un aérateur hélicoïdale destiné à l'extraction de l'air directement vers l'extérieur (ou à travers de courtes gaines) des locaux de petites et de moyennes dimensions.

Les versions "LL" à roulements à billes garantissent 30000 heures de fonctionnement mécanique au moins sans problèmes et un silence constant dans le temps. Comme tous les modèles sont protégés contre les projections d'eau (degré de protection IPX4), ils sont idéal pour les milieux caractérisés par une forte humidité. Les meilleures performances et une longue durée sont garanties si le produit est employé correctement, en suivant les instructions reportées ci-après.

DE

Das von Ihnen gekaufte Vortice Gerät ist ein High Tech Apparat. Es handelt sich um einen Entlüfter mit Flügelrad, der für die Luftausscheidung kleiner und mittlerer Räume geeignet ist.

Die "LL" Versionen mit Kugellager garantieren einen problemlosen und leisen Betrieb von mindestens 30.000 Betriebsstunden. Da alle Modelle gegen Wasserspritzer geschützt sind (Schutzgrad IPX4), können sie auch in



Warning: this symbol indicates precautions that must be taken to avoid injury

- Do not use this appliance for functions other than those described in this instruction booklet.
- After removing the appliance from its packaging, ensure that it is complete and undamaged. If in doubt contact a professionally qualified electrician or Vortice*. Do not leave packaging within the reach of children or infirm persons.
- Certain fundamental rules must be observed when using any electrical appliance: a) never touch appliances with wet or damp hands; b) never touch appliances while barefoot.
- This appliance is not suitable for use by children or by individuals with reduced physical, sensorial or mental capacities, or by inexperienced or untrained individuals, unless they are supervised or instructed in its use by a person responsible for their safety. Children must always be supervised to ensure that they do not play with the appliance.
- Store the appliance out of the reach of children and infirm persons if you decide to disconnect it from the power supply and no longer use it.
- Do not operate the appliance in the presence of inflammable vapours (alcohol, insecticides, petrol, etc.).
- Take all necessary precautions to ensure there are no back flows of gas into the room from open-flued combustion appliances.



Caution: this symbol indicates precautions that must be taken to avoid damaging the appliance.

- Do not make modifications of any kind to this appliance.
- Do not expose this appliance to the weather (rain, sun, etc.)
- Regularly inspect the appliance for visible defects. If any faults are found, do not operate the appliance but contact Vortice* immediately.
- If the appliance does not function correctly or develops a fault, contact Vortice* immediately and ensure that only genuine original Vortice spares are used for any repairs.
- Should the appliance be dropped or suffer a heavy blow, have it checked immediately by Vortice*.
- The appliance must be installed by a professionally qualified electrician.
- The electrical system to which the appliance is connected must conform to applicable standards.
- The appliance is double insulated and therefore does not need to be earthed.
- The electrical power supply/socket to which the appliance is to be connected must be able to provide the maximum electrical power required by the appliance. Otherwise contact an electrician to make the necessary modifications before proceeding.
- A multi-polar switch must be used to install the appliance. The gap between the switch contacts must be no less than 3 mm.
- Switch off the appliance at the installation's main switch: a) if the appliance does not function correctly; b) before cleaning the outside of the appliance; c) if the appliance is not to be used for any length of time.
- The room must have an adequate source of replacement air for this appliance to function effectively. Moreover, if there is any non-sealed combustion based appliance such as a water heater, gas stove, etc. in the same room, air



replacement must be sufficient for all appliances to work effectively together.

- The appliance must either exhaust directly to the outside or into a short duct (max 400 mm in length to ensure certified performance). Efficiency losses will occur if the appliance is installed in ducting subject to any appreciable back pressure.
- The appliance cannot be used to control activation of water heaters, room heaters, etc. nor must it be connected to the hot air ducts used by other appliances.
- The air to be extracted from the room must be clean (i.e. free of grease, soot, chemical and corrosive agents, and explosive or flammable mixtures) and must not exceed a temperature of 50°C (122°F).
- Keep the appliance's inlet and outlet grilles free to ensure an optimum flow of air.
- Install the appliance so that the impeller is inaccessible from the air outlet side as verified by contact with the Test Finger, in compliance with

the current safety regulations. If this is not possible, the relevant protection accessory must be installed.

- T HCS Model: do not cover or obstruct the humidity sensor grille (fig.19).
- Model PIR: do not cover the lens of the presence sensor (fig. 19A).

N.B.

If the appliance is installed across a wall and wall tiling, to ensure correct operation a spacer must be fitted to compensate for any differences in the surface levels.

The appliance can also be installed on a ceiling (except model PIR). For ceiling mounting a special gasket contained in a kit to be ordered separately must be used in order to maintain a protection rating of IPX4.

Do not install the appliance on a ceiling without first inserting the relevant gasket.

* (or an authorised Service Centre if you live outside the UK or Ireland)

MODELS

EN

A. Standard Model

This model is operated by switching it on by means of the power switch.

B. Timer Model

This model is equipped with a timer factory-set for a minimum operating time of 3 minutes. The timer can be adjusted to settings between approx. 3 and 20 minutes by means of the trimmer (see fig. 14A).. The appliance switches on automatically a few seconds after the light is switched on and continues to run for the set time after the light is switched off.

C. T HCS Model

This model has a preset humidity sensing circuit that switches it on when the relative humidity exceeds 65%. The circuit is also equipped with a

timer that can be adjusted to settings between approx. 3 and 20 minutes by means of the trimmer (see fig. 14B). The unit switches on automatically a few seconds after the light is switched on and continues to run for the preset period of time after the light is switched off.

D. Model PIR

The product is equipped with an electronic circuit with a sensor (PIR), which brings the unit into operation when it detects the presence of a person within its range of action (see page 59-60).

This model is equipped with a timer factory-set for a minimum operating time of 3 minutes. The timer can be adjusted to settings between approx. 3 and 20 minutes by means of the trimmer (see fig. 14A).

FUNZIONAMENTO PIR

Operation of PIR

Fonctionnement PIR

Funktionsweise PIR-Sensor

Funcionamiento PIR

Funcionamento PIR

Werking PIR

PIR funktion

Funktion af PIR

Toiminto PIR

Działanie PIR

A PIR mûködése

Provoz PIR

Funcionare PIR

Funkcioniranje PIR-a

Delovanje senzorja PIR

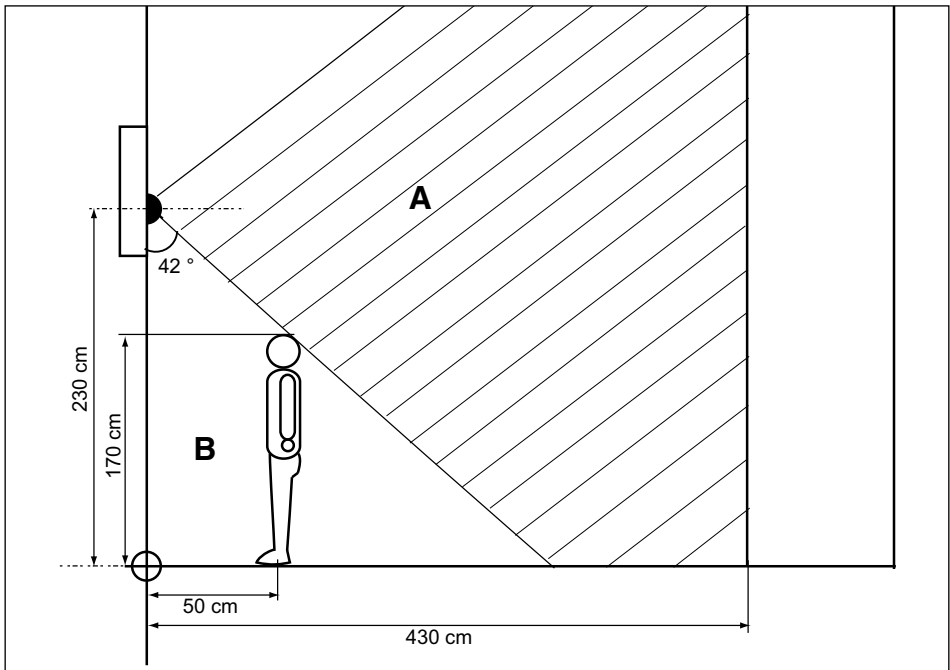
PIR Fonksiyonu

Λειτουργία PIR

Работа датчика PIR

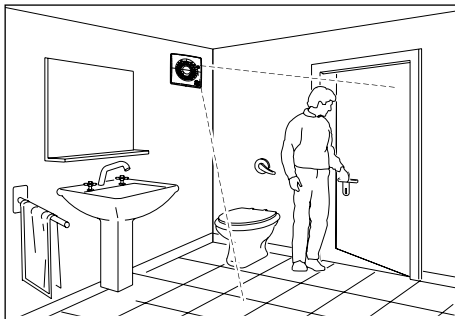
PIR تشغيل

PIR的运作



- IT** A - Area rilevamento presenza
B - Area cieca
- EN** A - Presence detection area
B - Blind area
- FR** A - Zone de détection de présence
B - Zone aveugle
- DE** A - Erfassungsbereich
B - Blindbereich
- ES** A - Área de detección de presencia
B - Área ciega
- PT** A - Área de detecção de presença
B - Área cega
- NL** A - Gebied waarneming aanwezigheid
B - Blind gebied
- SV** A - Område där närvaron av en person känns av
B - Blindområde
- DA** A - Område for registrering af tilstedeværelse
B - Blindt område
- FI** A - Obszar wykrywania obecności
B - Obszar ślepy

- PL** A - Obszar wykrywania obecności
B - Obszar ślepy
- HU** A - lásnáolon havaintoalue
B - sokea alue
- CS** A - Prostor zjištění přítomnosti osoby
B - Slepý prostor
- RO** A - Zonă detectare prezență
B - Zonă "oarbă"
- HR** A - Područje očitavanja prisustva
B - Sljepi kut
- SL** A - Področje zaznave prisotnosti
B - Mrtvi kot
- TR** A - Tespit alanı
B - Kör alan/nokta
- EL** A - Περιοχή ανίχνευσης παρουσίας
B - Τυφλή περιοχή
- RU** A - Зона контроля присутствия
B - Мертвая зона
- AR** منطقة الكشف عن الوجود **A**
منطقة مغلقة **B**
- ZH** A - 人员存在感测区域
B - 盲区



INSTALLAZIONE - REGOLAZIONE TIMER

Installation - Adjusting the timer

Installation - Réglage timer

Installation - Einstellung des Timers

Instalación - Regulación programador

Instalação - Regulação do temporizador

Installatie - Afstelling timer

Installation - Reglering timer

Installation - Justering af timer

Asennus - Ajastimen asettaminen

Instalacja - Regulacja timera

Beszerelés - A timer beállítás

Instalace - Seřízení časového spínače

Instalare - Reglare timer

Postavljanje - Podešavanje timera

Namestitev - Reguliranje timerja

Kurma - Timer ayarlaması

Εγκατάσταση - Ρύθμιση χρονοδιακόπτη

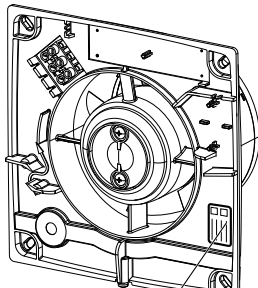
Установка - Настройка таймера

التركيب - ضبط المؤقت

安装 - 定时器调节

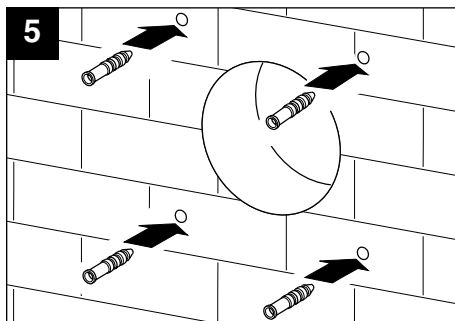
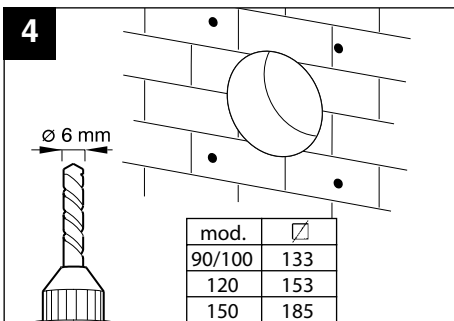
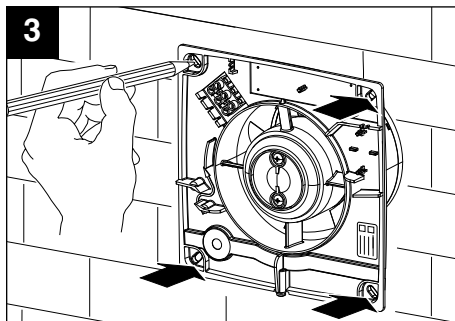
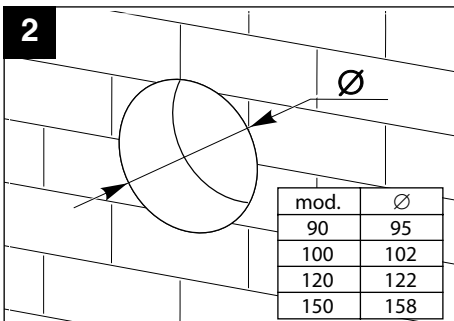
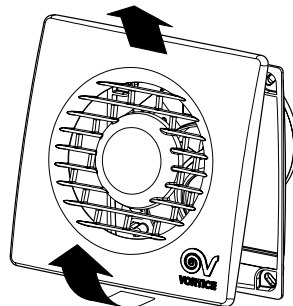
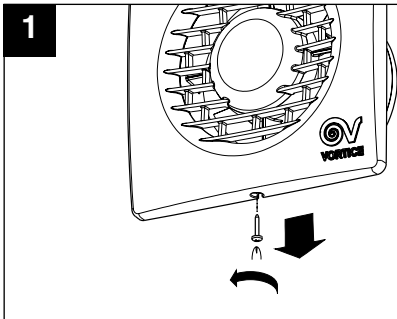


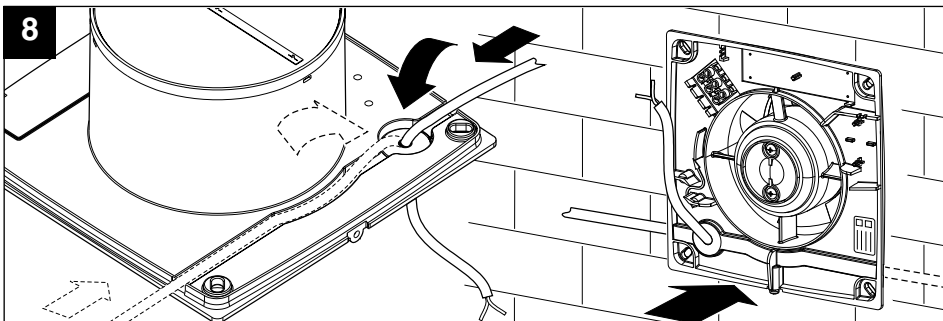
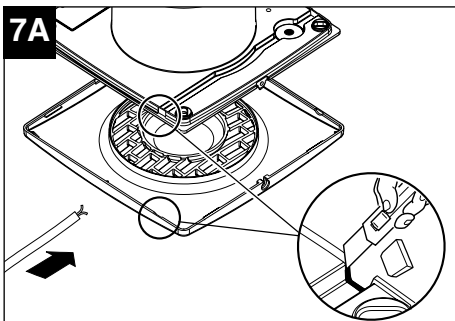
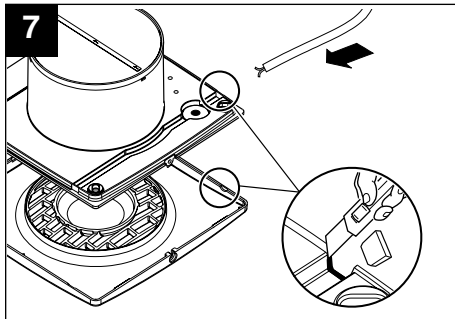
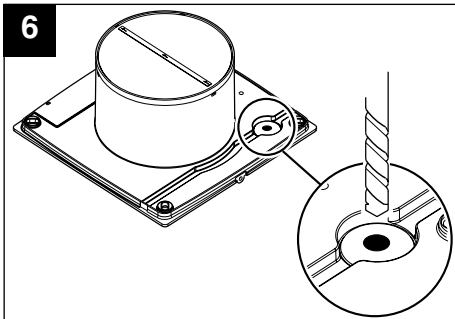
- I dati elettrici della rete devono corrispondere a quelli riportati in targa A.
- Check that the power supply specifications comply with the electrical data on data plate A.
- Les données électriques du réseau doivent correspondre à celles inscrites sur la plaque A.
- Die elektrischen Daten der Netzversorgung müssen den auf Schild A angegebenen Daten entsprechen.
- Los datos eléctricos de la red deben coincidir con los de la placa de características A.
- Os dados eléctricos da rede devem corresponder aos mencionados na placa A.

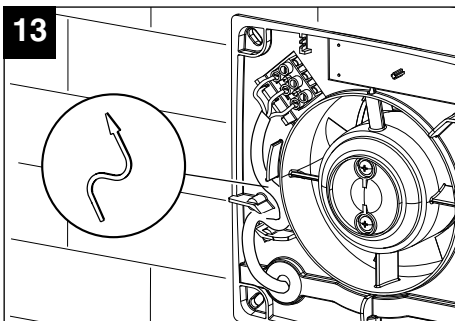
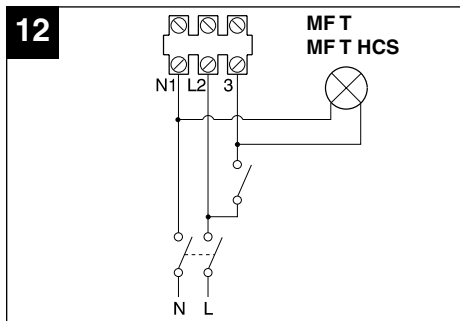
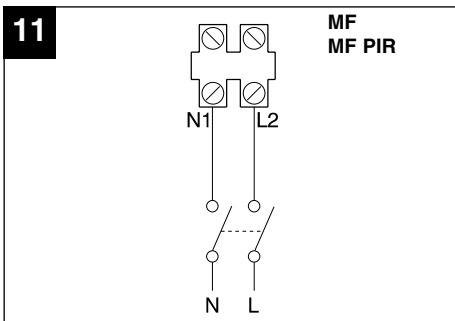
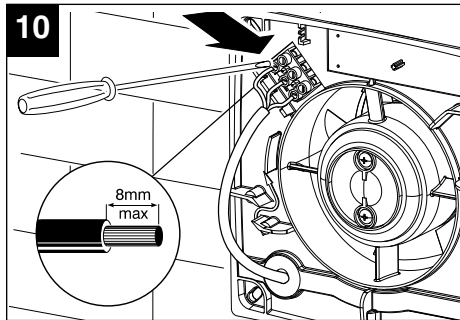
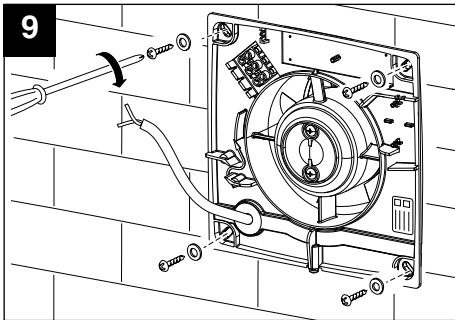


A

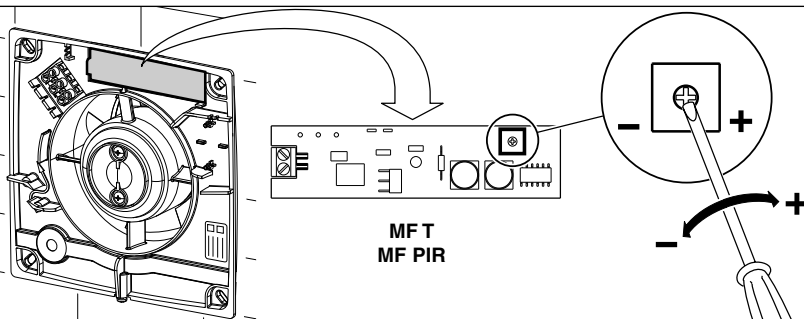
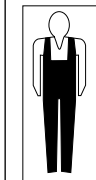
- De elektrische gegevens van het lichtnet moeten overeenkomen met die van het merkplaatje A.
 - Elnätets data måste överensstämma med de data som finns på skylten A.
 - Forsyningsnettets elektriske specifikationer skal svare til specifikationerne på typepladen A.
 - Verkkovirran sähköarvojen tulee vastata laitteen kilvessä A mainittuja tietoja.
 - Dane elektryczne sieci powinny odpowiadać danym podanym na tabliczce znamionowej A.
 - Az elektromos hálózati adatai meg kell feleljenek az A. adattáblán megadott adatoknak.
 - Parametry elektrické sítě musí odpovídat údajům uvedeným na typovém štítku A.
 - Parametrii electrici ai rețelei trebuie să corespundă cu cei de pe plăcuța A.
 - Električni podatki mreže morajo odgovarati onima na pločici A.
 - Podatki električnega omrežja morajo biti skladni s tistimi, ki so navedeni na tablici A.
- Şebekenin elektrik verileri ile A plakasında belirtilenler uyumlu olmalıdır.
 - Τα ηλεκτρικά χαρακτηριστικά του δικτύου πρέπει να αντιστοιχούν με εκείνα της πινακίδας A.
 - Параметри електрической сети должны соответствовать приведенным на табличке номинальных данных A.
 - المعطيات الكهربائية للشبكة يجب أن تتوافق مع لوحة الجهاز A
 - 供电网络的电气数据必须与标牌A上指出的相符。





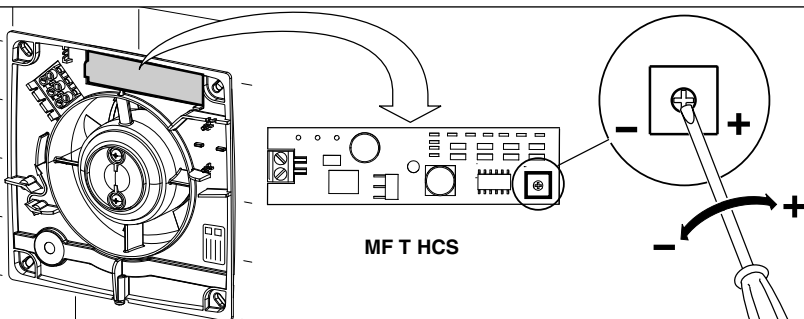
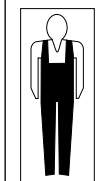


14A



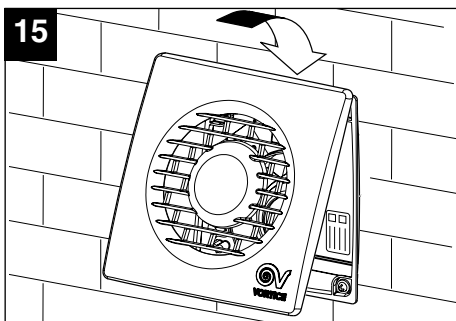
MFT
MF PIR

14B

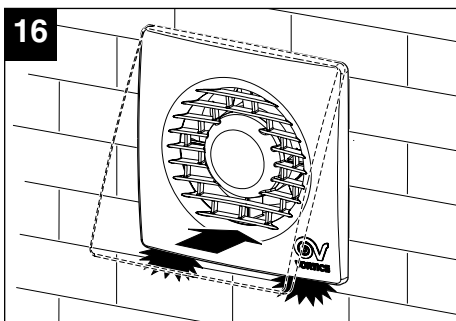


MFT HCS

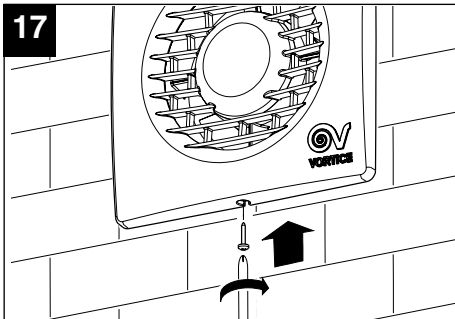
15



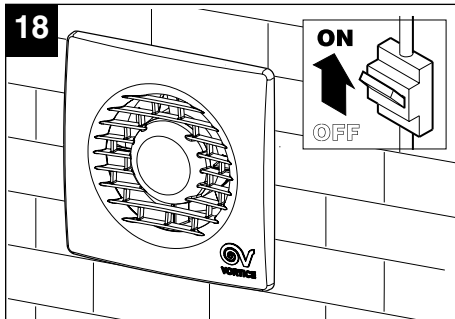
16



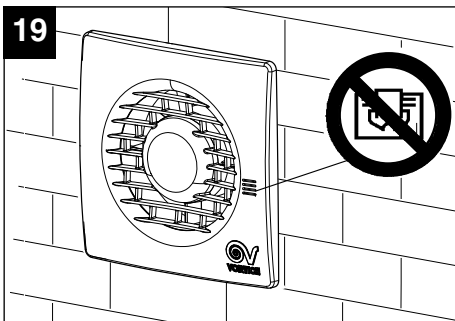
17



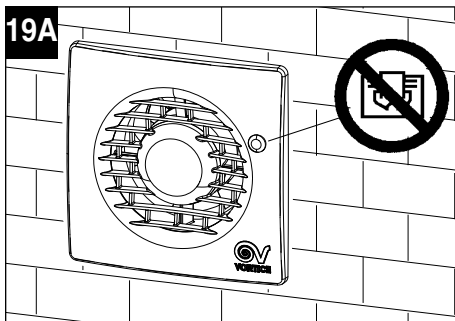
18



19



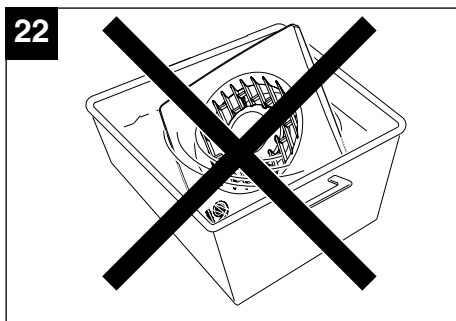
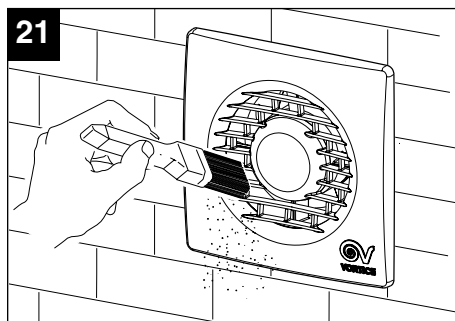
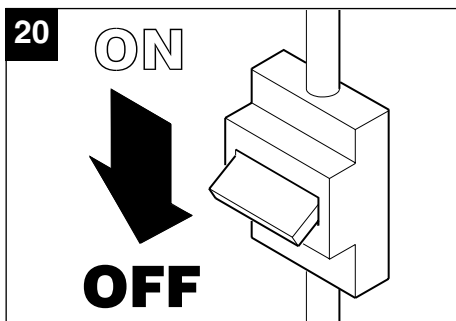
19A



MANUTENZIONE / PULIZIA

Maintenance / Cleaning
Maintenance / Nettoyage
Wartung / Reinigung
Mantenimiento / Limpieza
Manutenção / Limpeza
Onderhoud / Reiniging
Underhåll / Rengöring
Vedligeholdelse / Rengøring
Huolto / Puhdistus
Konservacja / Czyszczenie

Karbantartás / Tisztítás
Čištění / Údržba
Întreținere / Curățare
Održavanje / Čišćenje
Vzdrževanje / Čiščenje
Bakım / Temizlik
Συντήρηση / Καθαρισμός
Техническое обслуживание / Чистка
الصيانة \ التنظيف
保養 / 清潔



- IT** La manutenzione e le attività di pulizia dell'apparecchio che ne richiedono lo smontaggio dovranno essere eseguite da personale professionalmente qualificato.
- EN** Maintenance and cleaning operations that require disassembly of the appliance must be carried out by professionally qualified personnel. Before performing cleaning or maintenance operations, disconnect the device from the mains.
- FR** La maintenance et les activités de nettoyage de l'appareil qui en exigent le démontage devront être effectuées par du personnel professionnellement qualifié.
- DE** Die Wartung und Reinigung des Gerätes, die eine Demontierung des Gerätes erfordern, dürfen nur durch qualifiziertes Fachpersonal durchgeführt werden.
- ES** El mantenimiento y las actividades de limpieza del aparato que requieran su desmontaje deben ser realizadas por personal profesional cualificado.
- PT** A manutenção e as actividades de limpeza do aparelho que requerem desmontagem deverão ser efectuadas por pessoal profissional qualificado.
- NL** Onderhouds- en reinigingswerkzaamheden waarvoor het apparaat gedemonteerd moet worden, mogen uitsluitend door vakkundig gekwalificeerd personeel worden uitgevoerd.
- SV** Underhållet och rengöringen av apparaten som fordrar att den demonteras får endast utföras av auktoriserad personal.
- DA** Vedligeholdelse og rengøring af apparatet, der kræver, at det demonteres, skal udføres af sagkyndigt personale.
- FI** Laitteen purkamista vaativat huolto- ja puhdistustoimenpiteet on annettava ammattitaitoisen henkilöstön tehtäväksi.
- PL** Konserwacja oraz czynności czyszczenia urządzenia wymagające demontażu powinny być wykonywane przez osoby posiadające odpowiednie kwalifikacje zawodowe.
- HU** Azokát a karbantartási és tisztítási műveleteket, amelyekhez a berendezést szét kell szerelni, szakképzett szakember kell, hogy végezze.
- CS** Údržba a čistění přístroje, při kterém je nutná jeho demontáž, smí provádět pouze odborně kvalifikovaný pracovník.
- RO** Operațiunile de întreținere și de curățare a aparatului care necesită demontarea acestuia trebuie să fie efectuate de personal calificat profesional.
- HR** Održavanje, kao i radnje čišćenja uređaja koje zahtijevaju njegovo rasklapanje, smije obavljati stručno, kvalificirano osoblje.
- SL** Posege vzdrževanja in čiščenja naprave, ki zahtevajo delno razstavitev, mora izvesti strokovno usposobljeno osebje.
- TR** Cihazın sökölmesini gerekirecek temizlik ve bakım işlemleri profesyonel yeterliliği olan birisi tarafından yapılmalıdır.
- EL** Η συντήρηση και οι ενέργειες καθαρισμού που απαιτούν την αποσυναρμολόγηση της συσκευής πρέπει να εκτελούνται από εξειδικευμένο προσωπικό.
- RU** Операции по чистке или техобслуживанию аппарата, требующие его демонтажа, должны выполняться квалифицированными специалистами.
- AR** جميع عمليات الصيانة والتنظيف التي تتطلب الفك، يجب أن يتم القيام بها حرفياً (تقنياً).
- ZH** 需要拆除部件的设备保养和清洁操作均须合格的专业人员进行。

IN CERTAIN EUROPEAN UNION COUNTRIES THIS PRODUCT DOES NOT FALL WITHIN THE REQUIREMENTS OF THE NATIONAL LAWS IMPLEMENTING THE WEEE DIRECTIVE , AND IN THESE COUNTRIES THE PRODUCT IS NOT SUBJECT TO SEPARATE DISPOSAL OPERATIONS AT THE END OF ITS WORKING LIFE.

Important

This product conforms to EU Directive 2002/96/EC.

This appliance bears the symbol of the barred waste bin. This indicates that, at the end of its useful life, it must not be disposed of as domestic waste, but must be taken to a collection centre for waste electrical and electronic equipment, or returned to a retailer on purchase of a replacement.



It is the user's responsibility to dispose of this appliance through the appropriate channels at the end of its useful life. Failure to do so may incur the penalties established by laws governing waste disposal.

Proper differential collection, and the subsequent recycling, processing and environmentally compatible disposal of waste equipment avoids unnecessary damage to the environment and possible related health risks, and also promotes recycling of the materials used in the appliance.

For further information on waste collection and disposal, contact your local waste disposal service, or the shop from which you purchased the appliance.

Manufacturers and importers fulfil their responsibilities for recycling, processing and environmentally compatible disposal either directly or by participating in collective systems.

DANS CERTAINS PAYS DE L'UNION EUROPÉENNE, CE PRODUIT NE FAIT PAS PARTIE DU DOMAINE D'APPLICATION DE LA LOI NATIONALE D'ASSIMILATION DE LA DIRECTIVE DEEE ET PAR CONSÉQUENT, IL N'Y EXISTE AUCUNE OBLIGATION DE COLLECTE DIFFÉRENCIÉE À LA FIN DE SA DURÉE DE VIE.

Attention

Ce produit est conforme à la directive EU 2002/96/EC.

Le symbole représentant une poubelle barrée présent sur l'appareil indique qu'à la fin de son cycle de vie, il devra être traité séparément des déchets domestiques. Il devra donc être confié à un centre de collecte sélective pour appareils électriques et électroniques ou rapporté au revendeur lors de l'achat d'un nouvel appareil.



L'utilisateur est responsable de la remise de l'appareil usagé aux structures de collecte compétentes sous peine des sanctions prévues par la législation sur l'élimination des déchets.

La collecte sélective réalisée avant le recyclage, le traitement et l'élimination compatible avec l'environnement de l'appareil usagé contribue à éviter les nuisances pour l'environnement et pour la santé et favorise le recyclage des matériaux qui composent le produit.

Pour de plus amples informations concernant les systèmes de collecte existants, adressez-vous au service local d'élimination des déchets ou au magasin qui vous a vendu l'appareil.

Les fabricants et les importateurs optent pour leur responsabilité en matière de recyclage, de traitement et d'élimination des déchets compatible avec l'environnement directement ou par l'intermédiaire d'un système collectif.



La Vortice S.p.A. si riserva di apportare tutte le varianti migliorative ai prodotti in corso di vendita.

Vortice S.p.A. reserves the right to make improvements to products at any time and without prior notice.

La société Vortice S.p.A. se réserve le droit d'apporter toute modification utile à l'amélioration de ses produits en cours de commercialisation.

Die Firma Vortice S.p.A. behält sich vor, alle eventuellen Verbesserungsänderungen an den Produkten des Verkaufsangebots vorzunehmen.

Vortice S.p.A. se reserva el derecho de incorporar todas las mejoras necesarias a los productos en fase de venta.

A Vortice S.p.A. reserva-se o direito de efectuar melhoramentos aos produtos durante a venda.

Vortice S.p.A. behoudt zich het recht voor elke gewenste verbetering aan te brengen in reeds op de markt gebrachte producten.

Vortice S.p.A. förbehåller sig rätten att under försäljning tillföra alla ändringar som förbättrar produkterna

Vortice S.p.A. forbeholder sig ret til at foretage forbedringer på produkter, som allerede er i handlen.

Vortice S.p.A. pidättää oikeuden tehdä parannuksia myynnissä oleviin tuotteisiinsa.

Firma Vortice S.p.A. zastrzega sobie prawo do wprowadzania ulepszeń do sprzedawanych produktów.

A Vortice S.p.A. fenntartja a jogot, hogy az értékesítés alatt álló termékeknél bármilyen javító változtatást bevezessen.

Podnik Vortice S.p.A. si vyhrazuje právo na zlepšovaci úpravy svých výrobků v průběhu prodeje.

Firma Vortice S.p.A. își rezervă dreptul de a aduce toate îmbunătățirile produselor în curs de vânzare.

Družba Vortice S.p.A. si pridržuje vse pravice do morebitnih izboljšav izdelkov v prodaji.

Tvrtka "Vortice S.p.A." zadržava pravo unošenja promjena u svrhu poboljšanja proizvoda u prodaji.

Vortice S.p.A. şirketi, satışa sunulan ürünlerinde tüm düzeltici değışiklikleri yapma hakkını saklı tutar.

Η Vortice S.p.A διατηρεί το δικαίωμα να πραγματοποιεί βελτιωτικές τροποποιήσεις στα προϊόντα της που βρίσκονται στην αγορά.

Фирма Vortice S.p.A оставляет за собой право вносить все возможные улучшения в конструкцию находящегося в данный момент в продаже изделия.

تحفظ مؤسسة Vortice S.p.A بحق إجراء كافة التعديلات التحسينية على منتجاتها المطروحة في الأسواق.

Vortice股份有限公司保留在产品销售期间进行产品改良的权利。