

Convactor Heaters PLX/TI and PLX-SPL/TI Models with 24 hour Timer

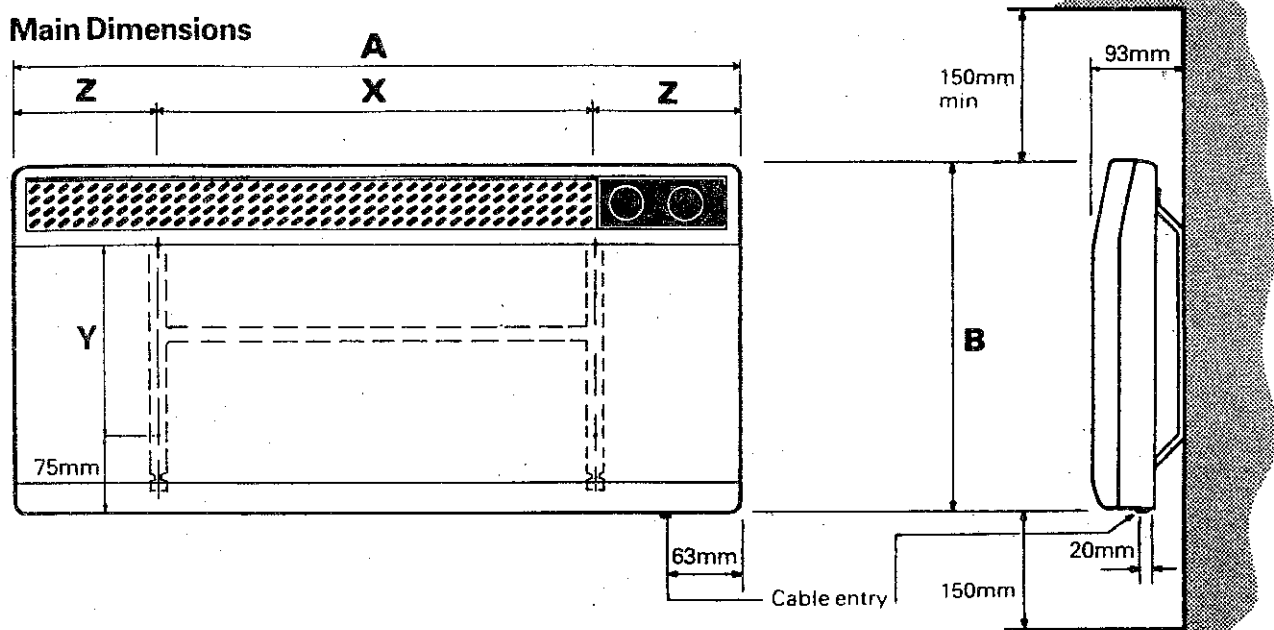
BEAB
Approved

IMPORTANT

INSTALLER AND USER PLEASE NOTE – These instructions should be read carefully and left with the USER of the heater for future reference.

IF THE HEATER IS SPLASHPROOF THIS WILL BE INDICATED BY THE SYMBOL  ON THE RATING LABEL ON THE REAR OF THE HEATER AND THE MODEL NUMBER SUFFIX – SPL

Main Dimensions



	Watts	millimetres				
		A	B	X	Y	Z
PLX075SPL/TI	750	444	420	188	210	128
PLX125SPL/TI	1250	614	420	358	210	128
PLX150/TI and PLX150SPL/TI	1500	682	420	358	210	162
PLX200/TI and PLX200SPL/TI	2000	852	420	528	210	162

To wall-mount

IMPORTANT

The wall brackets supplied with the appliance **must** be used. Location of the wall brackets is facilitated by the notch centrally positioned on the wall bracket spacer bar.

- 1 Fix wall bracket to wall using screw holes provided.
- 2 Fig. I. Present heater to wall bracket.
- 3 Fig. II. Locate heater on wall bracket.
- 4 Fig. III. Hinge heater to upright position and locate chains in holes in back panel.
- 5 Fig. IV. Locate heater on wall bracket top.

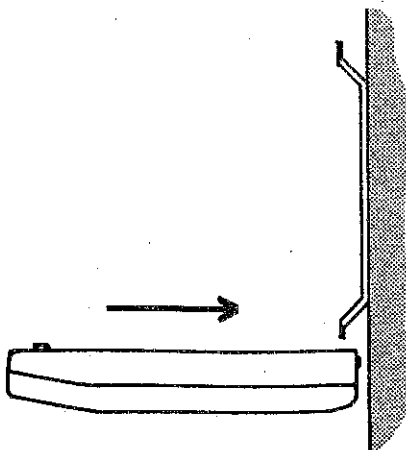


fig. I

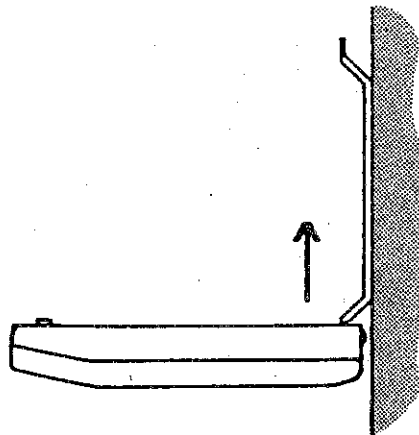


fig. II

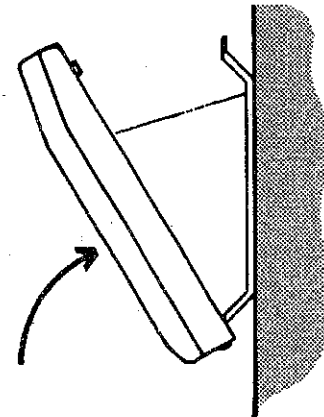


fig. III

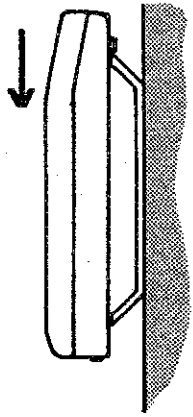
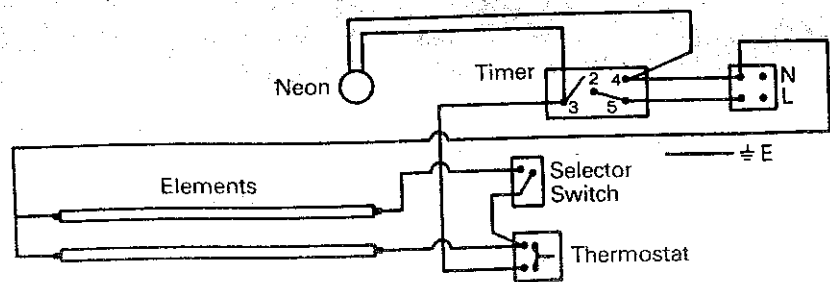


fig. IV

Electrical/Wiring diagram



The voltage of each appliance is shown on its identity label. It must only be used on an a.c. electricity supply having the same voltage.

WARNING: THIS APPLIANCE MUST BE EARTHED

IMPORTANT

The wires in the mains lead are coloured in accordance with the following code:

GREEN and YELLOW: EARTH
 BLUE: NEUTRAL
 BROWN: LIVE

As the colours of the wires in the mains lead of this appliance may not correspond with the coloured markings identifying the terminals in your plug, proceed as follows:

The wire which is coloured green and yellow must be connected to the terminal in the plug which is marked with the letter E or by the earth symbol \perp or coloured green or green and yellow. The wire which is coloured blue must be connected to the terminal which is marked with the letter N or coloured black. The wire which is coloured brown must be connected to the terminal which is marked with the letter L or coloured red. This appliance must only be used on A.C. mains supply. 240 Volts \sim .

If your installation is fitted with 2-pin sockets, consult your electrician.

BATHROOM INSTALLATIONS

If the heater is installed in a room containing a bath or shower the electrical installation must be carried out by a competent electrician and be in strict accordance with current I.E.E. regulations for Electrical Equipment in Buildings.

IMPORTANT: If the heater is a 750W or 1250W Model it is BEAB approved to splashproof standards. If the heater is a 1500W or 2000W model and carries the symbol \triangle on the rating label on the rear panel it is BEAB approved to splashproof standards. **IF IT DOES NOT CARRY THIS SYMBOL IT IS NOT APPROVED TO SPLASHPROOF STANDARDS.**

PLEASE NOTE:

If the heater is splashproof an auxiliary earth terminal is provided on the rear panel of the heater for equipotential bonding. This is mandatory in bathroom installations.

USER INSTRUCTIONS

WARNING – THE SURFACE OF THIS HEATER CAN BE HOT

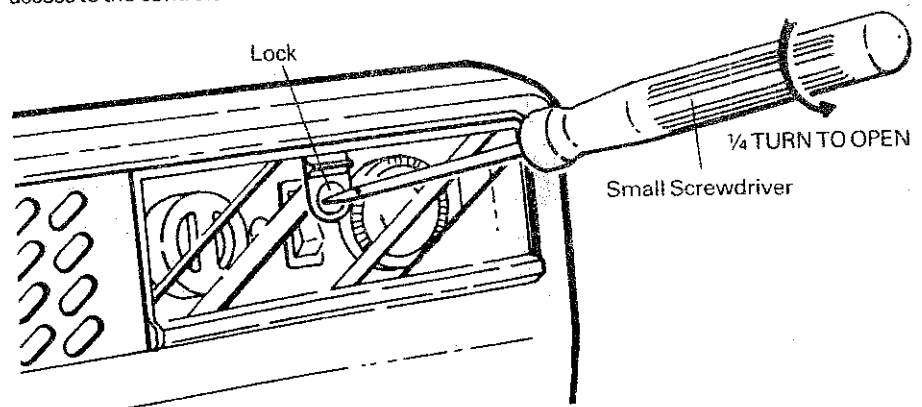
The surface temperatures of this heater are within the requirements of BS3456, and momentary contact with any part of the heater should not cause injury.

However, aged or infirm persons, or young children should not be left unsupervised in the vicinity of the heater unless a suitable guard is fitted.

The controls cover on your new heater has a latch which may be locked shut if desired using a small bladed screwdriver.

To open the cover insert the blade of the screwdriver in the small slot and rotate a quarter of a turn anticlockwise to disengage the latch. The cover may then be hinged forward for access to the controls.

Access to the controls



IMPORTANT: To comply with the IEE Regulations the control cover should be kept locked shut if the heater is within reach of a fixed bath or shower.

Do not cover the heater

The air circulation around the heater **MUST NOT BE OBSTRUCTED**, for instance by curtains or garments.

ON NO ACCOUNT SHOULD ANY PART OF THE HEATER BE COVERED BY TOWELS OR GARMENTS.

(96335)

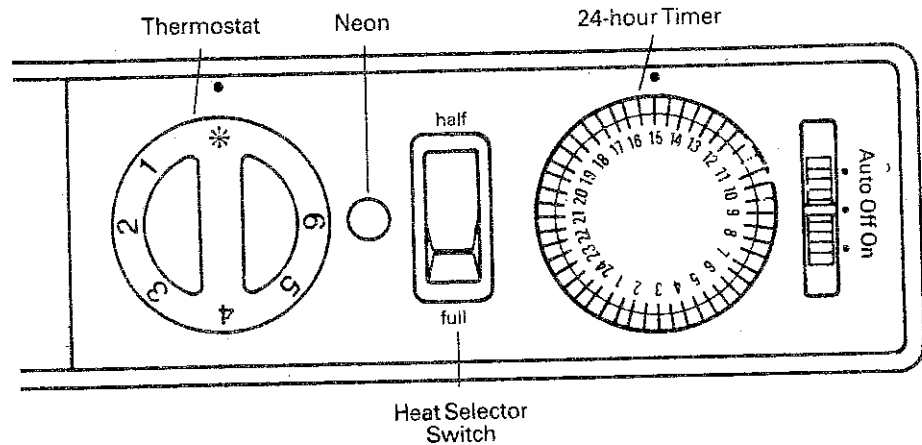
SEAB
proved

he

SPL

Control of Room Temperature

The thermostat is used to control the level of air temperature achieved in the room. The thermostat control knob is marked * and 1-6. The higher the number to which the knob is set the higher is the room temperature selected. The * setting represents a room temperature of approximately 5°C and may be used for protection against frost. The other settings range up to a maximum room temperature of approximately 35°C. These room temperatures will be achieved only if the correct size of heater has been selected for the room to be heated, and for the anticipated weather conditions.



Selection of heater output

A half/full heat selector switch is provided. When this is set to "half" the heater will operate at half the maximum rated output.

Setting your comfort level

To determine the thermostat setting which provides your room temperature requirements switch on the heater by moving the slide switch to the ON position, and turn the knob to number 6. When the room has reached the desired temperature, turn the knob back slowly until it just clicks. The thermostat will then switch the heater on, and off automatically to maintain the desired level of comfort.

Please note

If the temperature of the room is above the level set on the thermostat knob, the heater will not emit heat. It does not mean the heater is faulty. If heat is required under these circumstances the thermostat knob should be turned to a higher setting.

Neon Indicator

A neon indicator light shows when the slide switch is in the ON position, or in the AUTO position with the heating programme switched ON by the timer (see below). The neon will remain lit whether or not the thermostat has switched off the electricity supply to the heating elements. If the heater is not connected to the electricity supply, OR if the slide switch is in the OFF position, the neon will not be illuminated.

Please note

It is possible that the heater is **NOT** providing heat when the neon is illuminated because the thermostat may have switched off the electricity supply to the heating elements.

Using the timer

The heater must be connected to the electricity supply for the timer to operate. The timer should be set by rotating the dial clockwise until the correct time is indicated against the marker at the top of the dial face.

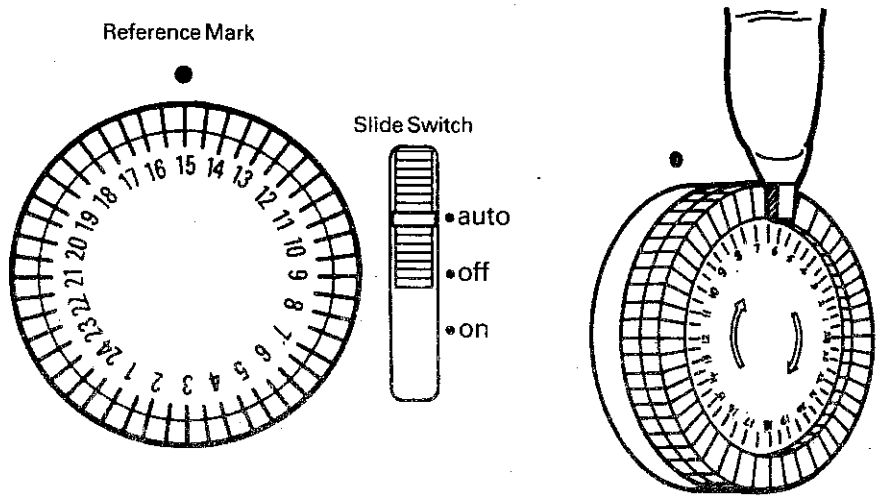
Z
128
128
162
162

ket

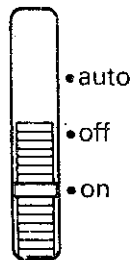
Automatic Operation

When the heater is required to switch 'on' and 'off' automatically at pre-determined times, the following procedure should be adopted:

1. Slide the timer selector switch to the AUTO position.
2. Select the time you require the heater to come 'on' by pulling forward the appropriate half hour segments around the edge of the timer. This will expose a white band around the edge of the timer. Each segment will provide heat for 30 minutes, so if heating is required for, say a 2-hour period, 4 adjacent segments will need to be pulled forward.

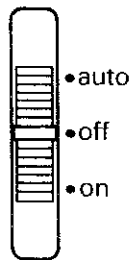


Manual Operation



If heating is required unexpectedly, i.e. when the heater is programmed to be off, moving the slide switch to the 'ON' position will immediately switch the heater on (dependent on the thermostat setting) irrespective of the programme set on the timer. It will not affect the pre-set programme, and the heater will remain on (controlled by the thermostat) until the slide switch is moved from the ON position. With the slide switch returned to the AUTO position the heater will return to operation on the pre-set programme.

Heater off, Timer on



If the user requires the heater to be switched off, but for the timer to continue to keep the pre-set programme in "memory" the slide switch should be moved to the 'off' position. The mains supply to the heater should be left switched on.

Important: Do not cover the appliance.

Cleaning

Before cleaning your convector, first switch off and allow it to cool. The outside can be cleaned by wiping it over with a damp cloth and then dried. Do not use abrasive cleaning powders.

To gain access to the inside, first disconnect the appliance from the electricity supply. Then remove the front panel by undoing the screws along the bottom edge and lift off. After cleaning the inside, replace front panel and secure with screws.

Guarantee

Your Dimplex Convector is guaranteed for one year from date of purchase. We undertake to exchange or repair free of charge within this period any part found to be defective due to a manufacturing fault. This guarantee in no way prejudices your rights under common law. Should you require after sales service, please get in touch with the supplier through whom you purchased the appliance, or contact your nearest Dimplex Service Agent. Please do not initially return a faulty appliance or part of an appliance to us as this may result in transit damage and/or delay in providing service. Let us know your difficulty, quoting the model number and series letter of the appliance we will then take the appropriate action.