

CONTENTS

| | |
|-----------------------------|----|
| 1. SAFETY INFORMATION..... | 3 |
| 2. SAFETY INSTRUCTIONS..... | 4 |
| 3. PRODUCT DESCRIPTION..... | 5 |
| 4. CONTROL PANEL..... | 6 |
| 5. PROGRAMME CHART..... | 7 |
| 6. CONSUMPTION VALUES..... | 9 |
| 7. OPTIONS..... | 10 |
| 8. SETTINGS..... | 11 |
| 9. BEFORE FIRST USE..... | 11 |
| 10. DAILY USE..... | 11 |
| 11. HINTS AND TIPS..... | 15 |
| 12. CARE AND CLEANING..... | 16 |
| 13. TROUBLESHOOTING..... | 20 |
| 14. TECHNICAL DATA..... | 22 |

FOR PERFECT RESULTS

Thank you for choosing this AEG product. We have created it to give you impeccable performance for many years, with innovative technologies that help make life simpler features you might not find on ordinary appliances. Please spend a few minutes reading to get the very best from it.

Visit our website for:



Get usage advice, brochures, trouble shooter, service information:
www.aeg.com



Register your product for better service:
www.registeraeg.com



Buy Accessories, Consumables and Original spare parts for your appliance:
www.aeg.com/shop

CUSTOMER CARE AND SERVICE

Always use original spare parts.

When contacting our Authorised Service Centre, ensure that you have the following data available: Model, PNC, Serial Number.

The information can be found on the rating plate.

 Warning / Caution-Safety information

 General information and tips

 Environmental information

Subject to change without notice.

1. SAFETY INFORMATION

Before the installation and use of the appliance, carefully read the supplied instructions. The manufacturer is not responsible if an incorrect installation and use causes injuries and damages. Always keep the instructions with the appliance for future reference.

1.1 Children and vulnerable people safety

- This appliance can be used by children aged from 8 years and above and persons with reduced physical, sensory or mental capabilities or lack of experience and knowledge if they have been given supervision or instruction concerning use of the appliance in a safe way and understand the hazards involved.
- Do not let children play with the appliance.
- Children of less than 3 years should be kept away unless continuously supervised.
- Keep all packaging away from children.
- Keep all detergents away from children.
- Keep children and pets away from the appliance door when it is open.
- Cleaning and user maintenance shall not be made by children without supervision.

1.2 General Safety

- Do not change the specification of this appliance.
- Obey the maximum load volume of 7 kg (refer to the "Programme chart" chapter).
- The operating water pressure (minimum and maximum) must be between 0,5 bar (0,05 MPa) and 8 bar (0,8 MPa).
- The ventilation openings in the base (if applicable) must not be obstructed by a carpet.
- The appliance is to be connected to the water mains using the new supplied hose-sets. Old hose sets must not be reused.

- If the supply cord is damaged, it must be replaced by the manufacturer, its Authorised Service Centre or similarly qualified persons in order to avoid a hazard.
- Before maintenance, deactivate the appliance and disconnect the mains plug from the mains socket.
- Do not use water spray and steam to clean the appliance.
- Clean the appliance with a moist soft cloth. Only use neutral detergents. Do not use abrasive products, abrasive cleaning pads, solvents or metal objects.

2. SAFETY INSTRUCTIONS

2.1 Installation

- Remove all the packaging and the transit bolts.
- Keep the transit bolts. When you move the appliance again you must block the drum.
- Always be careful when you move the appliance because it is heavy. Always wear safety gloves.
- Do not install or use a damaged appliance.
- Obey the installation instruction supplied with the appliance.
- Do not install or use the appliance where the temperature is less than 0 °C or where it is exposed to the weather.
- Make sure that the floor where you install the appliance is flat, stable, heat resistant and clean.
- Make sure that there is air circulation between the appliance and the floor.
- Adjust the feet to have the necessary space between the appliance and the carpet.
- Do not install the appliance where the appliance door can not be fully opened.

2.2 Electrical connection

- The appliance must be earthed.
- Always use a correctly installed shockproof socket.
- Make sure that the electrical information on the rating plate agrees

with the power supply. If not, contact an electrician.

- Do not use multi-plug adapters and extension cables.
- Make sure not to cause damage to the mains plug and to the mains cable. Should the mains cable need to be replaced, this must be carried out by our Authorised Service Centre.
- Connect the mains plug to the mains socket only at the end of the installation. Make sure that there is access to the mains plug after the installation.
- Do not touch the mains cable or the mains plug with wet hands.
- Do not pull the mains cable to disconnect the appliance. Always pull the mains plug.
- Only for UK and Ireland: The appliance has a 13 amp mains plug. If it is necessary to change the fuse in the mains plug, use a 13 amp ASTA (BS 1362) fuse.
- This appliance complies with the E.E.C. Directives.

2.3 Water connection

- Make sure not to cause damage to the water hoses.
- Before you connect the appliance to new pipes or pipes not used for a long time, let the water flow until it is clean.
- The first time you use the appliance, make sure that there is no leakage.

2.4 Use



WARNING!

Risk of injury, electrical shock, fire, burns or damage to the appliance.

- Use this appliance in a household only.
- Obey the safety instructions on the detergent packaging.
- Do not put flammable products or items that are wet with flammable products in, near or on the appliance.
- Make sure that you remove all metal objects from the laundry.
- Do not put a container to collect possible water leakage under the appliance. Contact the Authorised Service Centre to ensure which accessories can be used.

- Do not touch the glass of the door while a programme operates. The glass can be hot.

2.5 Service

- To repair the appliance contact an Authorised Service Centre.
- Use original spare parts only.

2.6 Disposal



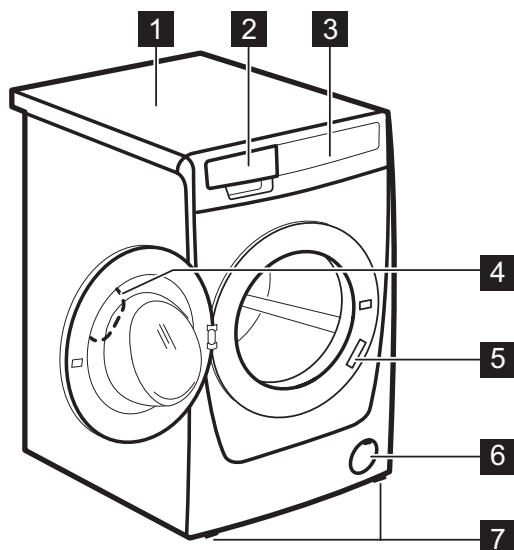
WARNING!

Risk of injury or suffocation.

- Disconnect the appliance from the mains supply.
- Cut off the mains cable and discard it.
- Remove the door catch to prevent children and pets to get closed in the appliance.

3. PRODUCT DESCRIPTION

3.1 Appliance overview



- 1** Worktop
- 2** Detergent dispenser
- 3** Control panel
- 4** Door handle
- 5** Rating plate
- 6** Drain pump filter
- 7** Feet for the appliance level

3.2 Installation on suspended flooring

Suspended wooden floors are particularly susceptible to vibration.

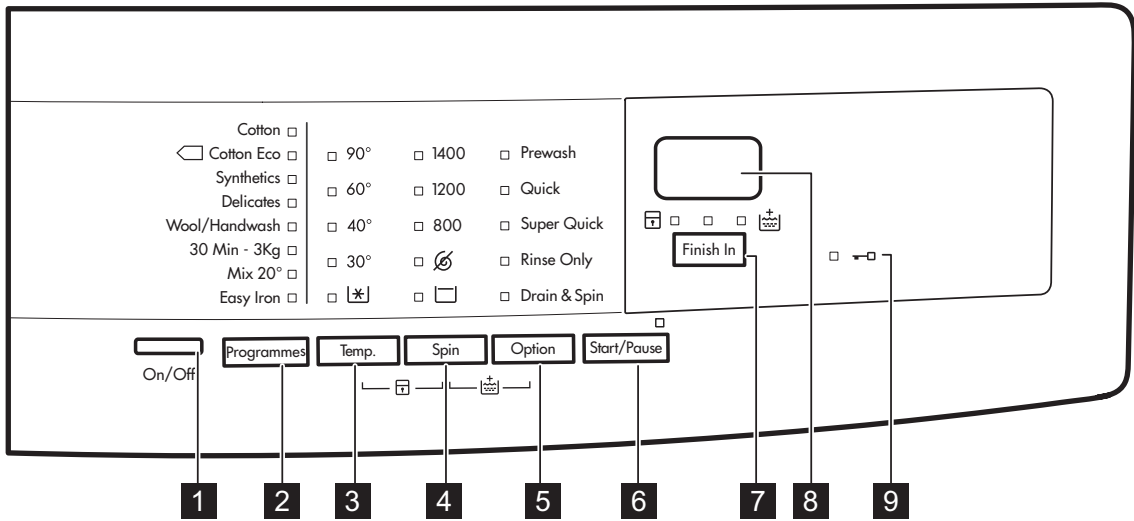
To help prevent vibration we recommend you place a waterproof wood panel, at least 15 mm thick under

the appliance, secured to at least 2 floor beams with screws, the wood panel must extend beyond the front feet.

If possible install the appliance in one of the corners of the room, where the floor is more stable.

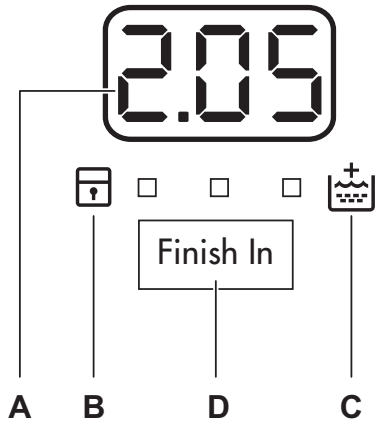
4. CONTROL PANEL

4.1 Control panel description



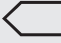
- 1** On/Off button (**On/Off**)
- 2** Programme selection touchpad (**Programmes**)
- 3** Temperature selection touchpad (**Temp.**)
- 4** Spin selection touchpad (**Spin**)
- 5** Options selection touchpad (**Option**)
- 6** Start/Pause touchpad (**Start/Pause**)
- 7** Finish In touchpad (**Finish In**)
- 8** Display
- 9** Door locked indicator (→□)

4.2 Display



- A)** The time area:
 - 1.25: the programme duration
 - 3h: the "finish in" time
 - E20: the alarm codes
 - Err: the message of error
 - 0: the programme is completed.
- B)** The child lock indicator:
 - The indicator comes on when you activate this device.
- C)** The extra rinse indicator:
 - The indicator comes on when you activate this option.
- D)** The Finish In touchpad.

5. PROGRAMME CHART

| Programme Temperature range | Programme description (Type of load and soil level) Maximum load Maximum spin speed |
|---|---|
| Cotton 90 °C - Cold | White cotton and coloured cotton. Normal soil and light soil. 7 kg; 1200 rpm for model L 68270FL,L 68270VFL; 1400 rpm for model L 68470FL,L 68470VFL |
|  Cotton Eco ¹⁾ 60 °C - 40 °C | White cotton and colour-fast cotton. Normal soil. The energy consumption decreases and the time of the washing programme is extended. 7 kg; 1200 rpm for model L 68270FL,L 68270VFL; 1400 rpm for model L 68470FL,L 68470VFL |
| Synthetics 60 °C - Cold | Synthetic items or mixed fabric items. Normal soil. 3 kg, 1200 rpm |
| Delicates 40 °C - Cold | Delicate fabrics as acrylics, viscose, polyester items. Normal soil. 3 kg, 1200 rpm |
| Wool/Handwash 40 °C - Cold | Machine washable wool, hand washable wool and delicate fabrics with «hand washing» care symbol. ²⁾ 2 kg, 1200 rpm |
| 30 Min - 3 Kg 30 °C | A short cycle for synthetics and delicate items with light soil level or for items to freshen up. 3 kg; 800 rpm |
| Mix 20° 20 °C | Special programme for cotton, synthetic and mixed fabrics with light soil. Set this programme to decrease the energy consumption. Make sure that the detergent is for low temperature in order to have good washing results ³⁾ . 2 kg; 1200 rpm |

| Programme Temperature range | Programme description (Type of load and soil level) Maximum load Maximum spin speed |
|--------------------------------|---|
| Easy Iron 60 °C - Cold | Synthetic items to be gentle washed. Normal and light soil. ⁴⁾ 1 kg; 800 rpm |

1) **Standard programmes for the Energy Label consumption values.** According to regulation 1061/2010, these programmes are respectively the «Standard 60°C cotton programme» and the «Standard 40°C cotton programme». They are the most efficient programmes in terms of combined energy and water consumption for washing normally soiled cotton laundry.



The water temperature of the washing phase may differ from the temperature declared for the selected programme.

2) During this cycle the drum rotates slowly to ensure a gentle washing. It can seem that the drum doesn't rotate or doesn't rotate properly. Consider this as a normal functioning of the appliance.

3) No temperature indicator is on .

4) To reduce the creases of the laundry, this cycle regulates the water temperature and performs a soft wash and spin phase. The appliance adds some rinses.

Programme options compatibility

| Programme | Spin | | | Prewash | Quick ¹⁾ | Super Quick ¹⁾ | Rinse Only | Drain & Spin | Finish In | |
|---------------|------|---|---|---------|---------------------|---------------------------|------------|--------------|-----------|---|
| Cotton | ■ | ■ | ■ | ■ | ■ | ■ | ■ | ■ | ■ | ■ |
| Cotton Eco | ■ | ■ | ■ | ■ | | ■ | ■ | ■ | ■ | ■ |
| Synthetics | ■ | ■ | ■ | ■ | ■ | ■ | ■ | ■ | ■ | ■ |
| Delicates | ■ | ■ | ■ | ■ | ■ | ■ | ■ | ■ | ■ | ■ |
| Wool/Handwash | ■ | ■ | ■ | | | | ■ | ■ | ■ | |
| 30 Min - 3 Kg | | ■ | | | | | ■ | ■ | ■ | |
| Mix 20° | ■ | ■ | ■ | | | | ■ | ■ | ■ | |
| Easy Iron | | ■ | ■ | ■ | ■ | ■ | ■ | ■ | ■ | ■ |

1) When you set this option, we recommend that you decrease the quantity of the laundry. It is possible to keep the full load but the washing results can be unsatisfactory. Recommended load: cotton: 3,5 kg, synthetics and delicates: 1,5 kg.

6. CONSUMPTION VALUES



The data of this table are approximate. Different causes can change the data: the quantity and type of laundry, the water and ambient temperature.



At programme start the display shows the duration programme for the maximum load capacity.

During the washing phase the programme duration is automatically calculated and can be greatly reduced if the laundry load is lower than the maximum load capacity (e.g. Cotton 60°C, maximum load capacity 7 kg, the programme duration exceeds 2 hours; real load 1 kg, the programme duration don't reach 1 hour).

When the appliance is calculating the real programme duration a dot blinks in the display.

| Programmes | Load (kg) | Energy consumption (kWh) | Water consumption (litre) | Approximate programme duration (minutes) | Remaining moisture (%) ¹⁾ |
|-----------------------------------|-----------|--------------------------|---------------------------|--|--------------------------------------|
| Cotton 60 °C | 7 | 1,34 | 68 | 157 | 53 ²⁾ / 52 ³⁾ |
| Cotton 40 °C | 7 | 0,78 | 61 | 157 | 53 ²⁾ / 52 ³⁾ |
| Synthetics 40 °C | 3 | 0,60 | 56 | 103 | 35 ²⁾ / 35 ³⁾ |
| Delicates 30 °C | 3 | 0,55 | 59 | 81 | 35 ²⁾ / 35 ³⁾ |
| Wool/Hand-wash 30 °C | 2 | 0,30 | 53 | 57 | 30 ²⁾ / 30 ³⁾ |
| Standard cotton programmes | | | | | |
| Standard 60 °C cotton | 7 | 0,92 | 45 | 250 | 53 ²⁾ / 52 ³⁾ |
| Standard 60 °C cotton | 3,5 | 0,68 | 35 | 204 | 53 ²⁾ / 52 ³⁾ |
| Standard 40 °C cotton | 3,5 | 0,53 | 36 | 189 | 53 ²⁾ / 52 ³⁾ |

¹⁾ At the end of spin phase.

²⁾ For model L 68270FL, L 68270VFL.

³⁾ For model L 68470FL, L 68470VFL.

| Off Mode (W) | Left On Mode (W) |
|--|------------------|
| 0,48 | 0,48 |
| The information given in the chart above are in compliance with the EU Commission regulation 1015/2010 implementing directive 2009/125/EC. | |

7. OPTIONS

7.1 Temp.

With this option you can change the default temperature.

Indicator  = cold water

The indicator of the set temperature comes on.

7.2 Spin

With this option you can change the default spin speed.

The indicator of the set speed comes on.

Additional spin options:



- Set this option to deactivate all spin phases. Only the drain phase is available.
- The related indicator comes on.
- Set this option for very delicate fabrics.
- The rinses phase uses more water for some washing programmes.



- Set this option to prevent the laundry creases.
- The related indicator comes on.
- There is a water in the drum when the programme is completed.
- The drum turns regularly to prevent the laundry creases.
- The door stays locked. You must drain the water to unlock the door.



To drain the water refer to 'At the end of the programme'.

7.3 Prewash

With this option you can add a prewash phase to a washing programme.

Use this option for heavy soil.

When you set this option the programme duration increases.

The related indicator comes on.

7.4 Quick

With this option you can decrease the programme duration.

Use this option for items with daily soil.

The related indicator comes on.

7.5 Super Quick


With this option you can decrease the programme duration.

Use this option for items with light soil or items to refresh.

The related indicator comes on.

7.6 Rinse Only

With this option you can perform only a last rinse of a selected washing programme.

If you set also the Extra Rinse function  the appliance adds two or more rinses.


The related indicator comes on.

7.7 Drain & Spin

With this option you can perform the spin and drain cycle.

The spin phase is suitable to the washing programme you set.



If you set also the No Spin option , the appliance only drains.

7.8 Finish In

With this option you can set the number of hours in which you would like your washing programme to be completed.

You can set from minimum 3 hours to maximum 20 hours.

The display shows the number of hours and the indicator above the button Finish In is on.

7.9 Extra Rinse

With this option you can add some rinses to a washing programme.


Use this option for persons allergic to detergents and in areas where the water is soft.

The related indicator comes on.¹⁾

8. SETTINGS


8.1 Extra Rinse

With this option you can permanently have an extra rinse when you set a new programme.

- To **activate/deactivate** this option touch the buttons **Spin** and **Option** at the same time until the indicator  **comes on/goes off**.

8.2 Child Lock

With this option you can prevent that the children play with the control panel.

- To **activate/deactivate** this option, touch the buttons **Temp.** and **Spin** at the same time until the indicator  **comes on/goes off**.

Activate this option after you touch the button **Start/Pause** : the buttons are locked (except for the button **On/Off**).



This option stays active even when you switch off the appliance.

8.3 Acoustic signals

The acoustic signals operate when:

- The programme is completed.
 - The appliance has a malfunction.
- To **deactivate/activate** the acoustic signals, touch the buttons **Programmes** and **Temp.** at the same time for 4 seconds.



If you deactivate the acoustic signals, they continue operate when the appliance has a malfunction.

9. BEFORE FIRST USE

1. Put a small quantity of detergent in the compartment for washing phase.
2. Set and start a programme for cotton at the highest temperature without laundry.

This removes all possible dirt from the drum and the tub.

10. DAILY USE



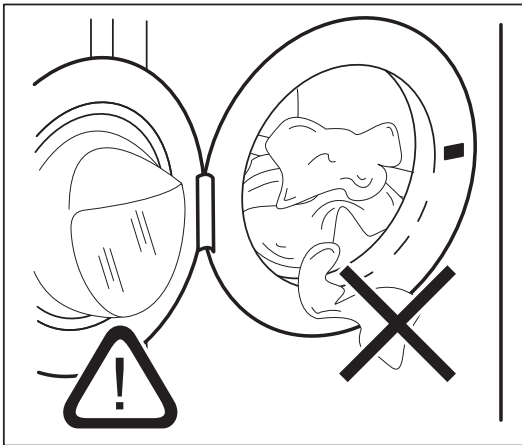
WARNING!
Refer to Safety chapters.

10.1 Loading the laundry

1. Open the appliance door
2. Put the laundry in the drum, one item at a time.

¹⁾ See in "Settings" how to activate this option.

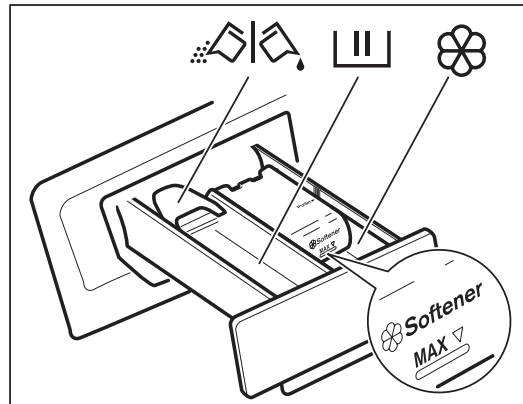
3. Shake the items before you put them in the appliance.
Make sure not to put too much laundry in the drum.
4. Close the door.

**CAUTION!**

Make sure that no laundry stays between the seal and the door. There is a risk of water leakage or damage to the laundry.

10.2 Using detergent and additives

1. Measure out the detergent and the fabric conditioner.
2. Carefully close the detergent drawer



10.3 Detergent compartments



Detergent compartment for washing phase.
If you use liquid detergent, put it immediately before you start the programme.



Compartment for liquid additives (fabric conditioner, starch).

**CAUTION!**

Do not exceed the **MAX** level.

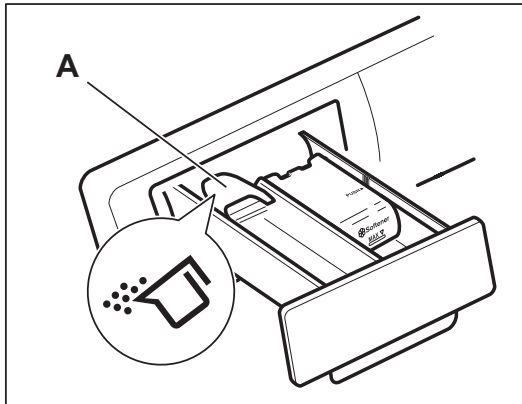


Flap for powder or liquid detergent.

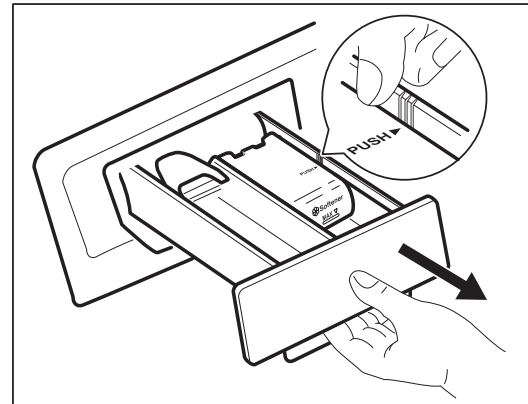
When you set a prewash option, put the detergent for prewash phase directly into the drum.

10.4 Liquid or powder detergent

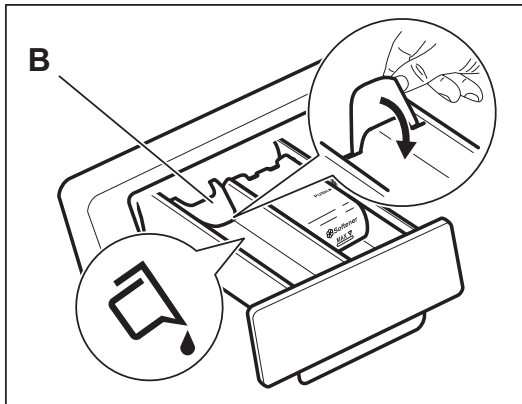
1.



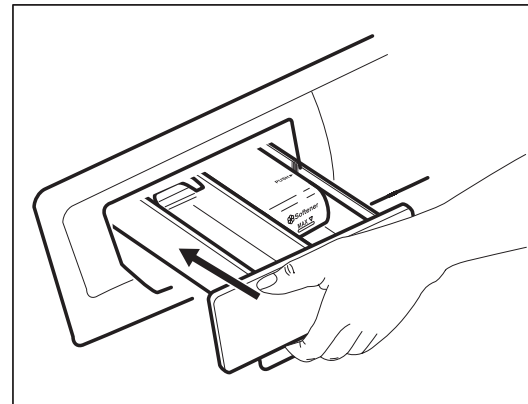
2.



3.



4.



- Position **A** for powder detergent (factory setting).
- Position **B** for liquid detergent.



When you use the liquid detergent:

- Do not use gelatinous or thick liquid detergents.
- Do not put more liquid than the maximum level.
- Do not set the prewash option.
- Do not set the delay start (or Finish in option).

10.5 Activating the appliance

Press and hold for a couple of seconds the **On/Off** button to activate or deactivate the appliance.

A tune sounds when the appliance is activated. The appliance performs a start up animation. The animation quickly shows each washing programme and the default temperature and spin settings. The display shows the word On.

10.6 Setting a programme


1. Touch the programme button **Programmes** and set the programme:
 - The indicator of the button **Start/Pause** flashes.
 - The display shows the programme duration.
2. If necessary, change the temperature and the spin speed or add available options. When you activate an option, the indicator of the set option comes on.



If you set something incorrect, the display shows the message **Err**.

10.7 Starting a programme without the Finish In option

Touch the button **Start/Pause**.

- The indicator of the button **Start/Pause** stops to flash and stays on.
- The programme starts, the door locks, the indicator  is on.
- The drain pump can operate for a short time at the beginning of the washing cycle.



After approximately 15 minutes from the start of the programme:

- The appliance adjusts automatically the programme duration agree with the laundry load.
- The display shows the new value.

10.8 Starting a programme with the Finish In option

1. Touch the button **Finish In** again and again to choose the number of hours in which you want the washing cycle to be finished.

The display shows the number of hours

you set (e.g. **3h**) and the indicator above the button **Finish In** is on to show that his option is active.

2. Touch the button **Start/Pause**:
 - The door is locked.
 - The appliance starts the countdown.
 - When the countdown is completed, the programme starts automatically.



You can cancel or change the set of the Finish In option before you touch the button **Start/Pause**. After touching the button **Start/Pause** you can only cancel the Finish In option.

To cancel the Finish In option:

- a. Touch the button **Start/Pause** to set the appliance to pause. The indicator of button **Start/Pause** flashes.
- b. Touch the button **Finish In** until the indicator above this button goes off. Touch the button **Start/Pause** again to start the programme immediately.

10.9 Interrupting a programme and changing the options

You can change only some options before they operate.

1. Touch **Start/Pause**. The indicator of this button flashes.
2. Change the options. If you change any option the Finish In option (if set) will be disabled.
3. Touch **Start/Pause** again. The programme continues.


10.10 Cancelling a running programme

1. Press the button On/Off for some seconds to cancel the programme and to deactivate the appliance.
2. Press the same button again to activate the appliance. Now, you can set a new washing programme.



Before starting the new programme the appliance could drain the water. In this case, make sure that the detergent is still in the detergent compartment, if not fill the detergent again.

10.11 Opening the door


While a programme (or the Finish In) operates, the appliance door is locked. The indicator  is on.





CAUTION!

If the temperature and level of the water in the drum are too high, you cannot open the door.



To open the door during the first minutes of the cycle (or when the Finish In operates) :

1. Touch the button **Start/Pause** to pause the appliance.
2. Wait until the indicator  goes off.
3. You can open the door.
4. Close the door and touch the button **Start/Pause** again. The programme (or the Finish In) continues.

10.12 At the end of the programme



- The appliance stops automatically.
- The acoustic signal operates (if it is activated).
- In the display  comes on.
- The indicator of the button **Start/Pause** goes off.
- The door lock indicator  goes off.
- You can open the door.
- Remove the laundry from the appliance. Make sure that the drum is empty.
- Press the button **On/Off** for some seconds to deactivate the appliance.
- Close the water tap.
- Keep the door and the detergent drawer ajar, to prevent the mildew and odours.

The washing programme is completed, but there is water in the drum:

- The drum turns regularly to prevent the creases in the laundry.
- The indicator  flashes to remind you to drain the water.
- The door lock indicator  is on. The indicator of button **Start/Pause** flashes. The door stays locked.

- You must drain the water to open the door.

Draining the water:

1. To drain the water.
 - Touch the button **Start/Pause** . The appliance drains the water and spins with the maximum spin speed for selected washing programme.
 - Alternatively, touch the button Spin to change the spin speed and then touch the button **Start/Pause**. The appliance drains the water and spins. If you set , the appliance only drains.
2. When the programme is completed and the door lock indicator  goes off, you can open the door.
3. Press the button **On/Off** for some seconds to deactivate the appliance.

10.13 AUTO-OFF option

The AUTO-OFF stand-by option automatically deactivates the appliance to decrease the energy consumption. All the indicators and the display go off when :

- You do not use the appliance for 5 minutes before you touch the **Start/Pause**. Press the button **On/Off** to activate the appliance again.
- After 5 minutes from the end of the washing programme. Press the button **On/Off** to activate the appliance again. The display shows the end of the last set programme. Touch the button **Programmes** if you want to set a new cycle.

11. HINTS AND TIPS

11.1 The laundry load

- Divide the laundry in: white, coloured, synthetics, delicates and wool.
- Obey the washing instructions that are on the laundry care labels.
- Do not wash together white and coloured items.
- Some coloured items can discolour with the first wash. We recommend

that you wash them separately for the first times.

- Button up pillowcases, close zippers, hooks and poppers. Tie up belts.
- Empty the pockets and unfold the items.
- Turn inside out multilayered fabrics, wool and items with painted illustrations.
- Remove hard stains.

- Wash with a special detergent heavy soil stains.
- Be careful with the curtains. Remove the hooks or put the curtains in a washing bag or pillowcase.
- Do not wash in the appliance laundry without hems or with cuts. Use a washing bag to wash small and/or delicate items (e.g. underwired bras, belts, tights, etc.).
- A very small load can cause balance problems with the spin phase. If this occurs, adjust manually the items in the tub and start the spin phase again.
- To help the environment, do not use more than the correct quantity of detergent.
- Obey the instructions that you find on the on packaging of these products.
- Use the correct products for the type and colour of the fabric, the programme temperature and the level of soil.
- If your appliance has not the detergent dispenser with the flap device, add the liquid detergents with a dosing ball (supplied by the detergent's manufacturer).

11.2 Stubborn stains

For some stains, water and detergent is not sufficient.

We recommend that you remove these stains before you put the items in the appliance.

Special stain removers are available. Use the special stain remover that is applicable to the type of stain and fabric.

11.3 Detergents and additives

- Only use detergents and additives specially made for washing machines:
 - powder detergents for all types of fabric,
 - powder detergents for delicate fabrics (40 °C max) and woollens,
 - liquid detergents, preferably for low temperature wash programmes (60 °C max) for all types of fabric, or special for woollens only.
- Do not mix different types of detergents.

11.4 Ecological hints

- Set a programme without the prewash phase to wash laundry with normal soil.
- Always start a washing programme with the maximum load of laundry.
- If necessary, use a stain remover when you set a programme with a low temperature.
- To use the correct quantity of the detergent, check the water hardness of your domestic system

11.5 Water hardness

If the water hardness in your area is high or moderate, we recommend that you use a water softener for washing machines. In areas where the water hardness is soft it is not necessary to use a water softener.

To know the water hardness in your area, contact your local water authority.

Use the correct quantity of the water softener. Obey the instructions that you find on the packaging of the product.

12. CARE AND CLEANING



WARNING!

Refer to Safety chapters.



CAUTION!

Do not use alcohol, solvents or chemical products.

12.1 External cleaning

Clean the appliance only with soap and warm water. Fully dry all the surfaces.

12.2 Descaling

If the water hardness in your area is high or moderate, we recommend that you use a water descaling product for washing machines.

Regularly examine the drum to prevent limescale and rust particles.

To remove rust particles use only special products for washing machine. Do this separately from the laundry wash.

- i** Always obey the instructions that you find on the packaging of the product.

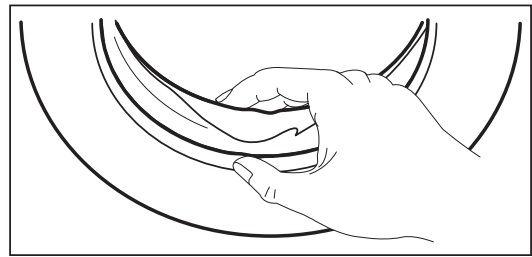
12.3 Maintenance wash

With the low temperature programmes it is possible that some detergent stays in the drum. Make regularly a maintenance wash. To do this:

- Remove the laundry from the drum.

- Set the cotton programme with the highest temperature with a small quantity of detergent.

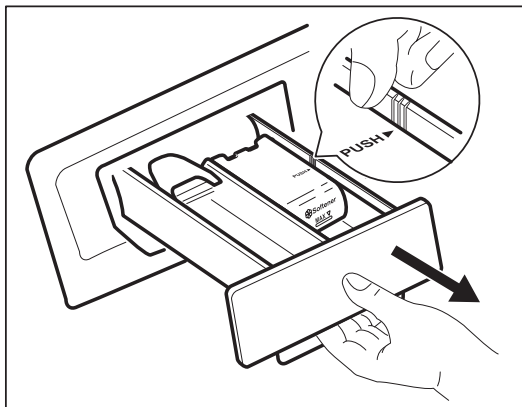
12.4 Door seal



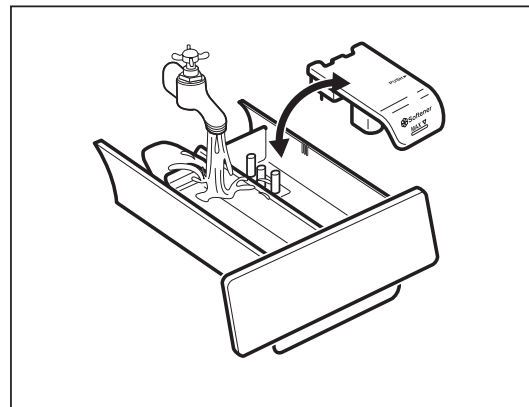
Regularly examine the seal and remove all objects from the inner part.

12.5 Cleaning the detergent dispenser

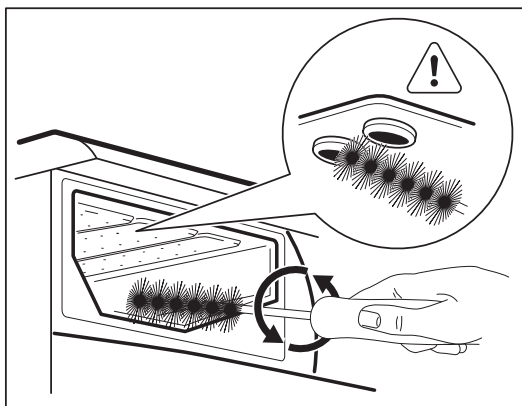
1.



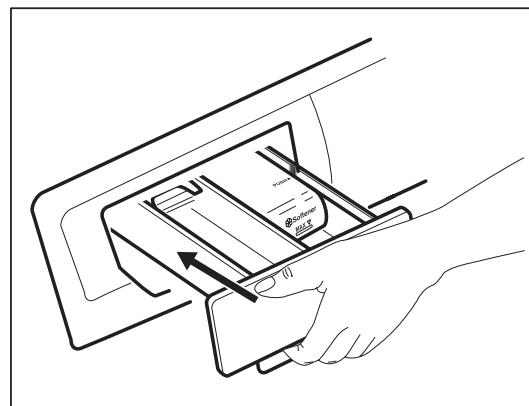
2.



3.



4.



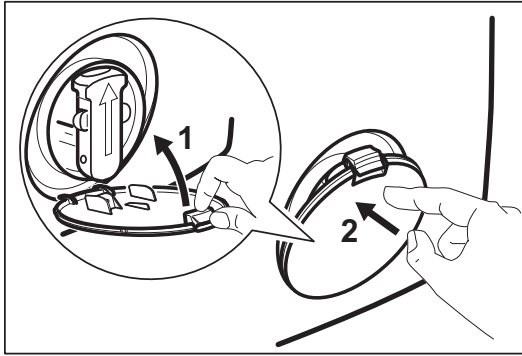
12.6 Cleaning the drain filter



WARNING!

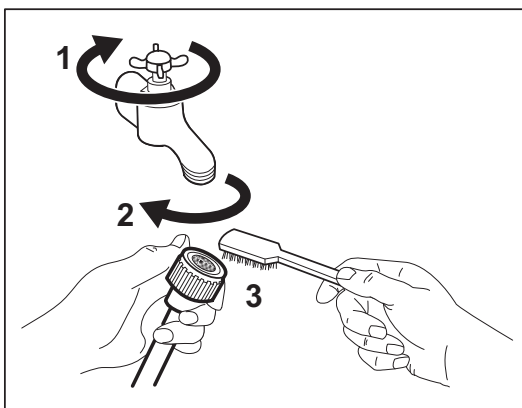
Do not clean the drain filter if the water in the appliance is hot.

9.

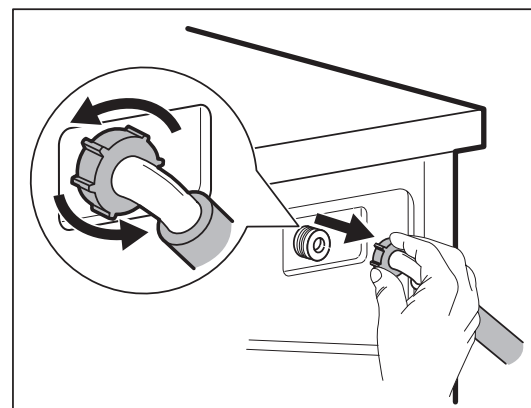


12.7 Cleaning the inlet hose and the valve filter

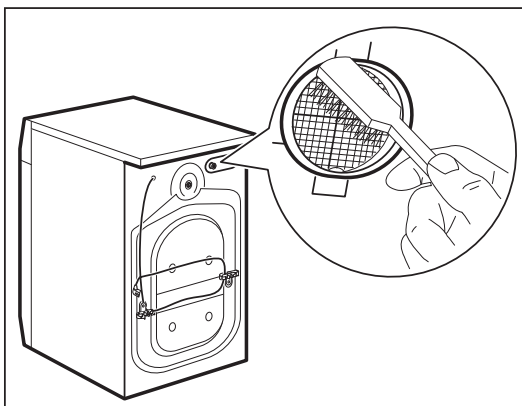
1.



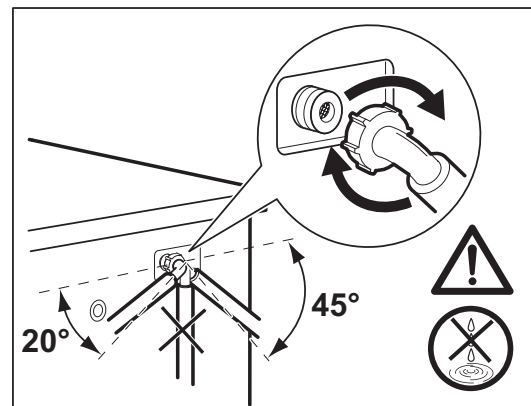
2.



3.



4.



12.8 Emergency drain

Because of a malfunction, the appliance cannot drain the water.

If this occurs, do steps (1) through (9) of 'Cleaning the drain filter'. If necessary, clean the pump.

When you drain the water with the emergency drain procedure, you must activate again the drain system:

1. When you drain the water with the emergency drain procedure, you must activate again the drain system: Put 2 litres of water in the main wash compartment of the detergent dispenser.
2. Start the programme to drain the water

12.9 Frost precautions

If the appliance is installed in an area where the temperature can be less than 0° C, remove the remaining water from the inlet hose and the drain pump.

1. Disconnect the mains plug from the mains socket.
2. Close the water tap.
3. Put the two ends of the inlet hose in a container and let the water flow out of the hose.
4. Empty the drain pump. Refer to the emergency drain procedure.

5. When the drain pump is empty, install the inlet hose again.



WARNING!

Make sure that the temperature is more than 0 °C before you use the appliance again. The manufacturer is not responsible for damages caused by low temperatures.

13. TROUBLESHOOTING



WARNING!

Refer to Safety chapters.

13.1 Introduction

The start of the appliance does not occur or it stops during operation.

First try to find a solution to the problem (refer to the table). If not, contact the Authorised Service Centre.

With some problems, the acoustic signals operate and the display shows an alarm code:

- **E10** - The appliance does not fill with water properly.

- **E20** - The appliance does not drain the water.
- **E40** - The appliance door is open or not closed correctly. Please check the door!
- **E40** - The mains supply is unstable. Wait until the mains supply is stable.
- **E91** - No communication between electronic elements of the appliance. Switch off and switch on again.



WARNING!

Deactivate the appliance before you do the checks.

13.2 Possible failures

| Problem | Possible solution |
|--|---|
| The programme does not start. | Make sure that the mains plug is connected to the mains socket. |
| | Make sure that the appliance door is closed. |
| | Make sure that there is not a damaged fuse in the fuse box. |
| | Make sure that the Start/Pause has been pressed. |
| | If the delay start is set, cancel the setting or wait for the end of countdown. |
| | Deactivate the Child Lock function if it is on. |
| The appliance does not fill with water properly. | Make sure that the water tap is open. |

| Problem | Possible solution |
|---|---|
| | Make sure that the pressure of the water supply is not too low. For this information, contact your local water authority. |
| | Make sure that the water tap is not clogged. |
| | Make sure that the filter of the inlet hose and the filter of the valve are not clogged. Refer to "Care and cleaning". |
| | Make sure that the inlet hose has no kinks or bends. |
| | Make sure that the connection of the water inlet hose is correct. |
| The appliance does not fill with water and drain immediately. | Make sure that the drain hose is in the correct position. The hose may be too low. |
| The appliance does not drain the water. | Make sure that the sink spigot is not clogged. |
| | Make sure that the drain hose has no kinks or bends. |
| | Make sure that the drain filter is not clogged. Clean the filter, if necessary. Refer to 'Care and cleaning'. |
| | Make sure that the connection of the drain hose is correct. |
| | Set the drain programme if you set a programme without drain phase. |
| | Set the drain programme if you set an option which ends with water in the tub. |
| The spin phase does not operate or the washing cycle lasts longer than usually. | Set the spin programme. |
| | Make sure that the drain filter is not clogged. Clean the filter, if necessary. Refer to 'Care and cleaning'. |
| | Adjust manually the items in the tub and start the spin phase again. This problem may be caused by balance problems. |
| There is water on the floor. | Make sure that the couplings of the water hoses are tight and there is not water leakages. |
| | Make sure that the drain hose have no damages. |
| | Make sure you use the correct detergent and the correct quantity of it. |
| You cannot open the appliance door. | Make sure that the washing programme is finished. |

| Problem | Possible solution |
|---|--|
| | Set the drain or the spin programme if there is water in the drum. |
| The appliance makes an unusual noise. | Make sure the levelling of the appliance is correct. Refer to 'Installation'. |
| | Make sure that the packaging and/or the transit bolts are removed. Refer to 'Installation'. |
| | Add more laundry in the drum. The load may be too small. |
| The cycle is shorter than the time displayed. | The appliance calculates a new time according to the laundry load. See the 'Consumption Values' chapter. |
| The cycle is longer than the time displayed. | An unbalanced laundry load increases the duration time. This is a normal behaviour of the appliance. |
| The washing results are not satisfactory. | Increase the detergent quantity or use a different detergent. |
| | Use special products to remove the stubborn stains before you wash the laundry. |
| | Make sure that you set the correct temperature. |
| | Decrease the laundry load. |
| You cannot set an option. | Make sure that you press only the wanted button(s). |

After the check, activate the appliance. The programme continues from the point of interruption.

If the problem occurs again, contact the Authorised Service Centre.

If the display shows other alarm codes. Deactivate and activate the appliance. If the problem continues, contact the Authorised Service Centre.


14. TECHNICAL DATA


| | | |
|--|--------------------------------------|--------------------------------|
| Dimension | Width/ Height/ Depth/ Total depth | 600 mm/ 850 mm/ 517 mm/ 576 mm |
| Electrical connection | Voltage | 230-240 V |
| | Overall power | 2200 W |
| | Fuse | 13 A |
| | Frequency | 50 Hz |
| Level of protection against ingress of solid particles and moisture ensured by the protective cover, except where the low voltage equipment has no protection against moisture | | IPX4 |
| Water supply pressure | Minimum | 0,5 bar (0,05 MPa) |
| | Maximum | 8 bar (0,8 MPa) |

| | | |
|----------------------------|---------|--|
| Water supply ¹⁾ | | Cold water |
| Maximum Load | Cotton | 7 kg |
| Energy Efficiency Class | | A+++ |
| Spin Speed | Maximum | 1200 rpm (L 68270FL,L 68270VFL) 1400 rpm (L 68470FL,L 68470VFL) |

¹⁾ Connect the water inlet hose to a water tap with a 3/4" thread.

15. ENVIRONMENT CONCERNS

Recycle the materials with the symbol . Put the packaging in applicable containers to recycle it. Help protect the environment and human health and to recycle waste of electrical and electronic appliances. Do not dispose appliances

marked with the symbol  with the household waste. Return the product to your local recycling facility or contact your municipal office.

www.aeg.com/shop



192963880-A-502014



 **AEG**
perfekt in form und funktion