

Dishwasher

JLDWS1328

User Manual

John Lewis

Contents

Safety information	3	Using the detergent	21
Children and vulnerable people safety	3	Setting and starting a programme	22
General Safety	3	Hints and tips	23
Safety instructions	5	General	23
Installation	5	Using salt, rinse aid and detergent	23
Electrical connection	5	What to do if you want to stop using multi-tablets	23
Water connection	5	Loading the baskets	23
Use	5	Before starting a programme	24
Service	5	Unloading the baskets	24
Disposal	6	Care and cleaning	25
Product description	7	Cleaning the filters	25
Control panel	8	Cleaning the spray arms	26
Indicators	8	External cleaning	26
Programmes	10	Internal cleaning	26
Consumption values	10	Troubleshooting	27
Information for test institutes	11	The washing and drying results are not satisfactory	28
Settings	12	Technical information	31
Programme selection mode and user mode	12	Installation	32
The water softener	12	Unpacking	32
The rinse aid empty notification	13	Fitting under the kitchen counter	32
AirDry	13	Removing the appliance worktop	32
Options	15	Levelling of the appliance	33
Options	15	Water connection	34
Extra dry	15	Water inlet connection	34
Hygiene plus	15	Water drain connection	34
Before first use	16	Electrical connection	36
The salt container	16	Repairs - after sales service	37
Filling with rinse aid	17		
Daily use	18		
Loading cutlery and dishes	18		

Safety information

Before the installation and use of the appliance, carefully read the supplied instructions. The manufacturer is not responsible for any injuries or damages that are the result of incorrect installation or usage. Always keep the instructions in a safe and accessible location for future reference.

Children and vulnerable people safety

- This appliance can be used by children aged from 8 years and above and persons with reduced physical, sensory or mental capabilities or lack of experience and knowledge if they have been given supervision or instruction concerning the use of the appliance in a safe way and understand the hazards involved.
- Do not let children play with the appliance.
- Keep detergents away from children.
- Keep children and pets away from the appliance when the door is open.
- Children shall not carry out cleaning and user maintenance of the appliance without supervision.

General Safety

- This appliance is intended to be used in household and similar applications such as:
 - farm houses; staff kitchen areas in shops, offices and other working environments;
 - by clients in hotels, motels, bed & breakfast and other residential type environments.
- Do not change the specification of this appliance.
- The operating water pressure (minimum and maximum) must be between 0.5 (0.05) / 8 (0.8) bar (MPa)

- Obey the maximum number of 13 place settings.
- If the supply cord is damaged, it must be replaced by the manufacturer, its Authorised Service Centre or similarly qualified persons in order to avoid a hazard.
- Put the cutlery in the cutlery basket with the sharp ends pointing down or put them in the cutlery drawer in a horizontal position with the sharp edges down.
- Do not leave the appliance with the open door unattended to avoid stepping accidentally onto it.
- Before any maintenance operation, deactivate the appliance and disconnect the mains plug from the socket.
- Do not use high pressure water sprays and/or steam to clean the appliance.
- If the appliance has ventilation openings in the base, they must not be covered e.g. by a carpet.
- The appliance is to be connected to the water mains using the new supplied hose-sets. Old hose sets must not be reused.

Safety instructions

Installation



Warning! Only a qualified person must install this appliance.

- Remove all the packaging.
- Do not install or use a damaged appliance.
- Do not install or use the appliance where the temperature is less than 0 °C.
- Follow the installation instruction supplied with the appliance.
- Always take care when moving the appliance as it is heavy. Always use safety gloves and enclosed footwear.

Electrical connection



Warning! Risk of fire and electrical shock.

- The appliance must be earthed.
- Make sure that the parameters on the rating plate are compatible with the electrical ratings of the mains power supply.
- Always use a correctly installed shockproof socket.
- Do not use multi-plug adapters and extension cables.
- Make sure not to cause damage to the mains plug and to the mains cable. Should the mains cable need to be replaced, this must be carried out by our Authorised Service Centre.
- Connect the mains plug to the mains socket only at the end of the installation. Make sure that there is access to the mains plug after the installation.
- Do not pull the mains cable to disconnect the appliance. Always pull the mains plug.
- This appliance complies with the E.E.C. Directives.

- UK and Ireland only. This appliance is fitted with a 13 A mains plug. If it is necessary to change the mains plug fuse, use only a 13 A ASTA (BS 1362) fuse.

Water connection

- Do not cause damage to the water hoses.
- Before connection to new pipes, pipes not used for a long time, where repair work has been carried out or new devices fitted (water meters, etc.), let the water flow until it is clean and clear.
- Ensure that there are no visible water leaks during and after the first use of the appliance.
- If the water inlet hose is damaged, immediately close the water tap and disconnect the mains plug from the mains socket. Contact the Authorised Service Centre to replace the water inlet hose.

Use

- Do not sit or stand on the open door.
- Dishwasher detergents are dangerous. Obey the safety instructions on the detergent packaging.
- Do not drink and play with the water in the appliance.
- Do not remove the dishes from the appliance until the programme is complete. Some detergent may remain on the dishes.
- The appliance can release hot steam if you open the door while a programme operates.
- Do not put flammable products or items that are wet with flammable products in, near or on the appliance.

Service

- Contact the Authorised Service Centre to repair the appliance. We recommend only the use of original spare parts.

- When you contact the Authorised Service Centre, ensure that you have the following information that is available on the rating plate.
Model :
PNC :
Serial Number :

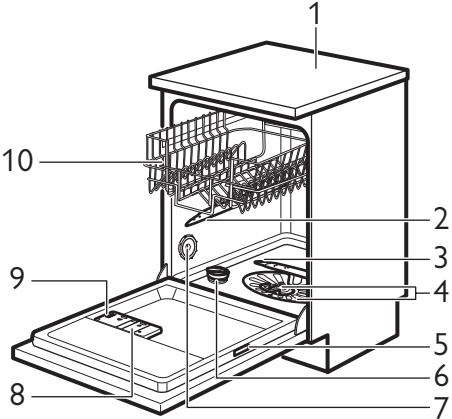
Disposal



Warning! Risk of injury or suffocation.

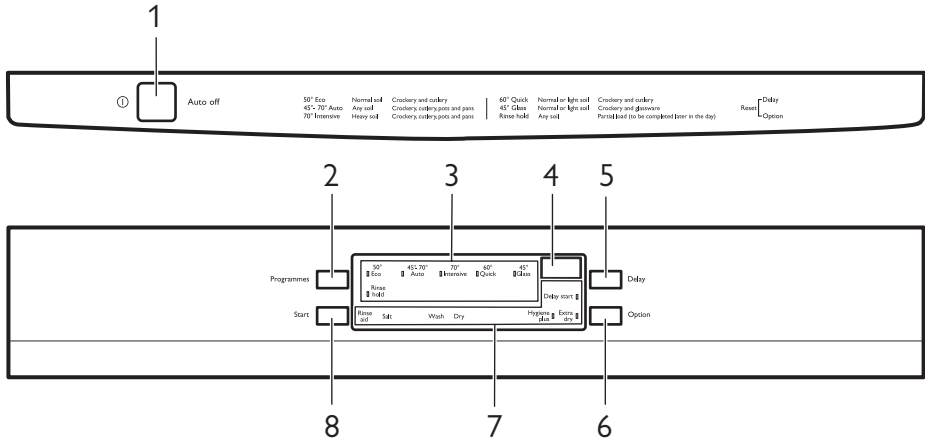
- Disconnect the appliance from the mains supply.
- Cut off the mains cable and discard it.
- Remove the door catch to prevent children and pets to get closed in the appliance.

Product description



- 1. Worktop
- 2. Upper spray arm
- 3. Lower spray arm
- 4. Filters
- 5. Rating plate
- 6. Salt container
- 7. Air vent
- 8. Rinse aid dispenser
- 9. Detergent dispenser
- 10. Upper basket

Control panel



1. On/off button
2. **Programmes** button
3. Programme indicators
4. Display
5. **Delay** button
6. **Option** button
7. Indicators
8. **Start** button

Indicators

Indicator	Description
Wash	Washing phase. It comes on when the washing phase operates.
Dry	Drying phase. It comes on when the drying phase operates.
Extra dry	Extra dry indicator.
Rinse aid	Rinse aid indicator. It is always off while the programme operates.
Salt	Salt indicator. It is always off while the programme operates.
Delay start	Delay indicator.

Indicator	Description
Hygiene plus	Hygiene plus indicator.

Programmes

Programme	Degree of soil Type of load	Programme phases	Options
Eco ¹⁾	<ul style="list-style-type: none"> • Normal soil • Crockery and cutlery 	<ul style="list-style-type: none"> • Pre-wash • Wash 50 °C • Rinses • Dry 	<ul style="list-style-type: none"> • Hygiene plus • Extra dry
Auto ²⁾	<ul style="list-style-type: none"> • All • Crockery, cutlery, pots and pans 	<ul style="list-style-type: none"> • Pre-wash • Wash from 45 °C to 70 °C • Rinses • Dry 	<ul style="list-style-type: none"> • Hygiene plus • Extra dry
Intensive	<ul style="list-style-type: none"> • Heavy soil • Crockery, cutlery, pots and pans 	<ul style="list-style-type: none"> • Pre-wash • Wash 70 °C • Rinses • Dry 	<ul style="list-style-type: none"> • Hygiene plus • Extra dry
Glass	<ul style="list-style-type: none"> • Normal or light soil • Delicate crockery and glassware 	<ul style="list-style-type: none"> • Wash 45 °C • Rinses • Dry 	<ul style="list-style-type: none"> • Extra dry
Quick ³⁾	<ul style="list-style-type: none"> • Fresh soil • Crockery and cutlery 	<ul style="list-style-type: none"> • Wash 60 °C • Rinses 	<ul style="list-style-type: none"> • Hygiene plus • Extra dry
Rinse hold ⁴⁾	<ul style="list-style-type: none"> • All 	<ul style="list-style-type: none"> • Pre-wash 	

1) With this programme you have the most efficient use of water and energy consumption for crockery and cutlery with normal soil. (This is the standard programme for test institutes).

2) The appliance senses the degree of soil and the quantity of items in the baskets . It automatically adjusts the temperature and the quantity of water, the energy consumption and the programme duration.

3) With this programme you can wash a load with fresh soil. It gives good washing results in a short time.

4) With this programme you can quickly rinse dishes to prevent remains of food to bond on dishes and odours to form in the appliance. Do not use detergent with this programme.

Consumption values

Programme ¹⁾	Water (l)	Energy (kWh)	Duration (min)
Eco	9.9	0.921	240

Programme ¹⁾	Water (l)	Energy (kWh)	Duration (min)
Auto	7 - 12	0.7 - 1.5	45 - 160
Intensive	13-15	1.4 - 1.6	140 - 160
Quick	9	0.8	30
Glass	13 - 14	0.9 - 1.1	70 - 85
Rinse hold	4	0.1	14

1) The pressure and the temperature of the water, the variations of the mains supply, the options and the quantity of dishes can change the values.

Information for test institutes

For all the necessary information for test performance, send an email to:

info.test@dishwasher-production.com

Write down the product number (PNC) that is on the rating plate.

Settings

Programme selection mode and user mode

When the appliance is in programme selection mode it is possible to set a programme and to enter the user mode.

Settings available in the user mode:

- The level of water softener according to the water hardness.
- Activation or deactivation of the rinse aid empty notification.
- Activation or deactivation of AirDry.

As the appliance stores the saved settings, there is no need to configure it before every cycle.

How to set the programme selection mode

The appliance is in programme selection mode when the programme indicator **Eco** is on and the display shows the programme duration.

After activation, the appliance is in programme selection mode by default. If not, set the programme selection mode the following way:

Press and hold simultaneously **Delay** and **Option** until the appliance is in programme selection mode.

Water hardness

German degrees (°dH)	French degrees (°fH)	mmol/l	Clarke degrees	Water softener level
47 - 50	84 - 90	8.4 - 9.0	58 - 63	10
43 - 46	76 - 83	7.6 - 8.3	53 - 57	9
37 - 42	65 - 75	6.5 - 7.5	46 - 52	8
29 - 36	51 - 64	5.1 - 6.4	36 - 45	7

How to enter user mode

Make sure the appliance is in programme selection mode.

To enter the user mode, press and hold simultaneously **Delay** and **Option** until the indicators Eco, Auto and Intensive start flashing and the display is blank.

The water softener

The water softener removes minerals from the water supply, which would have a detrimental effect on the washing results and on the appliance.

The higher the content of these minerals, the harder your water is. Water hardness is measured in equivalent scales.

The water softener should be adjusted according to the hardness of the water in your area. Your local water authority can advise you on the hardness of the water in your area. It is important to set the right level of the water softener to assure good washing results.

German degrees (°dH)	French degrees (°fH)	mmol/l	Clarke degrees	Water softener level
23 - 28	40 - 50	4.0 - 5.0	28 - 35	6
19 - 22	33 - 39	3.3 - 3.9	23 - 27	5 1)
15 - 18	26 - 32	2.6 - 3.2	18 - 22	4
11 - 14	19 - 25	1.9 - 2.5	13 - 17	3
4 - 10	7 - 18	0.7 - 1.8	5 - 12	2
<4	<7	<0.7	< 5	1 2)

1) Factory setting.

2) Do not use salt at this level.

Whether you use a standard detergent or multi-tabs (with or without salt), set the proper water hardness level to keep the salt refill indicator active.



Multi-tabs containing salt are not effective enough to soften hard water.

How to set the water softener level

Make sure the appliance is in user mode.

1. Press **Programmes**.
 - The indicators Auto and Intensive are off.
 - The indicator Eco still flashes.
 - The display shows the current setting: e.g. 5 L = level 5.
2. Press **Programmes** repeatedly to change the setting. Each pressing of **Programmes** increases the level number. After reaching level 10, the count starts again from level 1.
3. Press the on/off button to confirm the setting.

The rinse aid empty notification

The rinse aid helps to dry the dishes without streaks and stains.

The rinse aid is automatically released during the hot rinse phase.

When rinse aid chamber is empty, the rinse aid indicator is turned on notifying to refill rinse aid. If the drying results are satisfactory while using multi-tablets only, it is possible to deactivate the notification for refilling rinse aid. However, for best drying performance, always use rinse aid.

If standard detergent or multi-tablets without rinse aid are used, activate the notification to keep the rinse aid refill indicator active.

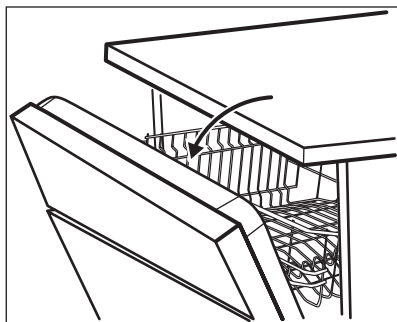
How to deactivate the rinse aid empty notification

Make sure the appliance is in user mode.

1. Press **Start**.
 - The indicators Eco and Intensive are off.
 - The indicator Auto still flashes.
 - The display shows the current setting.
 - 1 d = rinse aid empty notification activated.
 - 0 d = rinse aid empty notification deactivated.
2. Press **Start** to change the setting.
3. Press on/off to confirm the setting.

AirDry

AirDry improves the drying results with less energy consumption.



During the drying phase, the door opens automatically and remains ajar.



Caution! Do not try to close the appliance door within 2 minutes after automatic opening. This can cause damage to the appliance.

AirDry is automatically activated with all programmes excluding Rinse hold.

To improve the drying performance refer to the Extra dry option or activate AirDry.



Caution! If children have access to the appliance, it is advised to deactivate AirDry as opening the door may pose a danger.

How to deactivate AirDry

Make sure the appliance is in user mode.

1. Press **Delay**.
 - The indicators Eco and Auto are off.
 - The indicator Intensive still flashes.
 - The display shows the current setting: 10
= AirDry activated.
2. Press **Delay** to change the setting: 00 = AirDry deactivated.
3. Press on/off to confirm and save the setting.

Options

Options



Desired options must be activated every time before you start a programme.

It is not possible to activate or deactivate options while a programme is running.



Not all options are compatible with each other. If you select non compatible options, the appliance automatically deactivates one or more of them. Only the indicators of the still active options are on.

Extra dry

Activate this option to boost the drying performance. With the use of this option, the duration of some programmes, water consumption and the last rinse temperature can be affected.

The Extra dry option is a permanent option for all programmes other than Eco and need not to be selected at every cycle.

In other programmes the setting of Extra dry is permanent and it is automatically used in next cycles. This configuration can be changed at any time.

How to activate Extra dry

Press **Option** until the indicator Extra dry turns on.

If the option is not applicable to the programme, the related indicator does not turn on or it flashes quickly for a few seconds and then turns off.

The display shows the updated programme duration.

Hygiene plus

This option provides better hygiene results by keeping the temperature at 70 °C for at least 10 minutes during the last rinsing phase.

How to activate Hygiene plus

Press **Option** until the indicator Hygiene plus turns on.

If the option is not applicable to the programme, the related indicator does not turn on or it flashes quickly for a few seconds and then turns off.

The display shows the updated programme duration.

Before first use

1. **Make sure that the current level of the water softener agrees with the hardness of the water supply. If not, adjust the level of the water softener.**
2. Fill the salt container.
3. Fill the rinse aid dispenser.
4. Open the water tap.
5. Start a programme to remove any processing residuals that can still be inside the appliance.
Do not use detergent and do not load the baskets.

After starting a programme, it may take up to 5 minutes for the appliance to recharge the resin in the water softener. It seems that the appliance is not working. The washing phase starts only after this procedure is completed. The procedure is repeated periodically.

The salt container

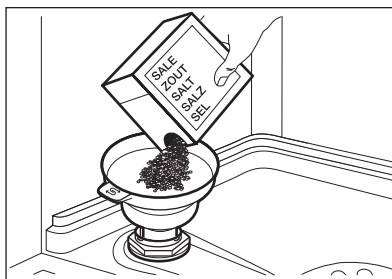


Caution! Use rough salt designed for dishwashers only. Fine salt increases the risk of corrosion.

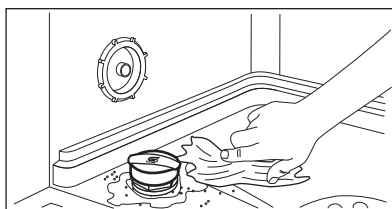
The salt is used to recharge the resin in the water softener and to assure good washing results in daily use.

How to fill the salt container

1. Turn the cap of the salt container counterclockwise and remove it.
2. Put 1 litre of water in the salt container (only for the first time).
3. Fill the salt container with 1 kg of salt (until it is full).



4. Carefully shake the funnel by its handle to get the last granules inside.
5. Remove the salt around the opening of the salt container.

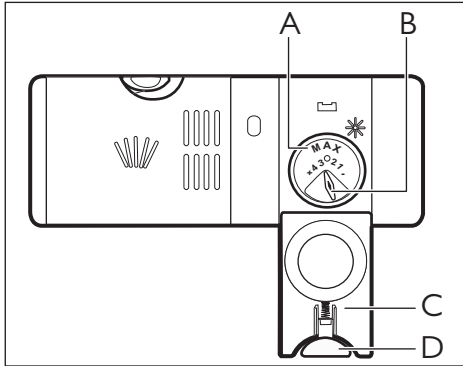


6. Turn the cap of the salt container clockwise to close the salt container.



Caution! Water and salt can come out of the salt container when you fill it. After you fill the salt container, immediately start a programme to prevent corrosion.

Filling with rinse aid



Caution! Use branded rinse aid for dishwashers only. Never fill the rinse aid dispenser with any other substances (e.g. dishwasher cleaning agent, liquid detergent). This would damage the appliance.



Rinse aid ensures thorough rinsing, and spot and streak free drying. Rinse aid is automatically added during the last rinse.

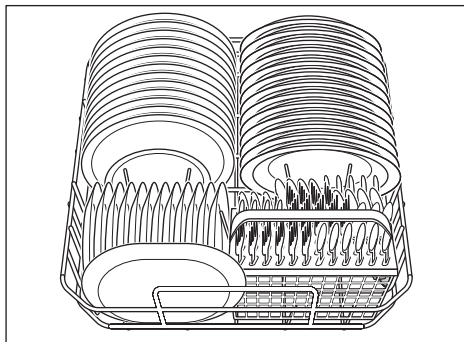
1. Press the release button **(D)** to open the lid **(C)** of the rinse aid dispenser.
2. Fill the rinse aid dispenser **(A)** with rinse aid. The maximum level for filling is indicated by 'MAX'.
3. Clean up any rinse aid spilt during filling with an absorbent cloth to avoid excess foaming during the next washing programme.
4. Close the rinse aid dispenser. Press the lid until it locks into position.

Daily use

1. Open the water tap.
2. Press the on/off button to activate the appliance.

Make sure that the appliance is in programme selection mode.

- If the salt indicator is on, fill the salt container.
 - If the rinse aid indicator is on, fill the rinse aid dispenser.
3. Load the baskets.
 4. Add the detergent.
 5. Set and start the correct programme for the type of load and the degree of soil.



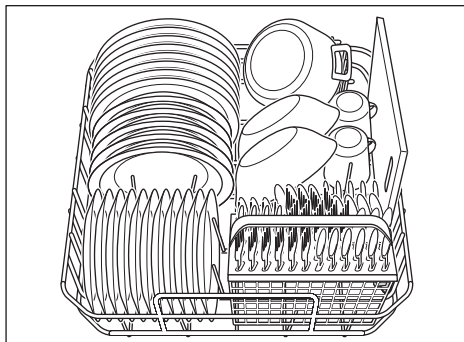
Loading cutlery and dishes



Warning! Always close the appliance door after loading the baskets. An open door can be a hazard.

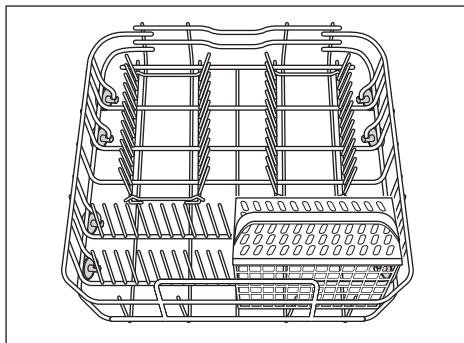


Caution! Always ensure that the spray arms can rotate freely before you close the appliance door and start the programme.



The lower basket

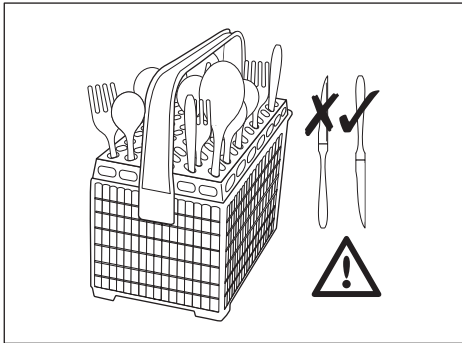
The lower basket is designed to take pots, pans, lids, dishes, salad bowls and cutlery. Serving dishes and large lids should be arranged around the edge of the basket, ensuring that the spray arms can turn freely.



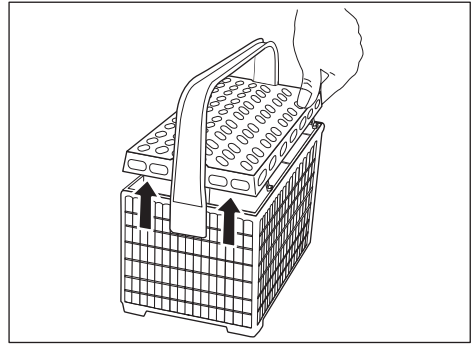
The cutlery basket



Warning! Knives with long blades, stored in an upright position, are a potential hazard. Long and/or sharp items of cutlery such as carving knives must be positioned horizontally in the upper basket. Take care when loading or unloading sharp items such as knives. Forks and spoons should be placed in the removable cutlery basket with the handles facing downwards and the knives with their handles facing upwards

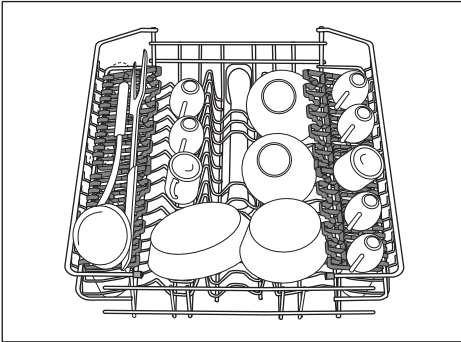
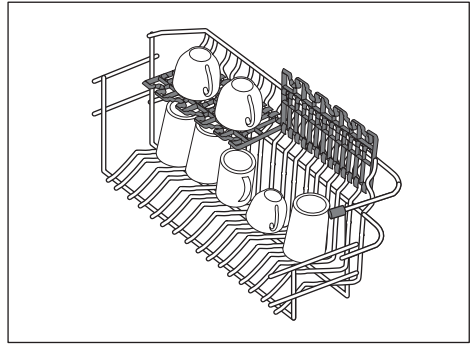
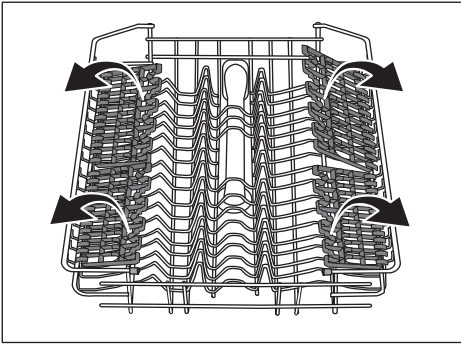


Mix spoons with other cutlery to prevent them from sticking together. For best results we recommend you use the cutlery grid. If the size and dimensions of the cutlery do not allow the use of the grid, this can be easily removed.



The upper basket

Arrange items on and underneath the cup racks so that water can reach all surfaces.

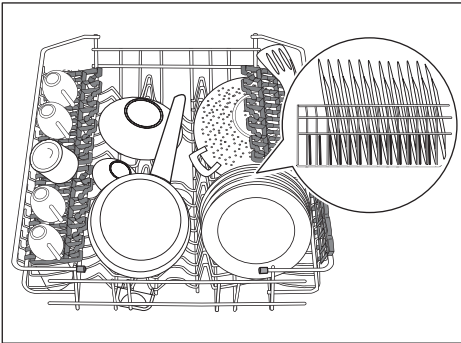


Caution! Ensure that the spray arms can rotate freely before you close the appliance door.

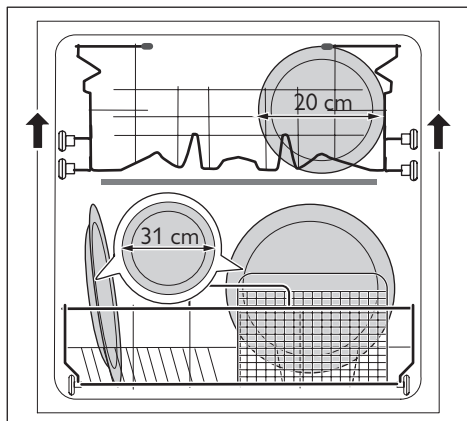
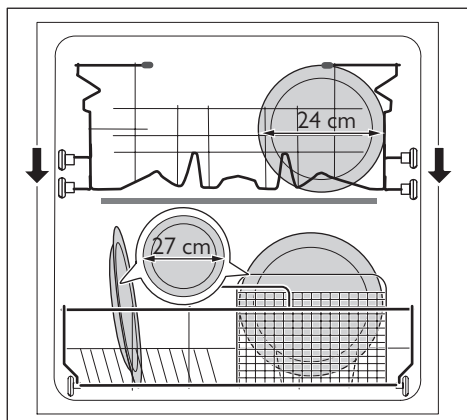
Adjusting the height of the upper basket



Caution! Never lift or lower the basket on one side only.

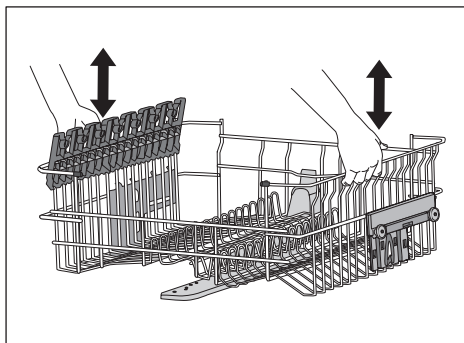


Glasses with long stems can be placed upside down in the cup racks. For taller items, the cup racks can be folded upwards.



Moving the upper basket to the higher position

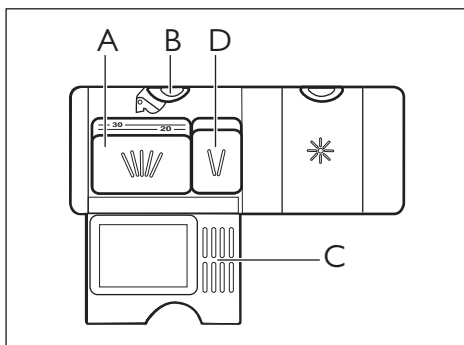
1. Pull out the basket until it stops.
2. Carefully lift both sides upwards until the mechanism is engaged and the basket is stable.



Moving back the upper basket to the lower position

1. Pull out the basket until it stops.
2. Carefully lift both sides upwards and then allow the mechanism to drop back down slowly, keeping hold of it.

Using the detergent



1. Press the release button (**B**) to open the lid (**C**).
2. Put the detergent, in powder or tablets, in the compartment (**A**).
3. If the programme has a prewash phase, put a small quantity of detergent in the compartment (**D**).
4. Close the lid. Make sure that the release button locks into position.

Setting and starting a programme

The Auto Off function

This function decreases energy consumption by deactivating automatically the appliance when it is not operating.

The function comes into operation:

- 5 minutes after the completion of the programme.
- After 5 minutes if the programme has not started.

Starting a programme

1. Press the on/off button to activate the appliance. Make sure that the appliance is in programme selection mode and the door is closed.
2. Press **Programmes** again and again until the indicator of the desired programme is on.

The display shows the programme duration.

3. Set the applicable options.
4. Press **Start** to start the programme.
 - The indicator of the running phase is on.
 - The programme duration starts to decrease with steps of 1 minute.

Starting a programme with delay start

1. Set a programme.
2. Press **Delay** again and again until the display shows the desired delay time (from 1 to 24 hours).
3. Press **Start** to start the countdown.
 - The delay indicator comes on to confirm the start of the countdown.
 - The countdown starts to decrease with steps of 1 hour. Only the last hour decreases with steps of 1 minute.

When the countdown is completed, the programme starts and the indicator of the running phase comes on. The delay indicator is off.

Opening the door while the appliance operates

Opening the door while a programme is running stops the appliance. It may affect the energy

consumption and the programme duration. After closing the door, the appliance continues from the point of interruption.



If the door is opened for more than 30 seconds during the drying phase, the running programme ends. It does not happen if the door is opened by AirDry function.



Do not try to close the appliance door within 2 minutes after AirDry automatically opens it, as this may cause damage to the appliance. If, afterwards, the door is closed for another 3 minutes, the running programme ends.

Cancelling the delay start while the countdown operates

When you cancel the delay start you have to set the programme and options again.

Press and hold simultaneously **Delay** and **Option** until the appliance is in programme selection mode.

Cancelling the programme

Press and hold simultaneously **Delay** and **Option** until the appliance is in programme selection mode. Make sure that there is detergent in the detergent dispenser before starting a new programme.

End of the programme

When the programme is completed the display shows 0:00.

All buttons are inactive except for the on/off button.

1. Press the on/off button or wait for the Auto Off function to automatically deactivate the appliance. If you open the door before the activation of Auto Off, the appliance is automatically deactivated.
2. Close the water tap.

Hints and tips

General

The following hints will ensure optimal cleaning and drying results in daily use and also help to protect the environment.

- Remove larger residues of food from the dishes into the waste bin.
- Do not pre-rinse dishes by hand. When needed, use the prewash programme (if available) or select a programme with a prewash phase.
- Always use the whole space of the baskets.
- When loading the appliance, make sure that the dishes can be completely reached and washed by the water released from the spray arm nozzles. Make sure that items do not touch or cover each other.
- You can use dishwasher detergent, rinse aid and salt separately or you can use the multi-tablets (e.g. "3in1", "4in1", "All in 1"). Follow the instructions written on the packaging.
- Select the programme according to the type of load and degree of soil. With the ECO programme you have the most efficient use of water and energy consumption for crockery and cutlery with normal soil.

Using salt, rinse aid and detergent

- Only use salt, rinse aid and detergent for dishwasher. Other products can cause damage to the appliance.
- In areas with hard and very hard water we recommend to use plain dishwasher detergent (powder, gel, tablets containing no additional agents), rinse aid and salt separately for optimal cleaning and drying results.
- At least once a month run the appliance with the use of appliance cleaner which is particularly suitable for this purpose.

- Detergent tablets do not fully dissolve with short programmes. To prevent detergent residues on the tableware, we recommend that you use the tablets with long programmes.
- Do not use more than the correct quantity of detergent. Refer to the instructions on the detergent packaging.

What to do if you want to stop using multi-tablets

Before you start to use separately detergent, salt and rinse aid do the following procedure.

1. Set the highest level of the water softener.
2. Make sure that the salt and rinse aid containers are full.
3. Start the shortest programme with a rinsing phase. Do not add detergent and do not load the baskets.
4. When the programme is completed, adjust the water softener according to the water hardness in your area.
5. Adjust the released quantity of rinse aid.
6. Activate the rinse aid empty notification.

Loading the baskets

- Only use the appliance to wash items that are dishwasher-safe.
- Do not put in the appliance items made of wood, horn, aluminium, pewter and copper.
- Do not put in the appliance items that can absorb water (sponges, household cloths).
- Remove remaining food from the items.
- Make soft the remaining burned food on the items.
- Put hollow items (cups, glasses and pans) with the opening down.
- Make sure that cutlery and dishes do not bond together. Mix spoons with other cutlery.

- Make sure that glasses do not touch other glasses.
- Put small items in the cutlery basket.
- Put light items in the upper basket. Make sure that the items do not move.
- Make sure that the spray arm can move freely before you start a programme.

Before starting a programme

Make sure that:

- The filters are clean and correctly installed.
- The cap of the salt container is tight.
- The spray arms are not clogged.
- There is dishwasher salt and rinse aid (unless you use multi- tablets).
- The position of the items in the baskets is correct.
- The programme is applicable for the type of load and for the degree of soil.
- The correct quantity of detergent is used.

Unloading the baskets

1. Let the tableware cool down before you remove it from the appliance. Hot items can be easily damaged.
2. First remove items from the lower basket, then from the upper basket.



At the end of the programme water can still remain on the sides and on the door of the appliance.

Care and cleaning



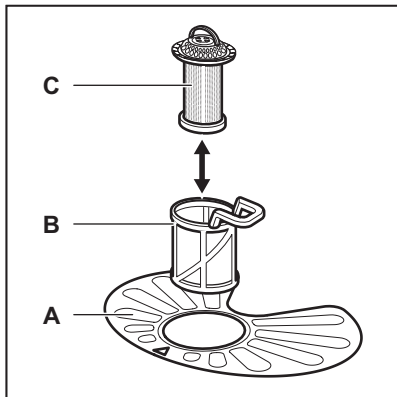
Warning! Before maintenance, deactivate the appliance and disconnect the mains plug from the main socket.



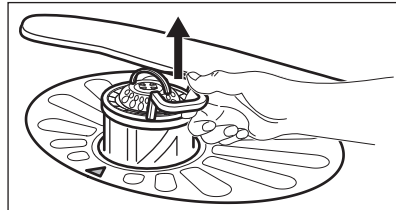
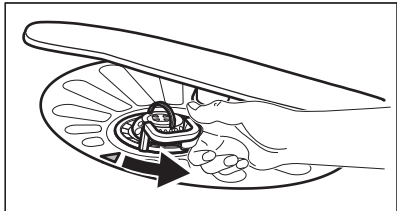
Dirty filters and clogged spray arms decrease the washing results. Make a check regularly and, if necessary, clean them.

Cleaning the filters

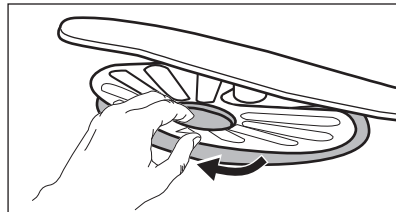
The filter system is made of 3 parts.



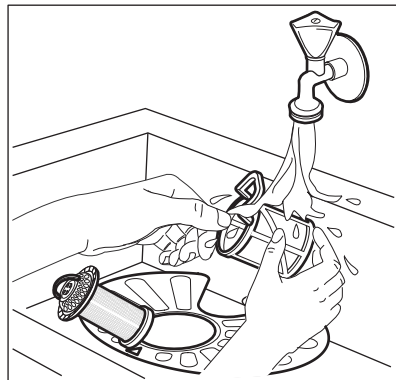
1. Turn the filter (B) counterclockwise and remove it.



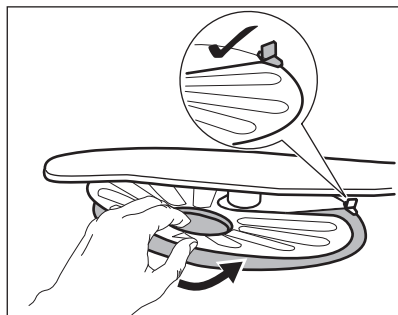
2. Remove the filter (C) out of filter (B).
3. Remove the flat filter (A).



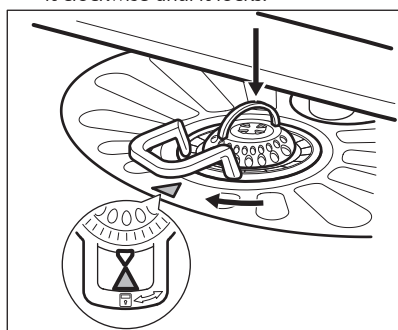
4. Wash the filters.



5. Make sure that there are no residues of food or soil in or around the edge of the sump.
6. Put back in place the flat filter (A). Make sure that it is correctly positioned under the 2 guides.



7. Reassemble the filters **(B)** and **(C)**.
8. Put back the filter **(B)** in the flat filter **(A)**. Turn it clockwise until it locks.



Caution! An incorrect position of the filters can cause bad washing results and damage to the appliance.

Cleaning the spray arms

Do not remove the spray arms. If the holes in the spray arms are clogged, remove remaining parts of soil with a thin pointed object.

External cleaning

- Clean the appliance with a moist soft cloth.
- Only use neutral detergents.
- Do not use abrasive products, abrasive cleaning pads or solvents.

Internal cleaning

- Carefully clean the appliance, including the rubber gasket of the door, with a soft damp cloth.
- If you regularly use short duration programmes, these can leave deposits of grease and limescale inside the appliance. To prevent this, we recommend to run long duration programmes at least 2 times per month.
- To maintain the performance of your appliance at its best, we recommend to use monthly a specific cleaning product for dishwashers. Follow carefully the instructions on the packaging of the product.

Troubleshooting

If the appliance does not start or it stops during operation. Before you contact an Authorised Service Centre, check if you can solve the problem by yourself with the help of the information in the table.

With some problems, the display shows an alarm code.

The majority of problems that can occur can be solved without the need to contact an Authorised Service Centre.



Warning! Repairs not properly done may result in serious risk to the safety of the user. Any repairs must be performed by qualified personnel.

Problem and alarm code	Possible cause and solution
You cannot activate the appliance.	<ul style="list-style-type: none">• Make sure that the mains plug is connected to the mains socket.• Make sure that there is no damaged fuse in the fuse box.
The programme does not start.	<ul style="list-style-type: none">• Make sure that the appliance door is closed.• Press Start.• If the delay start is set, cancel the setting or wait for the end of the countdown.• The appliance has started the procedure to recharge the resin inside the water softener. The duration of the procedure is approximately 5 minutes.
The appliance does not fill with water. The display shows <i>i10</i> or <i>i11</i> .	<ul style="list-style-type: none">• Make sure that the water tap is open.• Make sure that the pressure of the water supply is not too low. For this information, contact your local water authority.• Make sure that the water tap is not clogged.• Make sure that the filter in the inlet hose is not clogged.• Make sure that the inlet hose has no kinks or bends.
The appliance does not drain the water. The display shows <i>i20</i> .	<ul style="list-style-type: none">• Make sure that the sink spigot is not clogged.• Make sure that the filter in the outlet hose is not clogged.• Make sure that the interior filter system is not clogged.• Make sure that the drain hose has no kinks or bends.
The anti-flood device is on. The display shows <i>i30</i> .	<ul style="list-style-type: none">• Close the water tap and contact an Authorised Service Centre.

Problem and alarm code	Possible cause and solution
The appliance stops and starts more times during operation.	<ul style="list-style-type: none"> It is normal. It provides optimal cleaning results and energy savings.
The programme lasts too long.	<ul style="list-style-type: none"> If the delayed start option is set, cancel the delay setting or wait for the end of the countdown.
The remaining time in the display increases and skips nearly to the end of programme time.	<ul style="list-style-type: none"> This is not a defect. The appliance is working correctly.
Small leak from the appliance door.	<ul style="list-style-type: none"> The appliance is not levelled. Loosen or tighten the adjustable feet (if applicable). The appliance door is not centred on the tub. Adjust the rear foot (if applicable).
The appliance door is difficult to close.	<ul style="list-style-type: none"> The appliance is not levelled. Loosen or tighten the adjustable feet (if applicable). Parts of the tableware are protruding from the baskets.
Rattling/knocking sounds from inside the appliance.	<ul style="list-style-type: none"> The tableware is not properly arranged in the baskets. Refer to "Loading cutlery and dishes". Make sure that the spray arms can rotate freely.
The appliance trips the circuit-breaker.	<ul style="list-style-type: none"> The amperage is insufficient to supply simultaneously all the appliances in use. Check the socket amperage and the capacity of the meter or turn off one of the appliances in use. Internal electrical fault of the appliance. Contact an Authorised Service Centre.



Refer to **"Before first use"**, **"Daily use"**, or **"Hints and tips"** for other possible causes.

Once you have checked the appliance, deactivate and activate the appliance. If the

problem occurs again, contact an Authorised Service Centre.

For alarm codes not described in the table, contact an Authorised Service Centre.

The washing and drying results are not satisfactory

The washing and drying results are not satisfactory	
Poor washing results.	<ul style="list-style-type: none"> Refer to "Daily use", "Hints and tips" and "Loading cutlery and dishes". Use more intensive washing programmes. Clean spray arm jets and filter. Refer to "Care and Cleaning".

The washing and drying results are not satisfactory

Poor drying results.	<ul style="list-style-type: none"> • Tableware has been left for too long inside the closed appliance. • There is no rinse aid or the dosage of rinse aid is not enough. Set the rinse aid dispenser to a higher level. • Plastic items may need to be towel dried. • For the best drying performance activate the option Extra dry. • We recommend to always use rinse aid, even in combination with multi-tablets. • For the best drying performance activate AirDry.
There are streaks, whitish stains, or bluish layers on glasses and dishes.	<ul style="list-style-type: none"> • The release quantity of rinse aid is too large. Adjust the rinse aid selector to a lower position. • The quantity of detergent is too large.
Dry water drops on glasses and dishes.	<ul style="list-style-type: none"> • The released quantity of rinse aid is not sufficient. Adjust the rinse aid selector to a higher position. • The quality of the rinse aid can be the cause.
The dishes are wet.	<ul style="list-style-type: none"> • For the best drying performance activate the option Extra dry. • The programme does not have a drying phase or has a drying phase with low temperature. • The rinse aid dispenser is empty. • The quality of the rinse aid can be the cause. • For the best drying performance activate AirDry.
The interior of the appliance is wet.	<ul style="list-style-type: none"> • This is not a defect of the appliance. it is caused by the humidity in the air that condenses on the walls.
Unusual foam during washing.	<ul style="list-style-type: none"> • Use the detergent for dishwashers only. • There is a leak in the rinse aid dispenser. Contact an Authorised Service Centre.
Traces of rust on cutlery.	<ul style="list-style-type: none"> • There is too much salt in the water used for washing. Refer to "The water softener". • Silver and stainless steel cutlery were placed together. Avoid to put silver and stainless steel items close together.
There are residues of detergent in the dispenser at the end of the programme.	<ul style="list-style-type: none"> • The detergent tablet got stuck in the dispenser and therefore was not completely washed away by water. • Water cannot wash away the detergent from the dispenser. Make sure that the spray arm is not blocked or clogged. • Make sure that items in the baskets do not impede the opening of the lid of the detergent dispenser.
Odours inside the appliance.	<ul style="list-style-type: none"> • Refer to "Internal cleaning".
Limescale deposits on the tableware, on the tub and on the inside of the door.	<ul style="list-style-type: none"> • Refer to "The water softener".

The washing and drying results are not satisfactory

Dull, discoloured or chipped tableware.

- Make sure that only dishwasher-safe items are washed in the appliance.
- Load and unload the basket carefully. Refer to "**Loading cutlery and dishes**".
- Place delicate items in the upper basket.

Technical information

Dimensions	Width / height / depth (mm)	600 / 850 / 625
Electrical connection ¹⁾	Voltage (V)	220 - 240
	Frequency (Hz)	50
Water supply pressure	Min. / max. bar (MPa)	0.5 (0.05) / 8 (0.8)
Water supply	Cold water or hot water ²⁾	max 60 °C
Capacity	Place settings	13
Power consumption	Left-on mode (W)	5.0
Power consumption	Off-mode (W)	0.50

1) Refer to the rating plate for other values.

2) If the hot water comes from alternative source of energy, (e.g. solar panels, aeolian energy), use the hot water supply to decrease energy consumption.

Installation



Warning!

- It is dangerous to alter the specifications or attempt to modify the appliance in any way.
- This appliance is heavy. Care should be taken when moving it.
- Care must be taken to ensure that the appliance does not stand on the electrical supply cable.
- Any electrical or plumbing work required to install this appliance must be carried out by a qualified electrician or plumber.

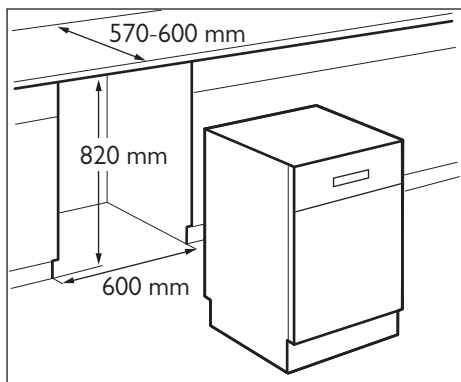
Unpacking

- Remove all packaging before positioning the appliance.
- Position the appliance next to a water tap and a drain.

Fitting under the kitchen counter

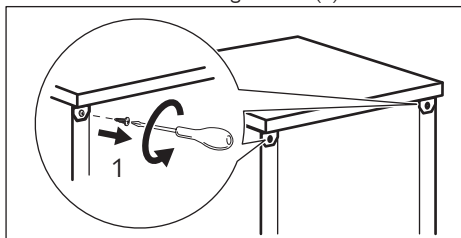
By removing the worktop of the appliance, you can install it under the kitchen counter or a close fitting sink.

The dimensions of the recess must correspond to those in the picture.

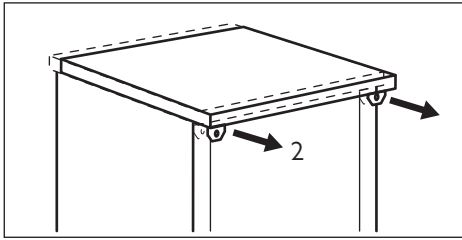


Removing the appliance worktop

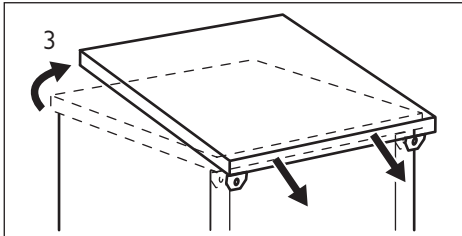
1. Remove the appliance worktop by unscrewing the two rear retaining screws (1).



2. Pull the worktop from the back of the appliance (2).



3. Lift the worktop (3) and slide it out of the front slots.



Insert the appliance once the levelling has been done. When inserting the appliance, ensure that the water inlet and drain hoses are not kinked or squashed. During all operations that involve accessibility to internal components the appliance must be unplugged. Be sure that once the appliance has been installed, it is easily accessible for the service engineer in the event that a repair is required. If the appliance is later used as a freestanding appliance, the original worktop must be reassembled. The plinth on freestanding appliances is not adjustable.



Caution! It is necessary to protect the underside of the kitchen worktop from condensation. A plastic top cover can be purchased, contact your local John Lewis branch.

Levelling of the appliance

Good levelling is essential for correct closure and sealing of the appliance door. When the appliance is correctly levelled, the door will not catch on either side of the cabinet. If the appliance door does not close correctly, loosen

or tighten the adjustable feet until the level of the appliance is perfect.

Water connection

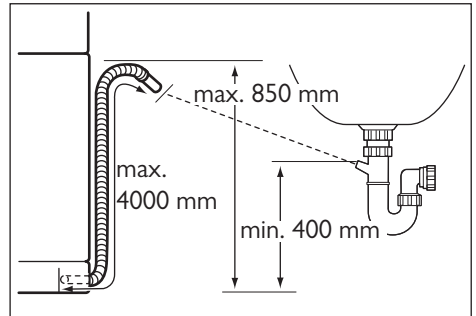
Water inlet connection

- This appliance may be fed with either hot (maximum 60 °C) or cold water. Nevertheless we advise you use a cold water supply. A hot water supply is not always efficient with heavily soiled crockery as it shortens the washing programmes a lot.
- For making the connection itself, the coupling nut fitted to the appliance inlet hose is designed to screw onto a 3/4" gas thread spout or to a purpose made quick-coupling tap such as the Press-block.
- The water pressure must be within the limits given in the 'Technical information'. Your local Water Authority will advise you on the average mains pressure in your area.
- The appliance features inlet and drain hoses which can be turned either to the left or the right to suit the installation by means of the locknut. The locknut must be correctly fitted to avoid water leaks.
- This appliance has been fitted with safety features which will prevent the water used in the appliance from returning back into the drinking water system. This appliance complies with the applicable plumbing regulations.

Water drain connection

The end of the drain hose can be connected in the following ways:

- To the sink outlet spigot, securing it to the underside of the work surface. This will prevent waste water from the sink running into the appliance.
- To a stand pipe provided with venthole, minimum internal diameter 4 cm.



The drain hose can face either to the right or left of the appliance.

Ensure the drain hose is not bent or squashed as this could prevent or slow down the discharge of water.

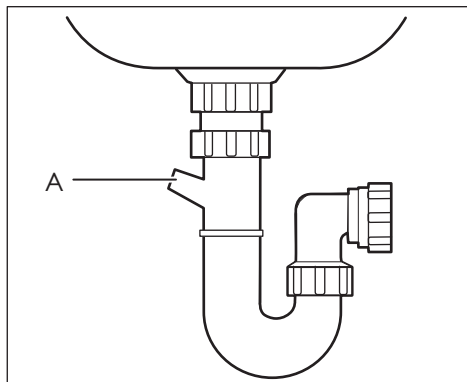
The sink plug must not be in place when the appliance is draining as this could cause the water to syphon back into the appliance.

If you use a drain hose extension, the internal diameter must be no smaller than the diameter of the hose provided.

Likewise the internal diameter of the couplings used for connections to the waste outlet must be no smaller than the diameter of the hose provided.

Our appliances are supplied with a security device to protect against the return of dirty water back into the appliance. If the spigot of your sink has a "no return valve" incorporated this can prevent the correct draining of your appliance. We therefore advise you to remove it.

When connecting the drain hose to an under sink trap spigot, the entire plastic membrane (A) must be removed. Failure to remove all the membrane will result in food particles building up over time eventually blocking the appliance drain hose spigot.



Electrical connection



Warning! The manufacturer accepts no liability for failure to observe the following safety precautions.

- Safety standards require the appliance to be earthed.
- Prior to using the appliance for the first time, ensure that the rated voltage and type of supply on the rating plate match that of the supply where the appliance is to be installed. The fuse rating is also to be found on the rating plate.
- Always plug the mains plug into a correctly installed shockproof socket.
- Multi-way plugs, connectors and extension cables must not be used. This could constitute a fire hazard through overheating.
- If necessary, have the domestic wiring system socket replaced. In case that the electrical cable has to be replaced, contact your local repair agent.
- The plug must be accessible after the appliance has been installed.
- Never unplug the appliance by pulling on the cable. Always pull the plug.
- The appliance is supplied with a 13 amp plug attached. Use a 13 amp ASTA approved (BS 1362) fuse if it is necessary to change the fuse in the plug supplied.
- This appliance complies with the E.C.C. Directives.

Repairs - after sales service

Your original receipt acts as your guarantee and confirms your guarantee period. Please make sure you retain it. The guarantee does not cover you against faults caused by accidental damage or misuse. For further details visit johnlewis.com/customer-services. If it is not working correctly refer to the "Troubleshooting" chapter in this user manual. If a fault occurs which you can not resolve through following the advice and information contained within this instruction manual, the next step is to contact John Lewis technical support on:

0330 1230106

They will give you details for your local service engineer. Before calling out an engineer, please ensure you have read the details under the heading "Troubleshooting".

When you contact your local service engineer you will need to give the following details:

1. Your name, address and post code
2. Your telephone number
3. Clear and concise details of fault
4. The purchase date as found on your receipt
5. The model and serial number of the appliance. So that you always have these numbers at hand, we recommend you to make a note of them here:
 - Mod.....
 - P.N.C.....
 - S.N.....

IMPORTANT: If you call out an engineer to a fault listed under the heading "Troubleshooting", or to repair a fault caused by incorrect use or installation, a charge will be made even if the appliance is under guarantee.

Spare parts

Always insist on genuine spare parts.

An authorised service engineer should service this product, and only genuine spare parts should be used. Under no circumstances should you attempt to repair the appliance yourself. Repairs carried out by inexperienced persons may cause injury or serious malfunctioning. Please contact John Lewis technical support on 0330 1230106 for assistance.

Shopping is easy with John Lewis Shops

John Lewis, Aberdeen 01224 625 000
John Lewis, Basingstoke 01256 406200
John Lewis, Bluewater 01322 624 123
John Lewis, Brent Cross 020 8202 6535
John Lewis, Birmingham 0345 604 9049
John Lewis, Cambridge 01223 361 292
John Lewis, Cardiff 02920 536 000
John Lewis, Cheadle 0161 491 4914
John Lewis, Chelmsford 0124 545 8400
John Lewis, Cribbs Causeway 0117 959 1100
John Lewis, Edinburgh 0131 556 9121
John Lewis, Exeter 01392 284150
John Lewis, Glasgow 0141 353 6677
John Lewis, High Wycombe 01494 462 666
John Lewis, Kingston 020 8547 3000
John Lewis, Leicester 0116 242 5777
John Lewis, Leeds 0113 3946299
John Lewis, Liverpool 0151 709 7070
John Lewis, Milton Keynes 01908 679 171
John Lewis, Newcastle upon Tyne 0191 232 5000
John Lewis, Norwich 01603 660 021
John Lewis, Nottingham 0115 941 8282
John Lewis, Oxford Street 020 7629 7711
John Lewis, Peterborough 01733 344 644
John Lewis, Reading 0118 957 5955
John Lewis, Sheffield 0114 276 8511
Peter Jones, Sloane Square 020 7730 3434
John Lewis, Solihull 0121 704 1121
John Lewis, Southampton 02380 216 400
Knight & Lee, Southsea 02392 827 511


John Lewis, Stratford 020 8532 3500
John Lewis, The Trafford Centre 0161 491 4040
John Lewis, Watford 01923 244 266
John Lewis, Welwyn 01707 323 456


John Lewis at home

John Lewis, Ashford 01233 811 010
John Lewis, Chester 01244 393 880
John Lewis, Chichester 01243 813 030

John Lewis, Croydon 020 8662 4730
John Lewis, Horsham 01403 214 740
John Lewis, Ipswich 01473 275 850
John Lewis, Newbury 01635 263 980
John Lewis, Poole 01202 756 020
John Lewis, Swindon 01793 733 180
John Lewis, Tamworth 01827 300 580
John Lewis, Tunbridge Wells 01892 506 830
John Lewis, York 01904 557 950

ENVIRONMENTAL CONCERNS

Recycle the materials with the symbol . Put the packaging in applicable containers to recycle it. Help protect the environment and human health and to recycle waste of electrical and electronic appliances. Do not dispose appliances

marked with the symbol  with the household waste. Return the product to your local recycling facility or contact your municipal office.



156915672-A-202017 (Subject to change without notice.)

John Lewis