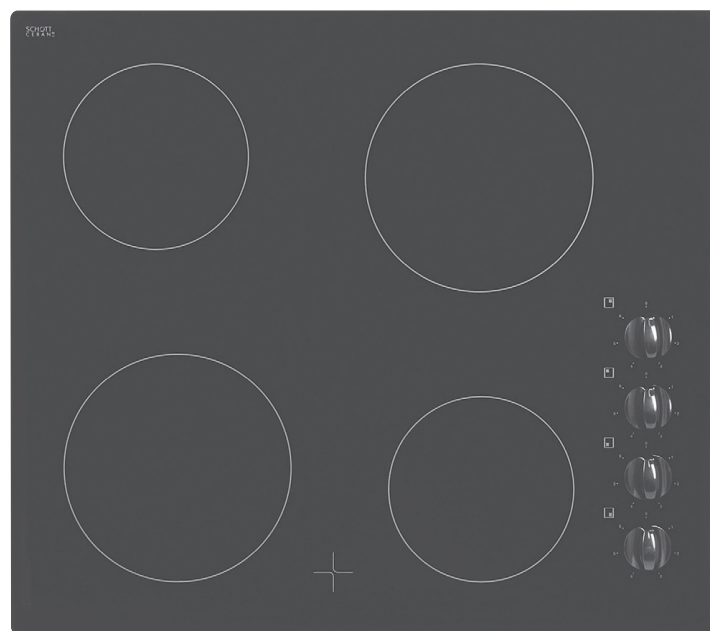


currys essentials

BUILT-IN ELECTRIC CERAMIC HOB

INSTRUCTION / INSTALLATION MANUAL
CCHOBKN13





Contents

Safety Warnings	4
Unpacking	6
Installation	7
Location.....	7
Preparing the Worktop.....	8
- Cut-out Dimensions.....	8
- Product Overall Dimensions.....	8
Fitting the Hob into the Worktop.....	8
Connecting the Hob to the Mains Power Supply	9
Product Overview	10
The Main Unit.....	10
Control Panel.....	10
Before Use	11
Using the Hob	11
Residual heat functions.....	11
Choosing the Right Cookware	12
Cookware Guidelines	12
Cleaning and Maintenance	13
Specifications	14

Safety Warnings

IMPORTANT SAFETY INSTRUCTIONS READ CAREFULLY AND KEEP FOR FUTURE REFERENCE

- It is recommended that this appliance is installed by a qualified electrical engineer. The manufacturer is not responsible for any damage caused by incorrect installation.
- Check whether there is any damage to the appliance after you have unpacked it. If any damage is found, do not use the appliance and contact the store where you purchased it.
- This appliance is for Domestic Use only.
- For disconnection from the mains supply you must have a switch with a contact separation of at least 3.0 mm in all poles and rated 32 Amp that provides full disconnection, this must be incorporated in the fixed wiring in accordance with the local wiring rules.
- If your mains cable gets damaged, it should be replaced by an authorized service agent or qualified electrician in order to avoid danger or electric shock.
- Only operate your appliance in a dry atmosphere.
- Keep the electrical cables of your other appliances away from hot areas; do not let them touch the appliance.
- Ensure that the appliance is switched off at the mains supply switch and allowed it to completely cool down before cleaning or performing any maintenance to avoid the possibility of an electric shock.
- Use of your appliance creates moisture in the room in which it is placed, make sure that your kitchen is well ventilated. Maintain the natural ventilation ducts properly.
- This appliance is not intended for use by persons (including children) with reduced physical, sensory and mental capabilities, or lack of experience and knowledge, unless they have been given supervision or instruction concerning the use of the appliance by a person responsible for their safety.
- Cleaning and user maintenance shall not be made by children without supervision.

- Children should be supervised to ensure that they do not play with the appliance.
- The appliance and its accessible parts become hot during use. Young children should be kept away.
- During use the appliance becomes hot. Care should be taken to avoid touching the cooking zones.
- Unattended cooking on a hob with fat or oil can be dangerous and may result in fire. NEVER try to extinguish a fire with water, but switch off the appliance and then cover the flame e.g. with a lid or a fire blanket.
- Danger of fire: Do not store items on the cooking surfaces.
- Do not use harsh abrasives cleaners to clean the glass since they can scratch the surface.
- Glass ceramic hobs should not be used as a worktop. Sharp objects may cause scratches.
- Before starting to use your appliance, keep curtains, tulle, paper or flammable materials away from your appliance. Do not keep combustible or flammable things in or on the appliance.
- This appliance is for cooking purposes only. It must not be used for other purposes, for example room heating.
- Do not use steam cleaners for cleaning the appliance.
- If the hob surface is cracked, switch off the appliance to avoid possibility of electric shock.
- Take care when handling parts with glass, knocks, chips, heavy handling and dropping could cause the glass to shatter.
- The appliance is not intended to be operated by means of an external timer or separate remote-control system.
- If the surface is cracked, switch off the appliance to avoid the possibility of electric shock.
- Metallic objects such as knives, forks, spoons and lids should not be placed on the hob surface since they can get hot.

Thank you for the purchase of your new Logik Built-in Electric Ceramic Hob.

You must read this manual in order to fully understand how to operate it correctly.

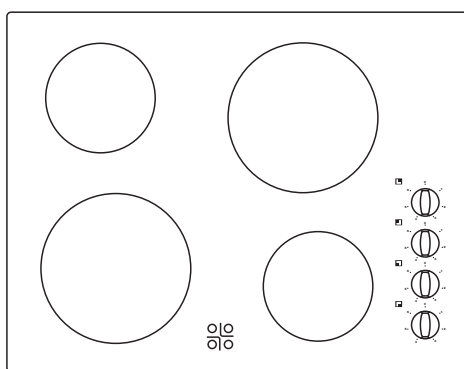
This unit **MUST** be installed by a competent and registered engineer. Please allow the installer to view the installation section of this manual.

Read all the safety warnings carefully before use and keep this manual for future reference.

Unpacking

Remove all packaging from the unit. Retain the packaging. If you dispose of it please do so according to local regulations.

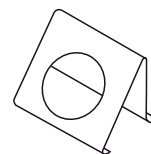
The following items are included:



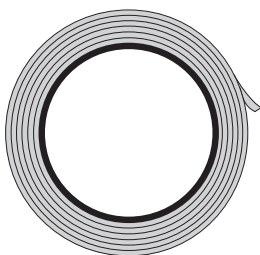
Main Unit



Screw × 4



Mounting Bracket × 4



Self adhesive sealing tape



If items are missing or damaged please contact Partmaster (UK only). Tel: 0844 800 3456 for assistance.

* All images are for indication only; please refer to your individual unit for actual item.

Installation



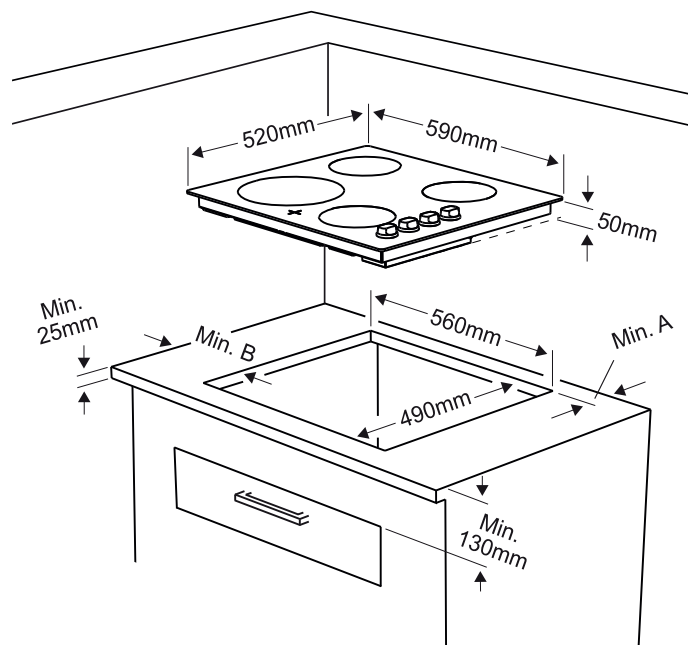
The electrical connection of this hob should be carried out by an authorised service personnel or a qualified electrician, according to the instructions in this guide and in compliance with the current regulations.

- Before connecting your appliance to the mains at home, make sure to check the conformity of voltage settings, which are specified on the information sticker attached to the appliance and/or packaging, with the usage conditions available.
- The laws, ordinances, directives and standards in force in the country of use are to be followed (safety regulations, proper recycling in accordance with the regulations, etc.)

Location

After removing the packaging material from the appliance and its accessories, ensure that the hob is not damaged. If you suspect any damage, do not use the appliance and contact an authorised service personal or a qualified electrician immediately.

See the diagram below for positioning dimensions.



Neighbourhood Walls	A (mm)	B (mm)
Combustible	60	150
Non-combustible	25	40

* All images are for indication only; please refer to your individual unit for actual item.

Preparing the Worktop

Cut out the work surface following the dimensions shown in the drawing below.

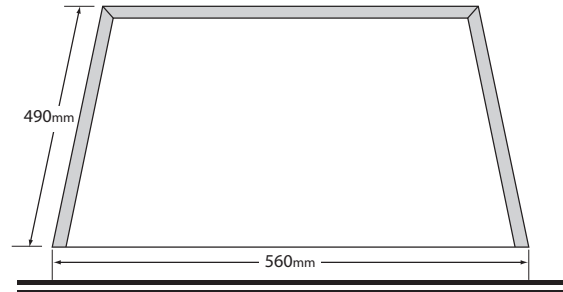
- For the purpose of installation and use, a minimum distance of 5cm space must be left around the cut out.
- Be sure the thickness of the work surface is at least 20mm. Use a heat-resistant work surface material to avoid deformation caused by the heat from the hob. The minimum distance between the hob and the cupboard should be at least 65cm.

Cut-out Dimensions

The dimensions of the cut-out are shown in the diagram.



All measurements given in millimetres (mm) and cutout dimensions are given as: 'nominal measurement'

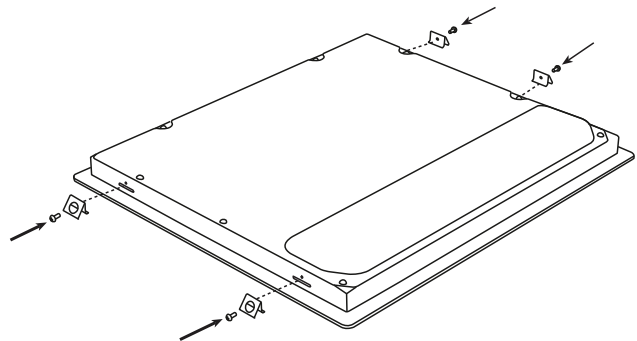
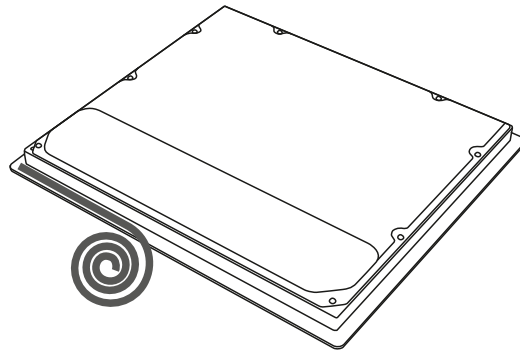


Product Overall Dimensions

Width: 590mm Depth: 520mm

Fitting the Hob into the Worktop

1. Turn the hob upside down and place it on a soft surface.
2. Apply the single-sided self adhesive sealing tape (supplied) to the underside of the outer edge of the glass ceramic panel. Ensure the sealing tape is not stretched.
3. Screw the worktop mounting brackets into the side walls of the panel as shown.
4. Insert the appliance into the aperture.



- The hob must be installed by qualified personnel or technicians.
- The hob should not be mounted above cooling equipment, dishwashers and rotary dryers.
- All surfaces around the hob should be able to withstand the heat generated by the hob.
- Never use a steam cleaner to clean the hob.
- Do not use a silicon sealant to seal the appliance against the aperture. This will make it difficult to remove the hob from the aperture, particularly if it needs to be serviced.

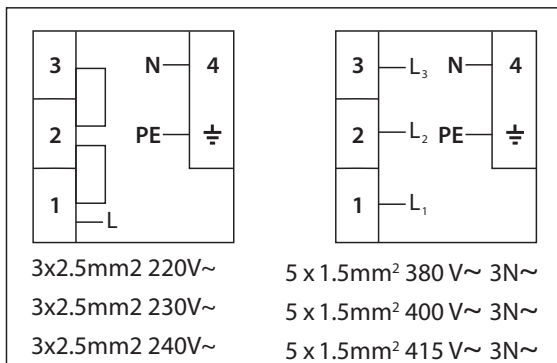
* All images are for indication only; please refer to your individual unit for actual item.

Connecting the Hob to the Mains Power Supply



- If the mains cable is damaged and needs to be replaced, this should be done by a qualified person using the proper tools, so as to avoid any accidents.
- If the ceramic hob is being connected directly to the mains supply, an omnipolar circuit breaker must be installed with a minimum gap of 3mm between the contacts.
- The installer must ensure that the correct electrical connection has been made and that it complies with safety regulations.
- The mains cable must not be bent or compressed.
- The mains cable must be checked regularly and only replaced by a qualified person.

- Before proceeding with the electrical connection, verify that the current carrying capacity of the system and the socket is adequate for the maximum power rating of the hob.
- Electrical installation of the residence and the electrical current plug in use must be earthed and conform with safety regulations.
- If there is no dedicated hob circuit and fused switch, they must be installed by a qualified electrician before the hob is connected.
- Fused switch must be easily accessible once the hob has been installed.
- Do not use adaptors, multiple sockets and/or extension leads.
- This appliance conforms with the requirements of the following EEC Directives: Vitroceramic hob EEC/73/23 and 93/68, EEC/89/336 relating to radio interference, EEC/89/109 relating to contact with foods.
- A circuit breaker with a contact opening of at least 3mm, rated 32A and delayed functioning type must be installed inside the supply circuit.
- For the vitroceramic hob, the cable must be H05VV-F 5X1.5mm² for 3 phase or 3X2.5mm² for single phase / 60227 IEC 53. You will find the connection diagram shown on the bottom of your appliance.

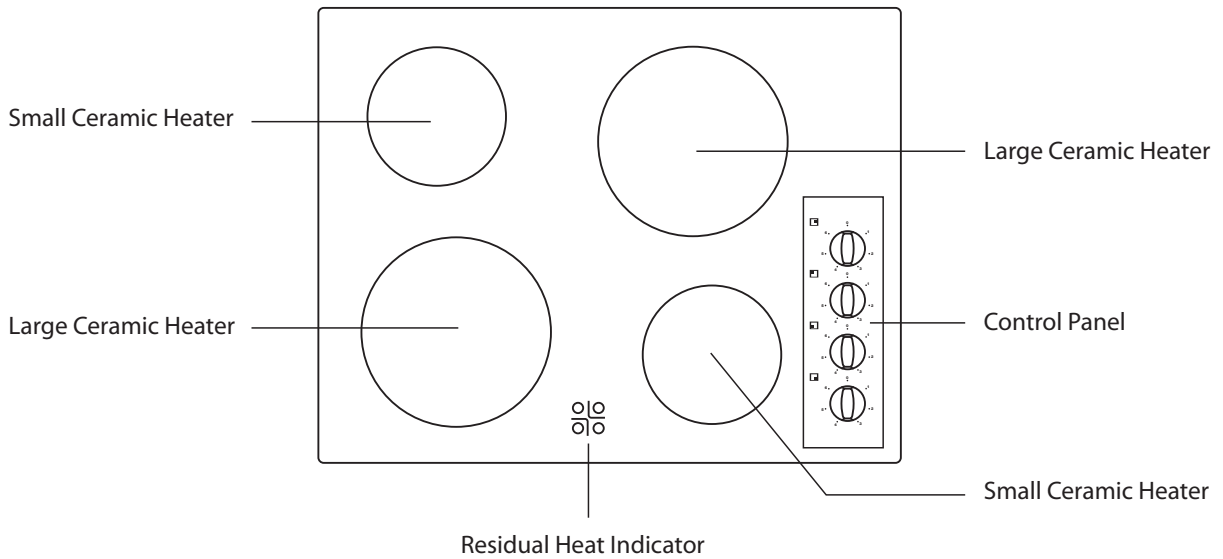


- During installation, please insure that isolated cables are used. An incorrect connection might damage your appliance. The guarantee will not cover such damages.
- All repairs must be carried out by an authorised service personal or a qualified electrician.
- Unplug your appliance before each maintenance. For reconnection, follow the connection diagrams strictly.
- Cooking hobs not provided with supply cord.

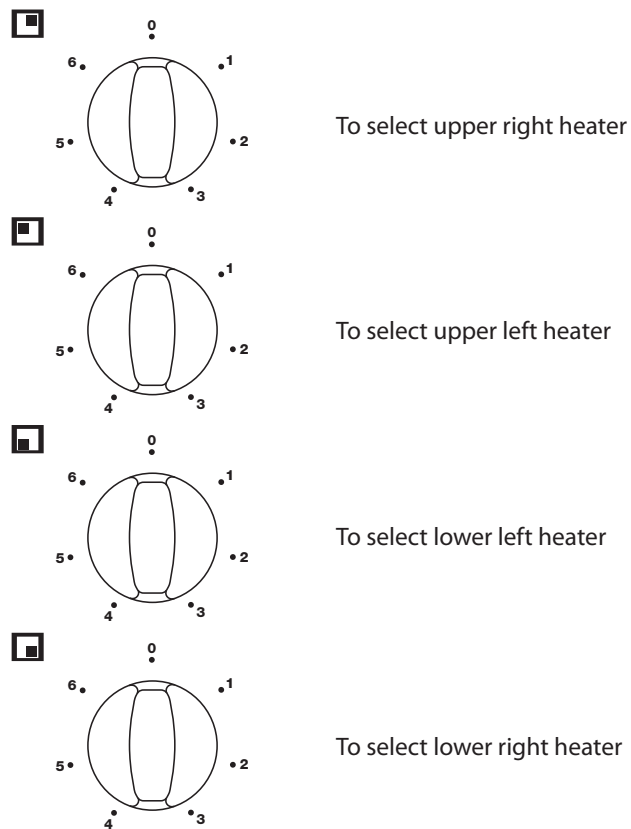
* All images are for indication only; please refer to your individual unit for actual item.

Product Overview

The Main Unit



Control Panel



* All images are for indication only; please refer to your individual unit for actual item.

Before Use

Before using your new hob, please:

- Read this manual fully taking special note of the 'Safety Warnings' section.
- Plug the hob into the electricity supply and turn it on so that the ignition circuit will work.

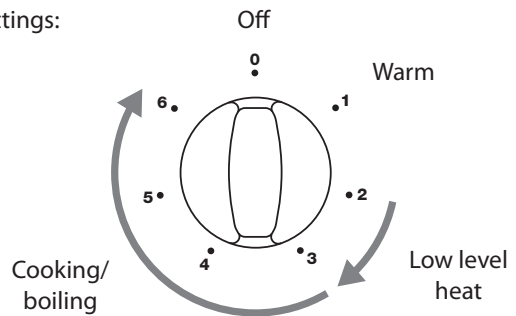
Remove any protective film that may still be on your ceramic hob.

Using the Hob

Each of the cooking zones has a separate controller with 6 heat settings:

Choose the control for the burner you want to use.

Heat Setting	Suitability
1	Keeping food warm
2 - 3	Cooking at low heat
4 - 6	Cooking and boiling



1. Turn the required zone control clockwise to increase the temperature to the desired level.
2. When turning the hob off, turn the control in a clockwise direction to the off mark '0'.



This appliance is for cooking purposes only. It must not be used for other purposes, e.g. room heating.

Residual heat functions

After using the hob there will be heat stored in the vitroceramic glass. This is called residual heat. If the residual heat level is greater than 60°C a warning lamp will show for the cooking zone above this temperature. There are separate warning lights for each cooking zone.



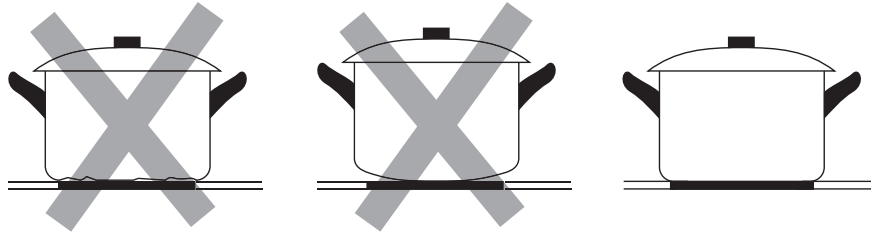
If the power supply to the hob is disconnected while a residual temperature warning light is on, the warning light will flash when the power is reconnected. The display will stop flashing once the maximum residual heat time has expired, or one of the cooking zones is activated.

* All images are for indication only; please refer to your individual unit for actual item.

Choosing the Right Cookware

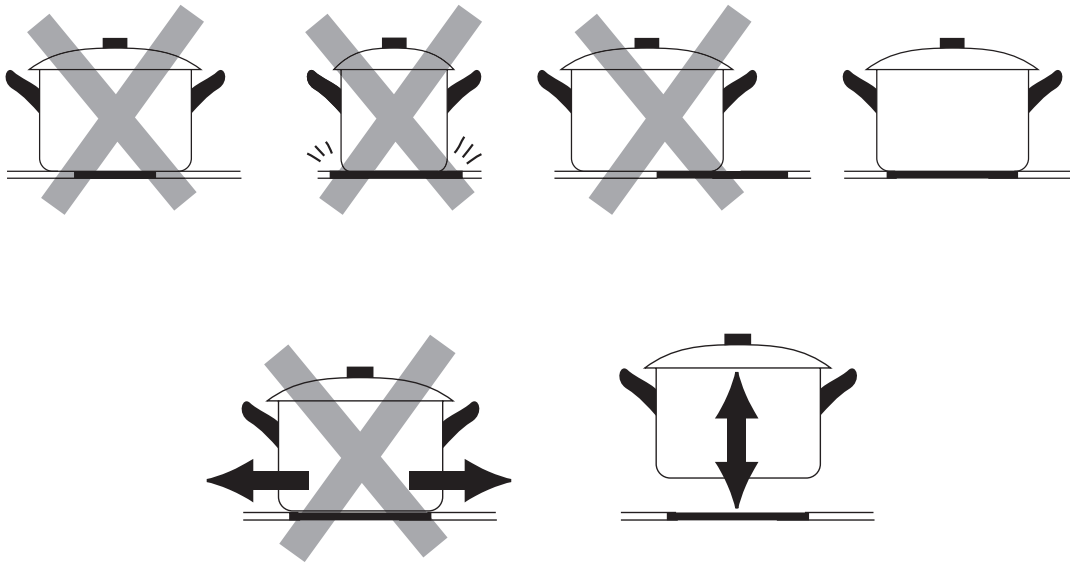
Do not use cookware with jagged edges or a curved base.

Make sure that the base of your pan is smooth, sits flat against the glass, and is the same size as the cooking zone.



Always centre your pan on the cooking zone.

Always lift pans off the ceramic hob – do not slide, or they may scratch the glass.



Cookware Guidelines

To get the best out of your hob, follow these simple suggestions:

- Use saucepans with thick flat bottoms. Food in a saucepan with an uneven bottom will take longer to cook.
- When you need to boil, simmer or fry food, first set the temperature to the High position. Once the food is boiling, reduce the temperature to maintain a steady heat to cook your food thoroughly. Doing this will reduce the cooking time and save energy.
- Using a lid will reduce cooking times and save energy.
- When liquid comes to a boil, reduce the temperature setting to maintain the desired level of boiling.
- Choose cookware of the proper size, material and construction.
- Minimise the amount of liquid or fat to reduce cooking times.
- Select the proper temperature setting for the cooking task.

* All images are for indication only; please refer to your individual unit for actual item.

Cleaning and Maintenance

What?	How?	Important!
Everyday soiling on glass (fingerprints, marks, stains left by food or non-sugary spillovers on the glass)	<ol style="list-style-type: none"> 1. Switch the power to the ceramic hob off. 2. Apply a ceramic hob cleaner while the glass is still warm (but not hot!) 3. Rinse and wipe dry with a clean cloth or paper towel. 	<ul style="list-style-type: none"> • When the power to the ceramic hob is switched off, there will be no 'hot surface' indication but the cooking zone may still be hot! Take extreme care. • Heavy-duty scourers, some nylon scourers and harsh/abrasive cleaning agents may scratch the glass. Always read the label to check if your cleaner or scourer is suitable. • Never leave cleaning residue on the ceramic hob: the glass may become stained.
<p>Boilovers, melts, and hot sugary spills on the glass</p> <p>Melted aluminium foil or plastic</p>	<p>Remove these immediately with a fish slice, palette knife or razor blade scraper suitable for ceramic glass ceramic hobs, but beware of hot cooking zone surfaces:</p> <ol style="list-style-type: none"> 1. Switch the power to the ceramic hob off. 2. Hold the blade or utensil at a 30° angle and scrape the soiling or spill to a cool area of the ceramic hob. 3. Clean the soiling or spill up with a dish cloth or paper towel. 4. Follow steps 2 to 3 for 'Everyday soiling on glass' above. 	<ul style="list-style-type: none"> • Remove stains left by melts and sugary food or spillovers as soon as possible. If left to cool on the glass, they may be difficult to remove or even permanently damage the glass surface. • Cut hazard: when the safety cover is retracted, the blade in a scraper is razor-sharp. Use with extreme care and always store safely and out of reach of children.



To avoid shock hazard, always disconnect the hob from the electrical supply.

Specifications

Model	CCHOBKN13
Rated Voltage	230 V
Rated Frequency	50 Hz
Power Consumption	6000-6500 W
Net Weight	7.5 kg
Product Dimensions	
External Width	59 cm
External Depth	52 cm
Product Dimensions	
Internal Width	56 cm
Internal Depth	49 cm

Features and specifications are subject to change without prior notice.





For general information about this appliance
and handy hints and tips, please visit
www.knowhow.com/knowledgebank or call **0844 5611234**.



Visit Partmaster.co.uk today for the easiest way to buy electrical spares and accessories. With over 1 million spares and accessories available we can deliver direct to your door the very next day. Visit www.partmaster.co.uk or call 0844 800 3456 (UK customers only). Calls charged at National Rate.



This symbol on the product or in the instructions means that your electrical and electronic equipment should be disposed at the end of its life separately from your household waste. There are separate collection systems for recycling in the EU.

For more information, please contact the local authority or your retailer where you purchased the product.

DSG Retail Limited (Registered in England No. 504877)
Maylands Avenue, Hemel Hempstead, Hertfordshire HP2 7TG. UK

IB-CCHOBKN13-130411V1