



timeSWITCH 150

GB

For the owner and heating engineer

Operating and installation manual

timeSWITCH 150

24-hour timer

GB, IE

Contents

Notes on the documentation	4	2.3 Setting slides.....	9
Other valid documents.....	4	2.4 Setting the heating program.....	9
Symbols used.....	4	2.5 Weekend mode	9
Storage of the documents.....	5	2.6 Summer time mode.....	9
Safety	5	2.7 Power failure	10
Operating instructions	5	3 Recycling and disposal	10
1 Description of the device	5	Installation manual	11
2 Operation	8	4 Information on the installation and operation	11
2.1 Selecting the operating mode	8	4.1 CE label.....	11
2.2 Setting the timer	8	4.2 Intended use.....	11

5	Safety instructions and regulations.....	13
5.1	Safety instructions	13
5.2	Regulations.....	14
6	Installation	14
7	Start-up.....	16
8	Handing over to the owner	17
9	Customer service and warranty	18
10	Technical data.....	19

Notes on the documentation

The following information is intended to help you throughout the entire documentation. Further documents apply in combination with this operating and installation manual.

We accept no liability for any damage caused by failure to observe these instructions.

Other valid documents

Operating and installation manuals for all system components

Symbols used

Please observe the safety instructions in this manual.

The symbols used in the manual are explained below:



Caution!

Potentially dangerous situations for the product and environment!



Note!

Useful information and instructions

- Symbol for a required task

Storage of the documents

Please pass on this operating and installation manual to the owner of the system so that it is available whenever it is required.

Safety

The timer must be installed by an approved specialist, who is responsible for the observance of the relevant standards and regulations.

Operating instructions

1 Description of the device

The timeSWITCH 150 timer is a 24-hour timer used to time control Vaillant boiler with or without hot water supply. The timer is installed at the front of Vaillant ecoTEC combi boilers.

1 Description of the device

Overview of the device

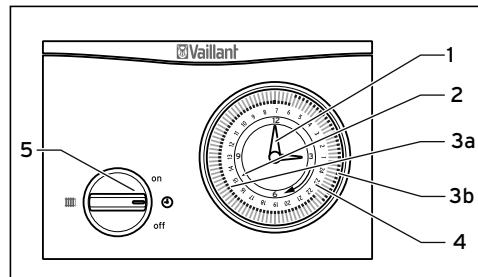


Fig. 1.1 Overview of the device

Key

- 1 Minute hand
- 2 Time mark
- 3a Slide pushed in (boiler on)
- 3b Slide pulled out (boiler off)
- 4 Time of day
- 5 Operating mode switch

Minute hand (1)

For displaying and setting the time.

Time mark (2)

The triangular time mark indicates the time of day (e. g. 3.00 pm in Fig. 1.1).

Slide pushed in (3a)

The boiler is switched on by a pushed in slide and remains on until the timer arrives at a pulled out slide.

Slide pulled out (3b)

The boiler is switched off by a pulled out slide and remains off until the timer arrives at a pushed in slide.

Time of day (4)

The time of day is indicated by the time mark of the movable number ring with the time of day. The time of day is indicated by a 24-hour scale.

Operating mode switch (5)

This switch is used to select the operating mode (refer to Section 2.1).

2 Operation

2.1 Selecting the operating mode

You can use the operating mode switch (5) to change the operating mode of your boiler as desired.

- The boiler is switched off permanently if set to "off".
- The boiler is switched on permanently if set to "on".
- The boiler is time controlled according to the slide settings if set to "⊙".

2.2 Setting the timer

Viewing the time of day

The time of day is indicated by the number ring on the time mark (2).



Note!

The timer has a 24-hour scale. 15:00 therefore corresponds to 3 pm.

Setting the time

- Turn the minute hand (1) clockwise until the desired time of day (4) is set on the time mark (2) and the hand of the clock indicates the desired time.

2.3 Setting slides

Set the slides as follows:

- Push the slides inwards for heating periods (**3a**).
- Pull the slides outwards for periods without heating (**3b**).

2.4 Setting the heating program

- Set the slides as desired and set the operating mode switch (**5**) to the automatic heating program "⌚".

2.5 Weekend mode

- Turn the operating mode switch to "on" if the boiler is to be permanently on, during the weekend for example.
- To return to the automatic heating program, turn the operating mode switch to "⌚".

2.6 Summer time mode

- Set the operating mode switch to "off" to permanently switch off the boiler.

2.7 Power failure

The timer cannot be operated with batteries. The clock is switched off in the event of a power failure. The set program is retained however. The preset program is resumed once the timer is supplied with power again.



Note!

After a power failure you must check the time of day and adjust it if necessary (refer to Section 2.2)!

3 Recycling and disposal

Neither the timer nor any of its accessories belong in the household waste. Make sure the old device and any existing accessories are disposed of properly.

Installation manual

4 Information on the installation and operation

All electrical work should be carried out by a specialist in accordance with the BS 7671 standard (IEE installation guidelines).

4.1 CE label

The CE label guarantees that the timer complies with the basic provisions of the Low voltage directive (Council Directive 2006/95/EC) and, where Vaillant heating

systems are concerned, the basic provisions of the EEC's Electromagnetic compatibility directive (Council Directive 2004/108/EC).

4.2 Intended use

The timeSWITCH 150 is a state-of-the-art 24-hour timer which has been designed in accordance with approved safety regulations. Nevertheless, there is still a risk of injury or death to the user or third parties or damage to the device and other property if the device is used improperly.

The timeSWITCH 150 timer is a 24-hour timer used to time control Vail-

4 Information on the installation and operation

lant boilers with or without hot water supply.

The timer is installed at the front of Vaillant ecoTEC combi boilers.

Any other use or extended use is considered to be other than intended. The manufacturer/ supplier is not liable for any resulting damage. The heating engineer and/or the owner alone bear the risk. Intended use includes the observance of the operating and installation manual.



Any improper use is forbidden!

All Vaillant boilers are equipped with an anti-freeze thermostat.



Note!

This timer is not suitable for being used together with an external anti-freeze thermostat.

5 Safety instructions and regulations

The device must be installed by an approved company specialised in heating engineering, which is responsible for compliance with existing standards and regulations. We accept no liability for any damage caused by failure to observe these instructions.

5.1 Safety instructions



Caution!

Risk of damage to the device by short-circuits!

Before performing work on the device, switch off the power supply and secure it against being switched on again.

Only take the timer from the base after disconnecting it from the power supply.

5.2 Regulations

All wiring must be in accordance with Building Regulations Part P and BS 7671 (IEE Wiring Regulations), and must be carried out by a suitably qualified person.

6 Installation

The timer is connected to the boiler by pin header connectors on the timer. The timer is pushed directly into the installation recess provided for this purpose, establishing an electrical connection to the boiler in the process.



Note!

When fitting the controller in the control cabinet of the boiler, follow the controller installation instructions in the installation instructions for the boiler.

- Switch off the boiler.
- Disconnect the appliance from the power supply.
- Undo the cover from the switch box.
- Check which type of electronics box the boiler has:

If there are **vertical** plug connections with pins on the electronics box:

- Carefully press the timer into the connection in the electronics box.

If there are **horizontal** plug connections without pins on the electronics box:

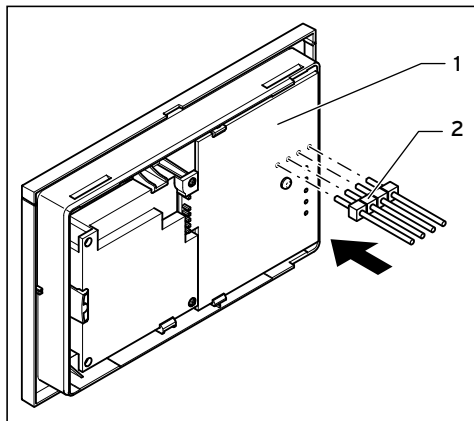


Fig. 6.1 Connecting the pin header

6 Installation; 7 Start-up

- Insert the short ends of the 4-pin header connector (**2**) included with the timer into the four horizontal openings on the PCB for the timer (**1**).
- Carefully press the timer unit with the pin header connector into the connection in the electronics box.

7 Start-up

- Switch on the power supply for the boiler.
- Put the boiler into service in accordance with the operating and installation manual of the boiler.

8 Handing over to the owner

You must show the owner how to handle the timer and inform the owner about its functions. Please use this checklist:

Handover	Done
Hand over any instructions intended for the owner as well as the documents of the appliance and device.	
Go through the operating manual with the owner and answer any questions.	
Draw special attention to the safety instructions, which the owner must follow.	
Tell the owner to keep the manuals near the boiler together with the timer.	

Table 8.1 Handing over to the owner

9 Customer service and warranty

Vaillant service

To ensure regular servicing, it is strongly recommended that arrangements are made for a Maintenance Agreement. Please contact Vaillant Service Solutions (0870 6060 777) for further details.

Vaillant warranty

We only grant a Vaillant manufacturers warranty if a suitably qualified engineer has installed the system in accordance with Vaillant instructions. The system owner will be granted a warranty in accordance with the Vaillant terms and conditions. All requests for work during the guarantee period must be made to Vaillant service (0870 6060 777). All wiring must be in accordance with Building Regulations Part P and BS 7671 (IEE Wiring Regulations), and must be carried out by a suitably qualified person.

10 Technical data

	Unit	Value
Operating voltage	V DC	24
Current consumption	mA	35
Approx. weight	g	200
Protection class		IP 20
Protection class for controller		II

Table 10.1 Technical data

Supplier

Vaillant Ltd

Nottingham Road ■ Belper ■ Derbyshire ■ DE56 1JT

Telephone 0845 602 2922 ■ www.vaillant.co.uk ■ info@vaillant.co.uk

Manufacturer

Vaillant GmbH

Berghauser Str. 40 ■ D-42859 Remscheid ■ Telefon 0 21 91/18-0

Telefax 0 21 91/18-28 10 ■ www.vaillant.de ■ info@vaillant.de

Subject to change
838311_04 GBIEESPT 122011