



User Guide

---

**Register my appliance**  [www.howdens.com/appliance-registration](http://www.howdens.com/appliance-registration)

---

# Register my appliance

Register your appliance purchased from Howdens Joinery to allow us to easily contact you in the event of important product updates at:

[www.howdens.com/appliance-registration](http://www.howdens.com/appliance-registration)

See back page for product serial number

Dear Customer,  
Congratulations on your choice of washer dryer.

**The user manual will help you use your machine quickly and safely.**

- Please read this user manual before installing and using the machine.
- Always follow the safety instructions.
- Keep this user manual within easy reach for future reference.
- Please read any other documents supplied with the product.

Explanation of symbols

Throughout this user manual the following symbols are used:



Important information or useful hints about usage.



Warning for hazardous situations with regard to life and property.



Warning for electric shock.

Product information correct at the publication in April 2017.

The company has a policy of continuous product development and reserves the right to change any products and specifications given in this manual.



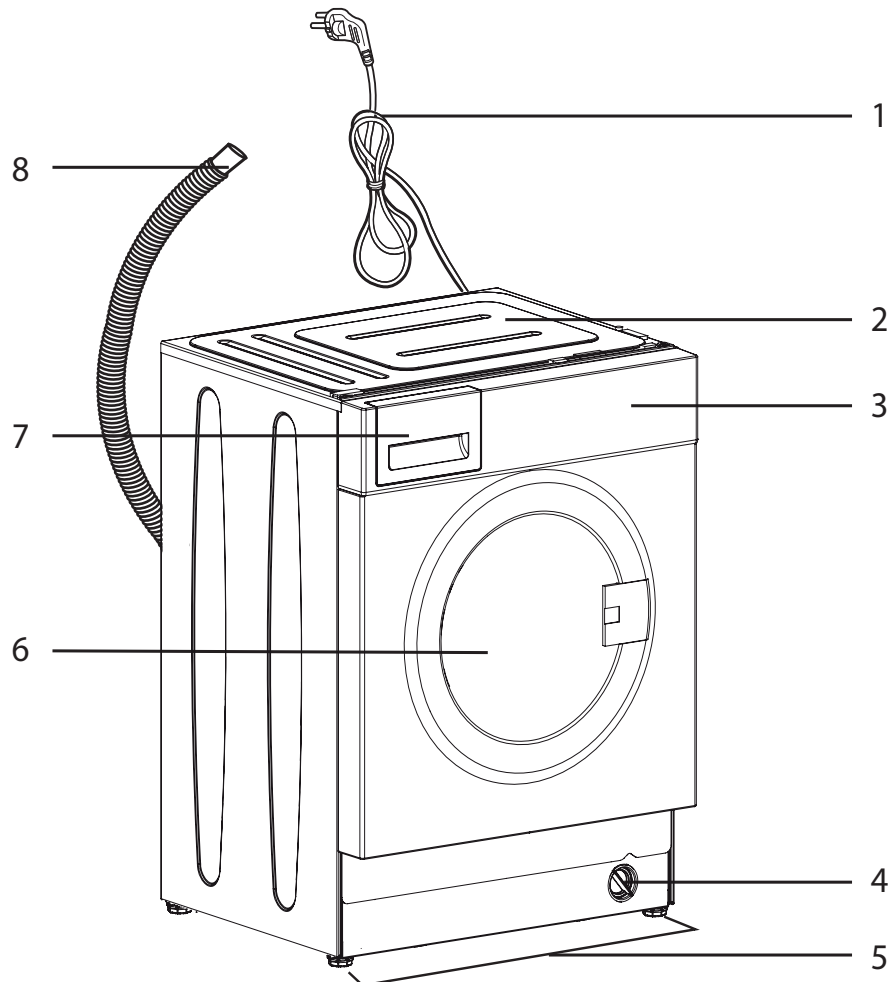
This appliance is marked according to the European Directive 2012/19/EU on Waste Electrical and Electronic Equipment (WEEE). By ensuring this product is disposed of correctly you will help prevent potential negative consequences for the environment and human health. The symbol on this product indicates that this product may not be treated as household waste. Instead it should be handed over to the applicable collection point for recycling of electrical and electronic equipment. Disposal must be carried out in accordance with local environmental regulations for waste disposal. For more detailed information please contact your local council household waste site.

# Index

<b>01 - Your washer Dryer</b>	<b>5</b>	Cancelling / changing the programme	26
Overview	5	Washing and drying programmes	26
<b>02 - Warnings &amp; Safety Information</b>	<b>6</b>	Child lock	26
General Safety	6	Door lock	26
Intended use	7	Mini wash and dry	27
Safety instructions	7-8	Drying programmes	27
If there are children in your house	9	Programme end	27
Safety warnings for drying	9-10	Standby mode	27
<b>03 - Installation</b>	<b>11</b>	Programme and consumption table (washing)	28
Appropriate installation location	11	Hints and tips (washing)	
Removing the transportation locks	11	Programme and consumption table (drying)	29
Removing packaging reinforcement	12	Hints and tips (drying)	30
Connecting water supply	12	<b>06 - Maintenance &amp; Cleaning</b>	<b>30</b>
Connecting to the drain	13	Detergent drawer	30
Adjusting the feet	13	The door and drum	30
Electrical connection	14	Body and Control panel	30
Electrical requirements	14	Inlet water filters	31
Fitting a different Plug	14	Draining remaining water and cleaning pump filter	31
First use	15	<b>07 - Troubleshooting</b>	<b>32-37</b>
Disposing of packaging material	15	<b>08 - Built-in Installation</b>	<b>38-39</b>
Transportation of the product	15	<b>09- Specification</b>	<b>40</b>
Disposing of the old product	15	<b>10 - Guarantee</b>	<b>41</b>
<b>04 - Preparation</b>	<b>16</b>		
Things to be done for energy saving	16		
Sorting the laundry	16		
Preparing laundry for washing	17		
Correct load capacity	17		
Loading the laundry	18		
Detergents and softeners	18-19		
<b>05 - Selecting a Programme &amp; Operating Your Machine</b>	<b>20</b>		
Control panel	20		
Display symbols	20		
Turning the machine on	21		
Programme selection	21		
Main Programmes	21		
Adjustment button options	21		
Additional programmes	22		
Special programmes	23		
Temp & Spin speed selection	23		
Auxiliary functions	24		
Time display	24		
Cancelling the time delay	25		
Starting the programme	25		
Progress of the programme	25		


# 01 - Your washer Dryer

## Overview



1. Power cable
2. Top lid
3. Control panel
4. Filter cap
5. Adjustable feet
6. Door
7. Detergent drawer
8. Drain hose

## 02 - Warnings & safety information

 Failure to read and follow these guidelines may result in personal injury or damage to the machine which may not be covered by and void the guarantee.

### General Safety

---

- Never place your machine on a carpet covered floor. Otherwise, lack of airflow below your machine may cause electrical parts to overheat and cause problems with your washing machine.
- If there are any signs of damage do not install or use the machine. Contact the supplier.
- Check water hoses for wear. Do not use old/used water inlet hoses. These may cause stains on your laundry and may leak.
- Fit the drain hose into the discharge housing securely to prevent any water leakage and to allow machine to discharge water as required. It is very important that the water intake and drain hoses are not folded, squeezed, or broken when the appliance is pushed into place after it is installed or cleaned.
- Your machine is designed to continue operating after the event of a power interruption.
- There may be some water in your machine when you receive it. This is from the quality control process and is normal. It is not harmful to your machine.
- Some problems may be caused by the software. Press “Start/Pause/Cancel” button for 3 seconds to cancel the programme set in your machine before calling the authorized service.

## 02 - Warnings & safety information

- Children aged less than three years should be kept away from the appliance unless continuously supervised.
- This appliance can be used by children aged 8 years and above and persons with reduced physical, sensory or mental capabilities or lack of experience and knowledge if they have been given supervision concerning safe use of the appliance and understanding the hazards involved. Children must not play with the appliance.
- Cleaning and user maintenance must not be made by children without supervision.

### Intended use

---

- This product has been designed for home use only.
- The appliance may only be used for washing and rinsing of textiles that are marked accordingly.
- Only detergents, softeners and supplements suitable for domestic automatic washer dryers may be used.
- Observe the care instructions labelled on textile products and any other instructions given by companies that produce detergents for your machine.

### Safety instructions

---

- This appliance must be connected to an earthed outlet protected by a fuse of suitable capacity.

- The supply and draining hoses must always be securely fastened and remain in an undamaged state.
- Never open the door or remove the filter while there is still water in the drum. Otherwise, there may be the risk of flooding and possible injury due to hot water.
- Never force open the locked door! The door will be ready to open just a few minutes after the washing cycle comes to an end.
- We recommend you unplug the machine when it is not in use and turn off the water tap. (Needs water to dry)
- Only use a clean damp cloth to clean the outer body parts of the appliance. Do not use any steam cleaners or wet cloths. Always unplug before cleaning.
- Never touch the plug with wet hands. Never unplug by pulling on the cable, always pull out from the plug only. Do not operate the machine if the power cord or plug is damaged.
- Never attempt to repair the machine yourself. Otherwise, you may be putting your and other's lives in danger.
- For malfunctions that cannot be solved by information in the operating manual turn off the machine, unplug it, turn off the water tap and contact an authorized service agent.
- If the power cable is damaged, it must be replaced by the manufacturer, after sales service or a similarly qualified person ( preferably an electrician) or someone designated by the importer in order to avoid possible risks.



## **If there are children in your house**

- Electrical appliances may be dangerous for children. Keep children away from the machine when it is operating. Do not let them tamper with the machine.
- Close the door when you leave the area where the machine is located.
- Store all detergents in a safe place out of reach of the children.
- Laundry stained with Liquid cooking oil, acetone, alcohol, petrol, kerosene, spot removers, turpentine, waxes and wax removers must be washed in hot water with plenty of detergent before drying. It may cause fire risk.
- Foam rubber (latex foam), shower caps, waterproof textiles, clothes or pillows with rubber support or rubber foam pads must not be dried with drying function. It may cause fire risk.

## **Safety Warnings for Drying**

- Laundry that is previously washed, cleaned, soiled or stained with petrol/gasoline, dry cleaning solvents or other flammable or explosive substances must not be dried in the machine as they give out flammable or explosive steam. It may cause fire risk.
- In order to maintain laundry in a temperature that will prevent them from getting damaged, a cooling step is performed as a final step. You may be exposed to hot steam if you open the door before cooling is complete. There is the risk of scalding.

- When you use industrial chemicals for cleaning, do not use drying function. It may cause fire risk.
- Do not touch loading door glass with bare hands after drying. There is the risk of getting burnt.
- If you use washing ball, detergent scale, laundry clothing cages and balls in your machine, they can melt during drying. Do not use these products if drying option will be selected. It may cause fire risk.
- If the drying programmes are interrupted (as a result of programme cancellation or power failure), laundry in the machine can be hot. Be careful.
- Do not stop the machine before drying programme is completed. If you have to stop the machine, remove all laundry and lay them in a suitable place to let them cool down.
- Your machine is suitable to operate in ambient temperatures between 5 °C and +35 °C.
- Ambient temperatures between 15 °C and +25 °C are ideal temperatures for your machine.
- Do not let pets enter the product. Check inside the product before using.
- Do not overload the machine for drying. Observe the maximum load levels specified for drying.

## 03 - Installation

To make the product ready for use, review the information in the user manual and make sure that the electricity, tap water supply and water drainage systems are appropriate. If they are not, call a qualified technician and plumber to have any necessary arrangements carried out.

**⚠** Preparation of the location and electrical, tap water and waste water installations at the place of installation is customer's responsibility.

**⚠** Installation and electrical connections of the product must be carried out by the suitably qualified persons. Manufacturer shall not be held liable for damages that may arise from installation procedures.

**⚠** Prior to installation, visually check if the product has any damage on it. If so, do not have it installed. Damaged products may cause risks for your safety.

**⚠** **Make sure that the water inlet and discharge hoses as well as the power cable are not folded, kinked or crushed while pushing the product into its place after installation or cleaning procedures.**

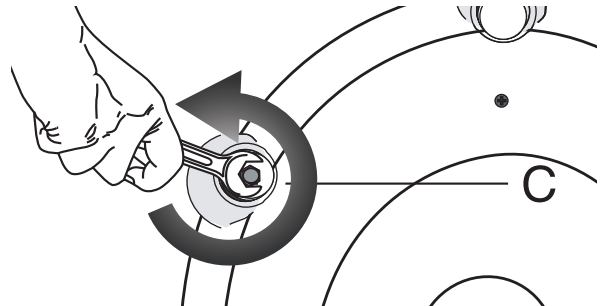
### Appropriate installation location

- Place the machine on a rigid floor. Do not place it on a long pile rug or similar surfaces.
- Total weight of the machine - with full load - is approx. 80 kilograms. Place the product on a solid and flat floor that has sufficient load carrying capacity!
- Do not install the product where temperature may fall below 5°C.

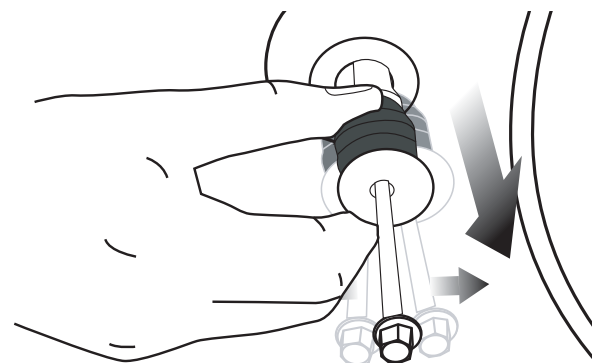
### Removing transportation locks

**⚠** **Remove the transportation safety bolts before operating the washing machine, otherwise, the product will be damaged.**

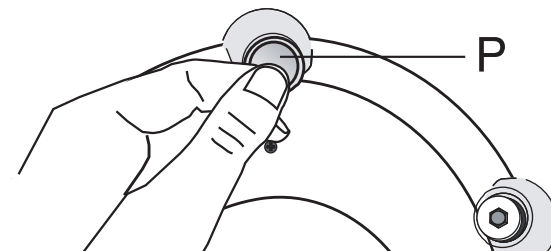
1. Loosen all the bolts with a spanner until they rotate freely (C).



2. Remove transportation safety bolts



3. Attach the plastic covers supplied in the User Manual bag into the holes on the rear panel.



**⚠** Keep the transportation safety bolts in a safe place to reuse when the washing machine needs to be moved again in the future.

**⚠** Never move the product without the transportation safety bolts properly fixed in place!

## Removing packaging reinforcement

Tilt the machine backwards to remove the packaging reinforcement. Remove the packaging reinforcement by pulling the ribbon.

**⚠ Failure to do this will cause the appliance to vibrate loudly and may result in damage to your machine and or furniture.**



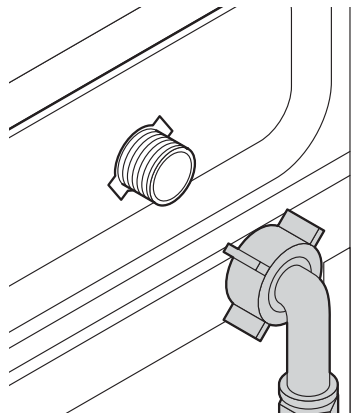
## Connecting water supply

**⚠** The water supply pressure required to run the product is between 1 to 10 bars (0.1 – 1MPa). It is necessary to have 10 – 80 litres of water flowing from the fully open tap in one minute to have your machine run smoothly. Attach a pressure reducing valve if water pressure is higher.

**⚠** The water inlet should not be connected to the hot water tap. In such a case the laundry will get damaged or the product will switch to protection mode and will not operate.

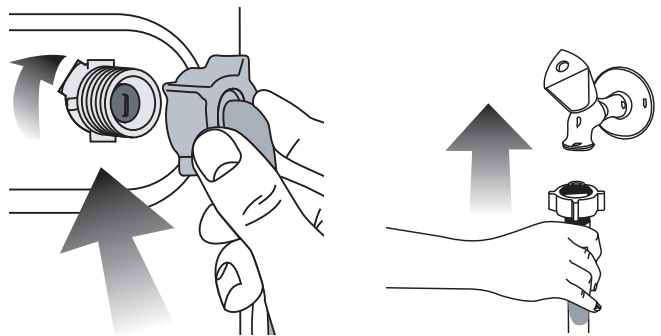
**⚠** Do not use old or used water inlet hoses on the new product.

1. Connect the special hose supplied with the product to the water inlet on the product.



**⚠** Ensure that the cold water connection is made correctly when installing the product.

2. Tighten hose nut by hand. Never use a wrench when tightening the nut.



3. Open the tap completely after making the hose connection to check for water leaks at the connection point. If any leaks occur, turn off the tap and remove the nut. Retighten the nut carefully after checking the seal. To prevent water leakages and damages caused by them, keep the taps closed when the machine is not in use.

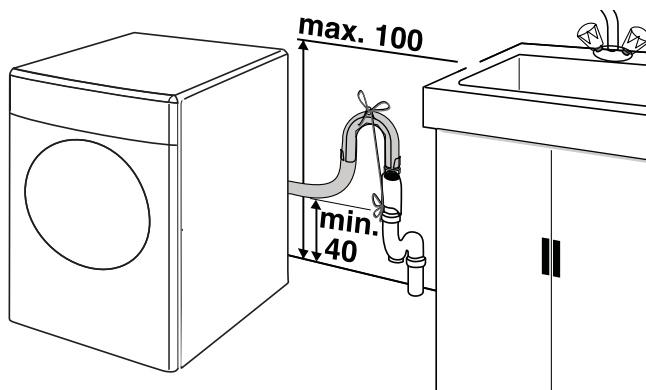
**Note: The machine uses water to operate the dryer.**

## Connecting to the drain

- The end of the drain hose must be securely fixed to the waste water outlet

**⚠** Your floor will be flooded if the hose comes out of its housing during water discharge. Moreover, there is risk of scalding due to high washing temperatures! To prevent such situations and to ensure smooth water intake and discharge of the machine, fix the end of the discharge hose tightly so that it cannot come out.

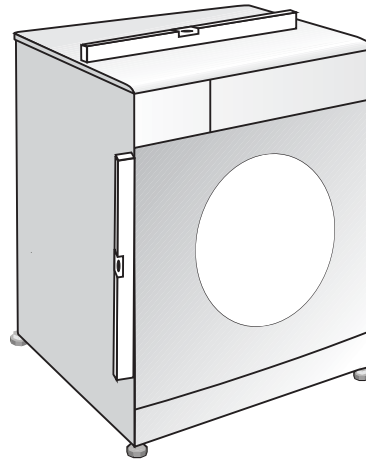
- The hose should be connected to a waste outlet pipe at a height of at least 40cm (max 100cm) from the floor.
- If the hose is too high or too low problems with water retention and discharge will be encountered.



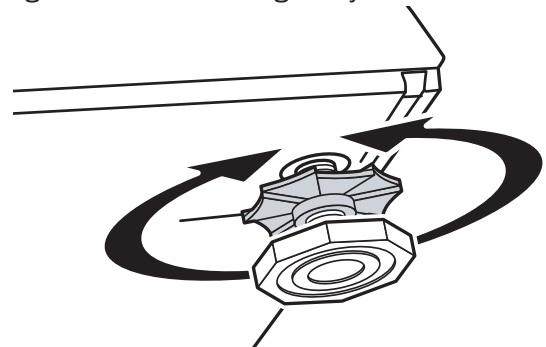
- To prevent flowing of dirty water back into the machine and to allow for easy discharge, do not push waste hose too far into waste pipe and ensure an 'S' bend is formed with the hose.
- The washing machine should be free to drain. Avoid any kinks in the drain hose and ensure the pipe is not crushed during installation of the machine.
- If the hose is too short it may be extended to a Max. Length of 3.2m. Ensure all joints are tight to avoid leaks.

## Adjusting the feet

**⚠** In order to ensure that the product operates silently and vibration-free, it must stand level and balanced on its feet. Balance the machine by adjusting the feet. Otherwise, the product may move and suffer vibration problems (\* Lowest height is preferable for optimum performance)



- Loosen the lock nuts on the feet by hand.
- Adjust the feet until the product stands level and balanced.
- Tighten all lock nuts again by hand.




**⚠** Do not use any tools to loosen the lock nuts, they may become damaged.

## Electrical connection

Connect the product to an earthed outlet protected by a fuse complying with the values in the “Technical specifications” table. Our company shall not be liable for any damages that will arise when the product is used without earthing in accordance with the local regulations.

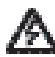
- Do not make connections via extension cables or multi-plugs.

 Damaged power cables must be replaced by qualified persons

## Electrical requirements

Before you insert the plug into the wall socket make sure that the voltage and the frequency shown in the rating label corresponds to your electricity supply.

We recommend that this appliance be connected to the mains supply via a suitable switched and fused socket in a readily accessible position.

 This appliance must be earthed

If the fitted moulded plug is not suitable for your socket, then the plug should be cut off and an appropriate plug fitted.

Destroy the old plug, which is cut off as a plug with a bared cord could cause a shock hazard if inserted into a socket elsewhere in the house.

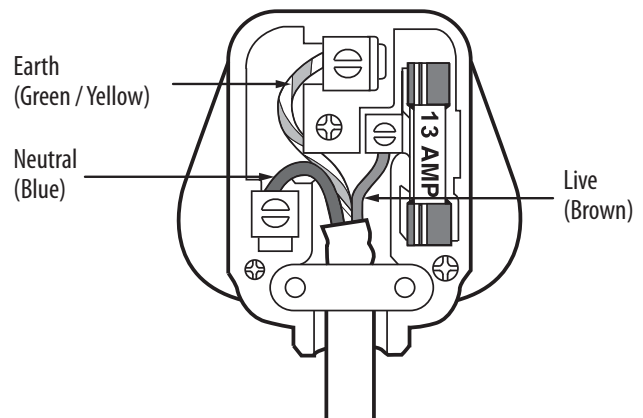
The moulded plug on this appliance incorporates a 13A fuse. Should the fuse need to be replaced an ASTA approved BS1362 fuse of the same rating must be used. Do not forget to refit the fuse cover. In the event of losing the fuse cover, the plug must not be used until a replacement fuse cover has been fitted.

## Important - Fitting a different plug

As the colours of the wires in the mains lead of this appliance may not correspond with the coloured markings identifying the terminals on your plug, proceed as follows:

1. Connect the green - yellow or green (earth) wire to the terminal in the plug marked ‘E’ or with the symbol  $\oplus$  or coloured green and yellow or green.
2. Connect the blue (neutral) wire to the terminal in the plug marked ‘N’ or coloured black.
3. Connect the brown (live) wire to the terminal in the plug marked ‘L’ or coloured red

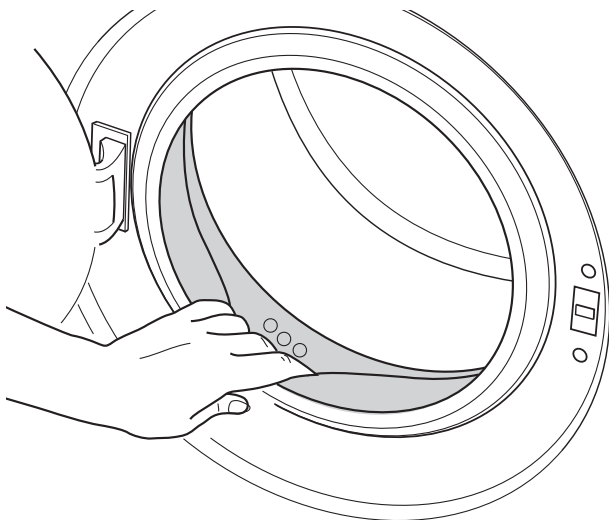
We recommend that a 13amp fuse must be fitted either in the plug or adaptor or in the main fuse box. If in doubt contact a qualified electrician.




## First use

Before starting to use the product, make sure that all preparations are made in accordance with the instructions in sections “Important safety instructions” and “Installation”.

To prepare the product for washing laundry, perform first operation with ‘Shirts 60°C’ programme with no laundry in the drum. Before starting the programme, put max. 100 g of powder into the main wash detergent Compartment (compartment No. II). If using tablets, use only one tablet according to the manufacturers instructions.



 Use detergent suitable for automatic washing machines.


## Disposing of packaging material

Packaging materials are dangerous to children. Keep packaging materials in a safe place away from reach of the children.

Packaging materials of the product are manufactured from recyclable materials. Dispose of them properly and sort in accordance with recycled waste instructions. Do not dispose of them with normal domestic waste.

## Transportation of the product

1. Drain any remaining water in the product completely; see, “Draining remaining water and cleaning the pump filter”.
2. Install transportation safety bolts in the reverse order of removal procedure; see, “Removing the transportation locks”.

 Never move the product without the transportation safety bolts properly fixed in place!

## Disposing of the old product

Dispose of the old product in an environmentally friendly manner.

Refer to your local dealer or solid waste collection centre in your area to learn how to dispose of your product.

For children’s safety, remove fuse from plug, cut off the power cable and dispose of lead carefully. Break the locking mechanism of the door so that it will be nonfunctional before disposing of the product.

## 04 - Preparation

### Things to be done for energy saving

Following information will help you use the product in an ecological and energy-efficient manner.

- Operate the product to the highest capacity allowed by the programme you have selected, but do not overload; see, "Programme and consumption table".
- Always follow the instructions on the detergent packaging.
- Wash slightly soiled laundry at low temperatures.
- Use faster programmes for small quantities of lightly soiled laundry.
- Do not use prewash and high temperatures for laundry that is not heavily soiled or stained.
- If you plan to dry your laundry in a dryer, select the highest spin speed recommended during washing process.
- Do not use detergent in excess of the amount recommended on the detergent package.

### Sorting the laundry

- Sort laundry according to type of fabric, colour, and degree of soiling and allowable water temperature.
- Always obey the instructions given on the garment tags.

This machine will -

- Wash laundry - up to 8kg
- Dry laundry - up to 5kg
- Wash and dry laundry - up to 5kg



Washing water temperature



Wash with sensitive, short programmes



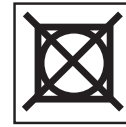
Bleach can be used



Do not use bleach



Suitable for drier



Do not dry with drier



Hang without spinning



Can be ironed with hot iron



Non machine-washable



Do not wash



Dry-cleanable



Do not dry-clean



Dry horizontally



Dry on a hanger



Can be ironed with warm iron

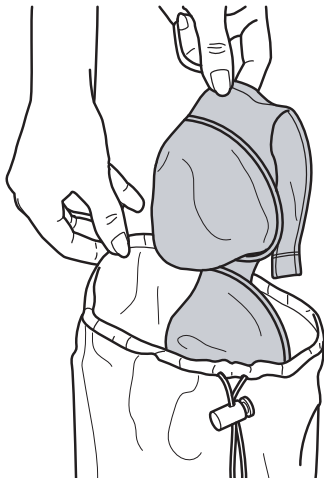


Do not iron



## Preparing laundry for washing

- Laundry items with metal attachments such as, under-wired bras, belt buckles or metal buttons will damage the machine. Remove the metal pieces or wash the clothes by putting them in a laundry bag or pillow case.



- Take out all substances in the pockets such as coins, pens and paper clips, and turn pockets inside out and brush. Such objects may damage the product or cause noise problems.
- Put small size clothes such as infant's socks and nylon stockings in a laundry bag or pillow case.
- Place curtains in without compressing them. Remove curtain hooks etc.
- Fasten zippers, sew loose buttons and mend rips and tears.
- Wash "machine washable" or "hand washable" labelled products only with an appropriate programme.
- Do not wash colours and whites together. New, dark coloured cottons release a lot of dye. Wash them separately.
- Tough stains must be treated properly before washing. If unsure, check with a dry cleaner.
- Use only dyes/colour changers and lime scale removers suitable for machine wash. Always follow the instructions on the package.
- Wash trousers and delicate laundry turned inside out.
- Keep laundry items made of Angora wool in the freezer for a few hours before washing. This will reduce piling.

- Laundry that is subjected to materials such as flour, lime dust, milk powder, etc. Must be shaken before placing into the machine. Such dusts and powders on the laundry may build up on the inner parts of the machine in time and can cause damage.

## Correct load capacity

The maximum load capacity depends on the type of laundry, the degree of soiling and the washing programme desired.

- The machine automatically adjusts the amount of water according to the weight of the loaded laundry.

**⚠** Follow the information in the "Programme and consumption table". When overloaded, machine's washing performance will drop. Moreover, noise and vibration problems may occur.


Laundry types and their average weights in the following table are given as examples


Laundry Type	Weight (g)
Bathrobe	1200
Napkin	100
Duvet Cover	700
Bed Sheet	500
Pillowcase	200
Tablecloth	250
Towel	200
Hand Towel	100
Evening Gown	200
Underclothing	100
Mens Overalls	600
Man's Shirts	200
Men's pyjamas	500
Blouses	100

## Loading the laundry

### (DO NOT USE TOO MUCH DETERGENT - SEE INSTRUCTIONS ON PACKS)

- Open the door.
- Place laundry items loosely filling the machine.
- Push the door to close until you hear a locking sound. Ensure that no items are caught in the door.

 The door becomes locked while a programme is running, and can only be opened a short while after the programme comes to an end.

 Incorrect loading of items may result in excess noise and vibration. Mix large, heavy items such as towels with smaller lighter items. Do not wash full or half load of large towels etc.


## Detergents and softeners

### Detergent Drawer

Detergent drawer of your washing machine consists of four different compartments for main wash powder detergent, liquid main wash detergent, liquid softener and powder pre-wash detergent. Each of these laundry additives are dispensed automatically at the relevant time during the washing Programme.

(Do not place laundry additives directly into the drum. Always use the detergent drawer).

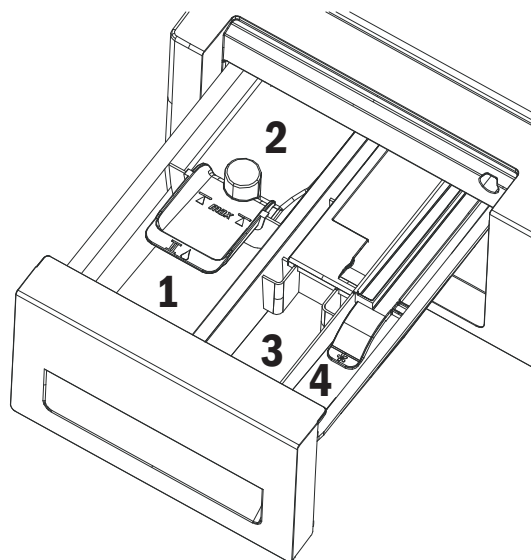
Do not close the drawer too fast after putting the laundry additives. This may cause the additives be dispensed early, creating unsatisfactory washing results and fabric damage.

 Do not open the drawer during washing Programme unless adding bleach etc. Open slowly as water maybe entering the drawer.

### The detergent drawer compartments are indicated below:

1. Left compartment with number “II” (Main wash compartment for powder detergent or

2. Left compartment with number “II” (Main wash compartment for liquid detergent or liquid stain remover)
3. Middle compartment with number “I” (pre-wash compartment for powder detergent, powder stain remover or liquid bleach - liquid bleach must be added either during the pre-wash or during the first rinsing step of the washing Programme). Liquid bleach must be added manually while the machine takes in water.
4. Right compartment with “✿” symbol (liquid softener compartment).



### (II) Main Wash Compartment

Before starting the washing Programme, put powder detergent into the left compartment with number “II”. Use the detergent manufacturer’s measuring cup and follow the instructions on the package. Powder bleach/stain remover must also be put into this compartment.

Put liquid detergent into the main wash compartment “II” before starting the washing Programme. Liquid stain remover must also be put into this compartment.

Put the suggested amount of liquid detergent into the left compartment with “II” symbol and dilute it to the maximum filling level line (max. II ) with warm water.

Particularly concentrated detergents must be diluted with warm water; otherwise, the siphon may

get clogged in time.

Do not fill the detergent above the maximum filling level line; otherwise the excess amount of detergent will reach the laundry without water and may cause stains on the garments. Do not pour the detergent onto the laundry directly since this may cause stains on the garments.

### Liquid Softener Compartment

Put the suggested amount of liquid softener into the right compartment with “✿” symbol and dilute it to the maximum filling level line (Max. ✿) With warm water. Particularly the concentrated softeners must be diluted with warm water; otherwise, the siphon may get clogged in time.

Do not fill the softener above the maximum filling level line; otherwise the excess amount of softener will get mixed with the washing water and you will need to refill the compartment. Do not pour the softener onto the laundry directly since this may cause stains on the garments.

Liquid softener will be dispensed automatically at the final rinsing step of the washing Programme.

### (I) Pre-wash Compartment

Put the powder pre-wash detergent or powder stain remover into the middle compartment with number “1”.

You can also put liquid bleach into this compartment while the machine takes in water during pre-wash or first rinsing step. Adding the liquid bleach while the machine takes in water allows it to be diluted before it is poured onto the laundry.

You must select extra rinsing option if you use liquid bleach in a washing Programme. Bleach must be removed from the laundry with rinsing; otherwise it may cause itching on the skin

Read the dosage instructions and label of your garments carefully before using the liquid bleach.

### Starch

- Add liquid starch, powder starch or the dyestuff into the softener compartment as instructed on the package.

- Never use fabric softener and starch together in the same washing cycle.
- Wipe the inside of the drum after using starch.

### Bleaches

If you are going to use regular bleach in your machine, it is suggested to select a Programme with pre-wash step and add the bleach at the beginning of the pre-wash without putting detergent into the pre-wash compartment. Alternatively, it is suggested to select a Programme with extra rinsing and add the bleach while the machine takes in water from the detergent drawer in the first rinsing step. Bleach should not be mixed with detergent. Since the bleach may cause irritation on skin, little amounts must be used and rinsed thoroughly. Do not pour bleach directly onto the laundry and do not use it with colour laundry.

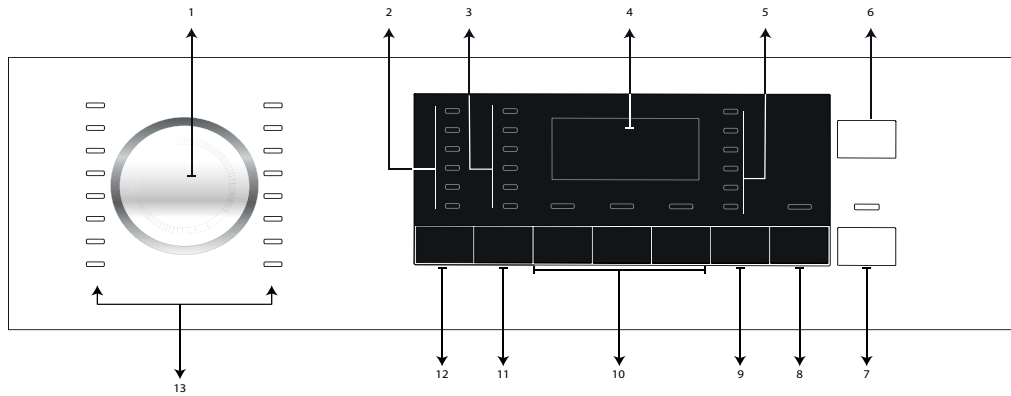
When using oxygen based bleach, follow the instructions on the package and select a Programme at low temperature. Oxygen based bleach can be used together with the detergent. However, if it is not the same consistency as the detergent, then it must be added from the compartment number “II” right after the detergent foams with water.

### Eliminating limescale formation

- If required, use only appropriate limescale removers developed specifically for washing machines and always follow the instructions on the package.

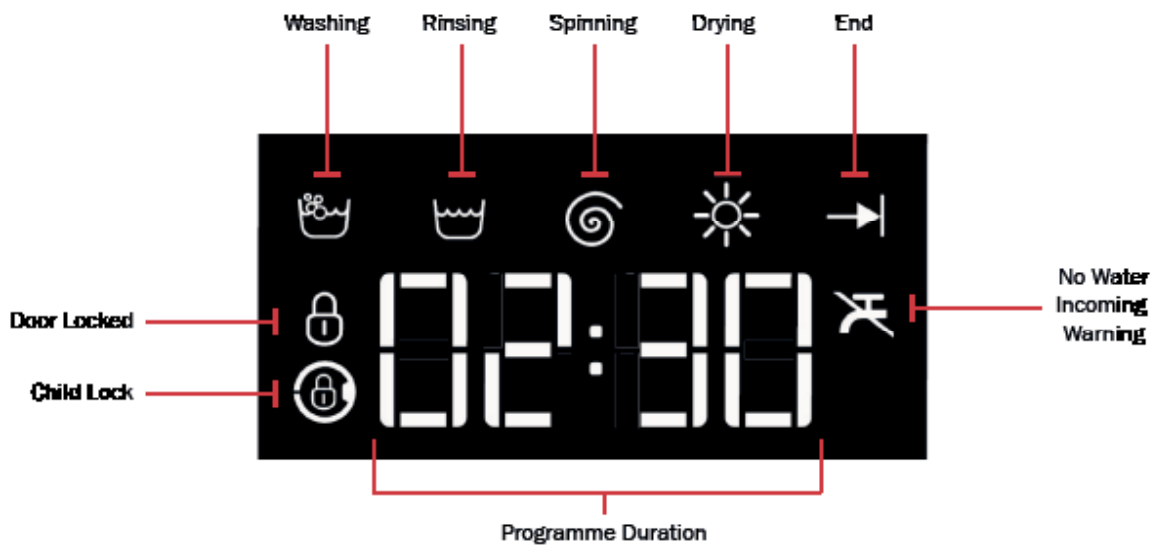
# 05 - Selecting a Programme & Operating Your Machine

## Control panel



1. Programme selection knob
2. Temperature selection lights
3. Spin speed selection lights
4. Display
5. Drying programmes lights
6. On / Off button
7. Start / Pause button
8. End time adjustment button
9. Drying level adjustment button
10. Auxiliary functions button
11. Spin speed adjustment button
12. Temperature adjustment button
13. Programme selection lights

## Display Panel



## Turning the machine on

1. Check if the hoses are connected tightly.
2. Plug in your machine.
3. Turn the tap on completely.
4. Place laundry in the machine.
5. Close door
6. Add detergent and fabric softener.
7. Select programme.
8. Press start button


## Programme selection


1. Determine the programme suitable for the type, quantity and soiling level of the laundry in accordance with the “programme and consumption table”.
2. Select the desired programme with the programme selection knob.


## Main programmes

Depending on the type of fabric, use the following main programmes -

- You can set the machine to switch to the drying step at the end of the washing cycle by pressing the Drying button after you have selected the washing programme for your laundry. Each time you press the button, info line shows at which step the drying process will take place and the relevant symbol will turn on. If you want, by continuing to press the button, you can perform drying for the maximum period of time allowed by the machine for drying.
- Symbols in the display are schematic and may not match the product exactly.

 When selecting the programme you are going to use, always consider type of fabric, colour, degree of soiling and permissible water temperature.

 Always select the lowest required temperature. Higher temperature means higher power consumption.

 For further programme details, see “Programme Selection Table

### • Cottons

You can wash your durable clothes with this programme. Your laundry will be washed with vigorous washing movements during a longer washing cycle. It is recommended for your cotton items (such as bed sheets, duvet and pillowcase sets, bathrobes, underclothing, etc.).

### • Synthetics

You can wash your less durable clothes on this programme. Gentler washing movements and a shorter washing cycle is used compared to the “Cottons” programme. It is recommended for your synthetic clothes (such as shirts, blouses, synthetic/cotton blended garments, etc.). For curtains and lace, the “Synthetic 40” programme with pre-wash and anti-creasing functions selected is recommended. Detergent should not be put in the pre-wash compartment. Less detergent should be put in the main wash compartment as loose knit fabrics (lace) foam too much due to its meshed structure.

### • Woollens

You can wash your machine-washable woollen garments on this programme. Wash by selecting the correct temperature according to the labels of your clothes. It is recommended to use appropriate detergents for woollens.

## Adjustment option buttons

Adjustments can be made to a wash programme’s temperature, spin speed etc by pressing the relevant option button(s).

\*(Available options dependant upon programme)

## Additional programmes

---

For special cases, there are also extra programmes available:

- **Cottons Eco**

You may wash your normally soiled durable cotton and linen laundry in this programme with the highest energy and water saving compared to all other wash programmes suitable for cottons. Actual water temperature may differ from the declared cycle temperature. Programme duration may automatically be shortened during later stages of the programme if you wash smaller amounts of laundry. In this case energy and water consumption will be further decreased giving you the opportunity for a more economical wash. This feature is available for certain models having remaining time display.

- **Intensive**

Increased hygiene is provided by a longer heating period and an additional rinse cycle. It is recommended for baby clothes and clothes worn by allergy sufferers.

- **Hand wash**

Use this programme for woollen/delicate clothes that have “not machine- washable” labels. This programme washes the laundry with very gentle washing movements reducing the risk of damage to your clothes.

- **Super Short**

Use it to wash a small amount of lightly soiled cotton laundry in a short time. This programme washes your laundry in 14 minutes.

- **Delicates**

Use to wash your delicate laundry. Your laundry will be washed with more gentle washing action compared to synthetics programme.

- **Shirts**

Use this programme to wash shirts made of cotton, synthetic and synthetic blended fabrics.

- **Daily Quick**

Use to wash your lightly soiled and unstained cotton laundry in a short time.

- **Machine Clean (Drum cleaning)**

It is suggested to run this programme at certain intervals (e.g. Once every 1 or 2 months) for the self-cleaning of your machine. This programme must be run without any laundry in the machine. Make sure that the machine is empty before starting the programme. For more effective cleaning, you can run the programme, adding a limescale remover for washing machines into compartment ‘II’ of the detergent drawer. After the programme is completed, leave the door ajar to allow the inside of the machine to dry



This is not a programme for washing laundry. This is a maintenance programme for the machine.



Never use this programme if there is something in your machine.



When this feature is started, if your machine senses any load inside the machine, it will automatically interrupt the program.

## Special programmes

For specific applications, select any of the following programmes:

- **Rinse**

This programme is used when you want to rinse or starch separately.

- **Spin (Drain)**

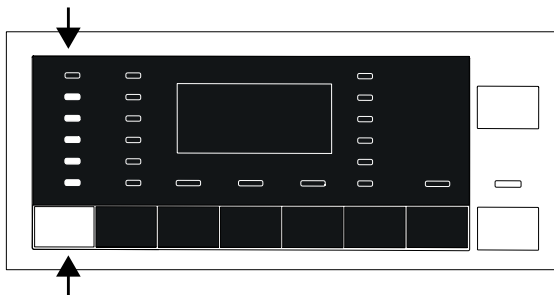
The machine drains then spins at whatever spin speed has been selected.



Use a lower spin speed for delicate laundry.

## Temperature selection

Whenever a new programme is selected, the temperature anticipated for that programme appears on the temperature indicator. It is possible that the recommended temperature value is not the maximum temperature that can be selected for the current programme.



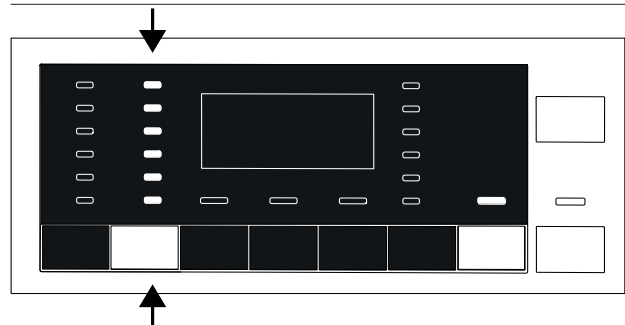
Press the temperature adjustment button to change the temperature. Temperature adjustment button only works backwards. For example when you want to select 60°C when the display shows 40°C you need to press the button for several times until you reach 60°C by going backwards from 40°C.

If you scroll to cold wash option and press temperature adjustment button again, the recommended maximum temperature for the selected programme is displayed. Press the temperature adjustment button again to decrease the temperature.

Cold light indicating the cold wash option appears on the display. You can also change the temperature after the washing has started. You can select the desired temperature after washing starts but you must do this before heating step starts.

Temp	Load
90 °c	Normally soiled, white cottons and linens. (Eg: coffee table covers, tablecloths, towels, bed sheets)
60 °c	Normally soiled, fade proof coloured linens, cottons or synthetic clothes (Eg: shirts, nightgowns, pyjamas) and lightly soiled white linen clothes (Eg: underwear)
40 °c 30 °c 20°c Cold	Blended clothes including synthetics and woollens as well as delicates.

## Spin speed selection



Whenever a new programme is selected, the maximum spin speed of the selected programme is displayed on the spin speed indicator.

It is possible that the recommended spin speed value is not the maximum spin speed that can be selected for current programme.

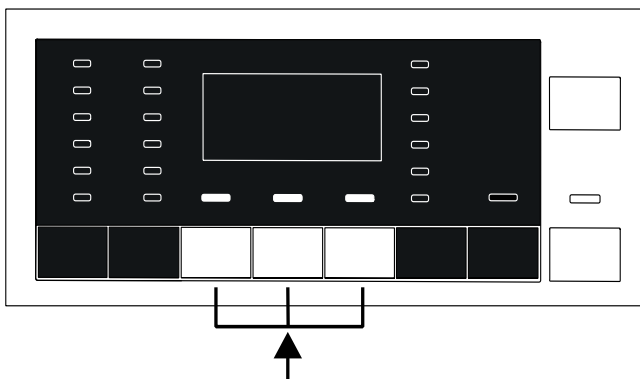
Press the spin speed adjustment button to change the spin speed.

(Spin speed adjustment button works only backwards. For example, when you want to select 1000 rpm when the display shows 800 rpm, you need to press the button several times until you reach 1000 rpm by going backwards from 800 rpm.)

If rinse/hold is selected: press **start/pause** button (select spin speed as necessary if needed) and machine will continue and finish the programme.

## Auxiliary functions

### Auxiliary Function Selection Buttons



### Auxiliary function selection

Select the desired auxiliary function before starting the programme. Whenever a programme is selected, lights of the auxiliary functions that can be selected together with that programme illuminate.

- **Prewash**

- A pre-wash is only worthwhile for heavily soiled laundry. Without pre-wash you save energy, water, detergent and time.
- Pre-wash without detergent is recommended for lace and curtains.

- **Quicker Wash**


Use this function for smaller amounts or slightly soiled laundry.

- **Extra Rinse**

With function **(c)** is selected, washing and rinsing is performed with extra water.

- **Drying**

- This function enables drying of laundry after washing. Check with which programmes this auxiliary function can be selected from the programme table.

 Whenever you select this auxiliary function, load your machine with half of the maximum laundry amount specified in the programme table.

- **Rinse Hold**

If you are not going to unload your clothes immediately after the programme completes, you may use rinse hold function and keep your laundry

in the final rinsing water in order to prevent them creasing when there is no water in the machine. Press “Start/Pause” button after this process if you want to drain the water without spinning. Programme resumes. The machine drains the water and programme completes.

If you want to spin your laundry that you left in water:

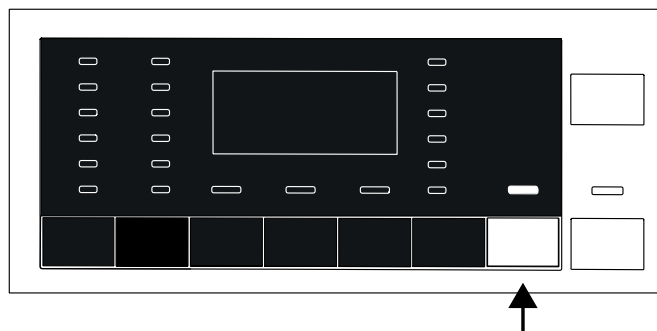
- Adjust the spin speed.
- Press Start/Pause button

Programme resumes. Your machine drains the water, spins the laundry and programme completes.

**NOTE:** Available options dependant on programme.

## Time display

The display shows the approximate remaining programme time in hours and minutes.



- **Time delay**

With the “Time delay” function you can delay the programme start up to 24 hours. Setting can be made in intervals of 30 minutes.

- Press **ending in** button (the programme’s estimated end time is displayed) until desired time is reached.
- Press **start /pause /cancel** button (end time indicator illuminates).

**NOTE:** Do not use liquid detergents with time delay, as there is a risk of staining the fabrics.

Door remains locked during time delay period. At the end of the countdown, the end time indicator turns off, washing cycle starts and the time selected programme appears on the display.



## Cancelling the time delay

- Press **end time** button until the end time indicator turns off, or press **on/off** button to turn machine off.

More laundry may be loaded or taken out during the time delay period. At the end of the time delay countdown process, time delaying symbol fades and the washing starts as the programme duration is displayed.

## Starting the Programme

- After pressing Start/Pause/Cancel button to start the programme. The start symbol which indicates that the programme has started will light up.
- The door locks and the door locked symbol will light up.
- The Symbol of the relevant step (prewash, main wash, rinse, softener and spin) that the programme has started from will light up.

## Progress of programme

The progress of a running programme is shown through a number of symbols on the display.

As each new programme step is reached a display symbol lights up. At the end of a programme all symbols are lit.

### Pre-wash

When “prewash” auxiliary function is selected, prewash symbol will light up to indicate the beginning of prewash step.

### Main wash

Main wash symbol will light up to indicate that the main wash cycle has started.

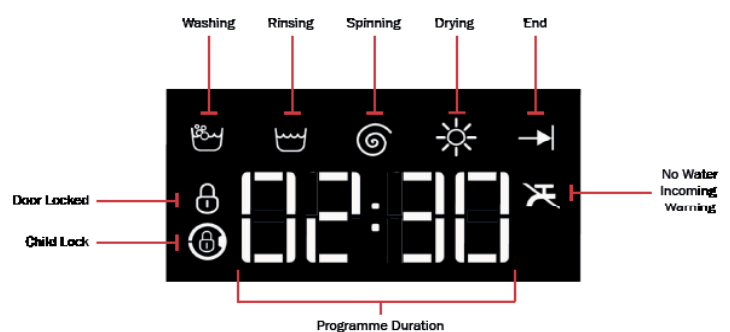
### Rinse

Rinse symbol lights up at the beginning of the rinse step.

### Spin

Spin symbol will light up at the beginning of the final spin, including “Spin” and “drain” special programmes.

If the machine is not spinning, the programme may be in rinse hold mode or the automatic spin correction system has been activated due to an excessive unbalanced load of laundry in the machine.



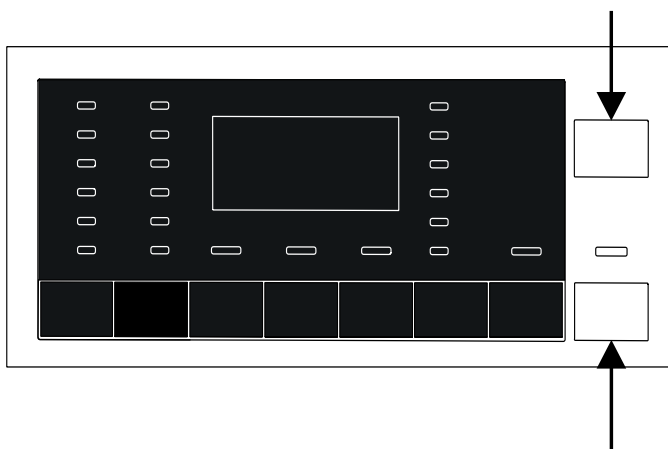
## Cancelling / changing programme

(If the water level in the machine is above a certain level the door will not open. A spin programme will be needed to drain the water.)

- Press and hold **ON/OFF** button for 3 seconds.

Display will count down '3-2-1' and machine will turn off.

- A new programme can now be selected. (After selecting **spin/drain** programme if necessary) The new programme will start from the beginning.



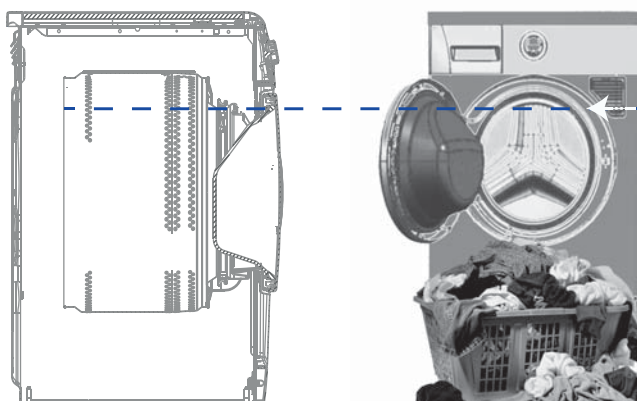
The programme can be paused during the cycle by pressing the pause button. Push the button again to resume the cycle.

## Washing and drying programmes

**(NOTE: Machine uses water during drying cycles, do not turn supply tap off.)**

Up to 5kg load can be dried in the machine.  
- Do not exceed this amount as clothes will not dry within the time scales expected.

Maximum load level for drying:



## Child lock

Press and hold the two option buttons for three seconds and the machine will display: **'Child lock 3-2-1'** and count down to lock the door.

**'Child Lock Symbol'** appears on the display.  
- Release buttons


### To deactivate

Press and hold the two option buttons for three seconds and the machine will display: **'Child lock 3-2-1'** and count down to unlock the door.

**'Child Lock Symbol'** disappears on the display.  
- Release buttons

(If you press ON/OFF button when the child lock is active the programme will not be cancelled. You should cancel the child lock first, then cancel the programme to power off).

## Door Lock

There is a safety locking system on the door that prevents opening during use and when the water level is unsuitable for door opening. When the door is locked the symbol  on the display is illuminated.

(If there has been a power cut and you need to open the door but there is water in the machine: you will need to place the drain hose low down into a bucket/container in order to remove the water for the door to open. Alternatively the filter could be removed to release the water but this would release a large volume of water very quickly on to the floor).

## \*Mini wash and dry

---

Used to wash and dry 0.5kg of laundry (2 shirts) in 40 minutes.

\* Is intended to quickly wash and dry clothes that were worn for short periods of time and not soiled. (Thicker fabrics may need a longer drying time).

## Drying programmes

---

- **Synthetic dry**

Use to dry damp synthetic laundry equivalent to 3kg dry weight.

- **Cotton dry**

Use to dry damp cotton laundry equivalent to 5kg dry weight.

\*(for heavy towels and bathrobes etc load 4kg)

- **Anti-allergy**

Use to wash and immediately dry up to 2kg of laundry requiring a hygienic/anti-allergic cycle. (e.g baby clothes, bedding, underwear)

**NOTE:** Drying programmes can contain a spinning step.

## Programme end

---

At the end of the programme the 'end of programme' indicator illuminates. When the door interlock releases the machine will 'beep'. If no button is pressed for two minutes, the machine will switch to standby mode. The display and all indicators will turn off.

(If you press any button or turn the selection dial when the machine is in standby mode, the completed programme steps will appear on the display).

## Standby Mode

---

If no button is pressed for two minutes, the machine will switch to standby mode. The display and all indicators will turn off, and pause / start light pulses.

If you press any button or turn the selection dial when the machine is in standby mode, the completed programme steps will appear on the display.

## Programme & consumption table (washing)

EN						Auxiliary functions				Selectable temperature range °C
	Programme (°C)	Max. Load (kg)	Water Consumption (l)	Energy Consumption (kWh)	Max. Speed***	Prewash	Quicker Wash	Extra Rinse	Drying	
Cottons	90	8	78	2,40	1400	•	•	•	•	90-Cold
	60	8	78	1,50	1400	•	•	•	•	90-Cold
	40	8	78	1,00	1400	•	•	•	•	90-Cold
Cottons Eco	60**	8	47	0,76	1400				•	60-Cold
Synthetics	60	3	67	1,05	1200	•	•	•	•	60-Cold
	40	3	67	0,75	1200	•	•	•	•	60-Cold
Wool	40	1,5	45	0,45	1200			•		40-Cold
Delicates	40	3,5	48	0,50	1000	•				40-Cold
Hand Wash	30	1	35	0,30	1200					30-Cold
Rapid 30°	30	2	32	0,10	1400			•	•	30-Cold
Quick	90	8	54	1,90	1400			•	•	90-Cold
	60	8	54	1,10	1400			•	•	90-Cold
	30	8	50	0,18	1400			•	•	90-Cold
Shirts	60	3,5	45	0,85	800	•	•	•	•	60-Cold

• : Selectable

\* : Automatically selected, not cancellable.

\*\* : Energy Label programme (EN 50229)

\*\*\* If maximum spin speed of your machine is lower, selection may be made until maximum spin speed.

\*\*\*\* Programme detects the type and quantity of the laundry to automatically adjust water and energy consumption and programme time.

- : See programme description for maximum load.



The auxiliary functions in the table vary according to the model of your machine.

Water and power consumption and programme duration differ from the table subject to changes in water pressure, water hardness and temperature, ambient temperature, type and amount of laundry, selection of auxiliary functions, and changes in supply voltage. Programme duration will be displayed on the screen of your machine according to your selection.

## Hints and tips for washing

- Energy efficiency will be improved by using lower temperature programmes and appropriate detergents.
- Do not use more detergent than recommended (detergent packaging) or necessary.
- Only use detergents suitable for automatic washing machines.
- Wash lightly soiled items at lower temperatures.
- Use shorter programmes for smaller quantities for lightly soiled items.
- Do not use prewash and high temperature programmes for laundry that is not heavily soiled/stained.
- Use dedicated stain remover sprays/powders as directed by manufacturers.
- Do not over fill the drum, it should be loosely filled.
- Use a washing bag or pillow case etc to wash small/delicate items.
- Avoid washing single towels/heavy cotton items - add smaller items to the load to avoid out of balance spin drying issues.

## Programme & consumption table (drying)

EN						Auxiliary functions				Drying level				Selectable temperature range °C
	Programme (°C)	Max. Load (kg)	Water Consumption (l)	Energy Consumption (kWh)	Max. Speed***	Prewash	Quicker Wash	Extra Rinse	Drying	Extra Dry	Cupboard Dry	Iron Dry	Time based drying - minutes	
Cotton Dry	-	5	35	2,75	1400				*	•	•	•	•	-
Synthetic Dry	-	3	22	1,70	-				*		•	•	•	-
Anti Allergy Wash & Dry	60	2	120	3,80	1400			*	*	•	•	•	•	90-30
5 Kg Wash & Dry	60	5	94	5,00	1400				*	•	•	•	•	60-Cold
Mini Wash & Dry	30	0,5	35	0,60	1000			•	*				•	30-Cold
Mini Wash & Dry	30	1	44	1,00	1000			•	*				•	30-Cold

### Information for the testing organisations

Test performance pursuant to EN 50229:2007 standard starts with Cottons Eco 60°C programme. The first load to be dried after washing is tested by selecting Extra Dry option in Cotton Drying programme and second load is tested by selecting 150 drying option in Cottons Dryong programme.

Based on capacity of the machine to be tested, separation of the drying capacity, drying sequence and load content are described in the following table.

Drying sequence and the load content for drying tests must be performed as per following table.

### Hints and tips for drying

- Always select the correct drying cycle for the fabrics to be dried.
- Do not over fill the drum. The machine can only dry approx half the wash load efficiently.
- Do not add any liquids to the machine during the drying cycle.
- If you wash a full load: remove sufficient items to enable successful drying.
- Do not tumble dry woollen items.
- Always remove any loose articles from pockets (coins, tissues etc).

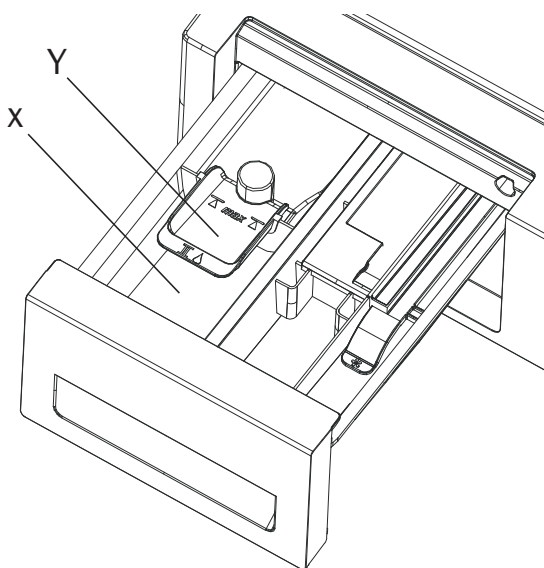
## 06 - Maintenance and cleaning

### General

The use of low temperature wash programmes can lead to a build up of residues and odours. To help avoid this it is recommended to run a hot wash cycle (60°c or 90°c) with no laundry, powder or detergent at least once per month.

### Detergent Drawer

Remove any powder residue buildup in the drawer. To do this;



1. Remove the detergent drawer by pulling it towards yourself firmly.

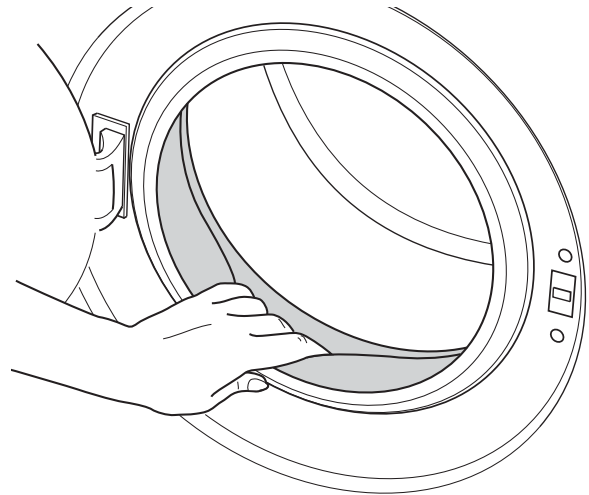
**⚠** If softener and liquid detergent mixture starts to remain in the softener compartment, the siphons X and Y must be cleaned.

2. Wash the drawer and the siphon with plenty of lukewarm water in a washbasin. Wear protective gloves or use an appropriate brush to avoid touching the residues in the drawer when cleaning.
3. Replace the drawer into its housing after cleaning. Ensure the siphon is in its original location.

### The door and the drum

After each wash:

- Check if there are any foreign objects in the drum.



- Open the drain hole in the door gasket with the aid of a toothpick if it is clogged.

**⚠** Foreign metal substances in your machine may cause rust stains. In such cases: Clean the drum with a stainless steel cleaning agent. Never use steel or wire wool.

### Body and control panel

When necessary:

- Wipe the exterior panels of your machine with damp cloth and mild detergent. Dry it with a soft cloth.
- Use only a soft damp cloth to clean the control panel.

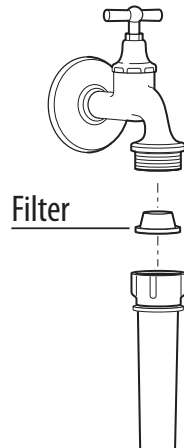
**⚠** Never use a sponge with pan scrubbing material. These will damage the paint and plastic parts.

Glass door:

Clean the glass door, particularly the lower part from time to time.

## Inlet water filters

There is a filter in the end of the water intake valve at the back of the machine and also at the end of the water intake hose where it is connected to the tap. The filter prevents foreign substances and dirt in the water from entering into the machine. Filters should be cleaned as they may clog.



- Close the tap.
- Loosen the nut of the water intake hose to clean the surface of the filter with an appropriate brush.
- If the filter is very dirty, you can pull it out by means of pliers and clean it.
- Take out the filter on the flat end of the water intake hose together with the seal and clean thoroughly under running water.
- Replace the seal and filter carefully and tighten the hose nuts by hand.

## Draining any remaining water and cleaning the pump filter

A filter system in your machine prevents solid items such as buttons, coins and fabric fibres clogging the pump propeller during the discharge of the washing water.

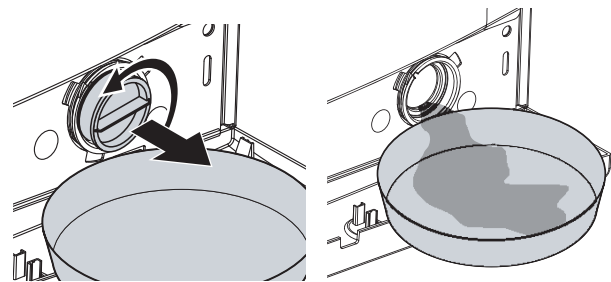
- If your machine fails to drain the water or spin properly, the pump filter may be clogged. You may have to clean it every 6 months or whenever it is blocked. Water must be drained off to clean the pump filter.

In addition, water may have to be drained off before transporting the machine (e.g. when moving house)

To drain the water from the machine follow this procedure:

1. Unplug the machine to cut off the supply power.

**⚠** Water in the machine can reach temperatures of 90 °C . Therefore only clean the filter after the machine has had time to cool.



- Place a large container in front of the filter to receive water flowing from the filter.
  - Loosen pump filter (anticlockwise) until water starts to flow out of it. Direct the flowing water into the container you have placed in front of the filter. You can use a cloth to absorb any spilled water.
  - When there is no water left, turn the pump filter until it is completely loose and remove it.
  - Clean any residues from inside the filter.
  - Never force the filter while replacing it into its housing. Fit the filter fully into its housing; otherwise, water may leak from the filter cap.
2. Close the filter cap fully.

# 07 - Troubleshooting

## Error Codes

If an error code is displayed on the machine - please call the service line.

(There are only limited number of errors that may possibly be resolved by the customer / installer)

**E8** - Water fill / drain issue, check hoses for kink / blockages

**E5** - Pump issue - check filter / drain hose for blockages

### TROUBLESHOOTING GUIDE

Symptoms	Possible Cause	Solutions / Information
<b>Programmes do not start after the loading door is closed.</b>	<ul style="list-style-type: none"> <li>Start / Pause / Cancel button is not pressed</li> </ul>	Press and hold Start / Pause / Cancel button
<b>Programme cannot be started or selected</b>	<ul style="list-style-type: none"> <li>Washing machine has switched to self protection mode due to a supply problem (line voltage, water pressure etc)</li> </ul>	Press and hold On / Off button for 3 seconds to reset the machine to factory settings. (see cancelling the programme)
<b>Water in the machine</b>	<ul style="list-style-type: none"> <li>Some water may remain in the product due to quality control processes in production.</li> </ul>	This is not a failure, water is not harmful to the machine.
<b>Machine does not fill with water.</b>	<ul style="list-style-type: none"> <li>Tap is turned off.</li> <li>Water inlet hose is bent.</li> <li>Water inlet filter is clogged.</li> <li>The door is ajar.</li> </ul>	<p>Open the inlet water taps fully.</p> <p>Straighten the water inlet hose.</p> <p>Clean the water inlet filter.</p> <p>Close the loading door.</p>
<b>Machine does not drain water.</b>	<ul style="list-style-type: none"> <li>Water drain hose might be clogged or twisted.</li> <li>Pump filter is clogged.</li> </ul>	<p>Clean or straighten the hose.</p> <p>Clean the pump filter.</p>
<b>Machine vibrates or makes noise.</b>	<ul style="list-style-type: none"> <li>Machine might be standing unbalanced.</li> <li>A hard object might have entered into the pump filter.</li> <li>Transportation safety bolts are not removed.</li> <li>Laundry quantity in the machine might be too little.</li> <li>Machine might be overloaded with laundry.</li> <li>Machine might be touching a rigid item.</li> </ul>	<p>Adjust the feet to level the machine.</p> <p>Clean the pump filter.</p> <p>Remove the transportation safety bolts.</p> <p>Add more laundry to the machine.</p> <p>Take out some of the laundry from the machine or distribute the load by hand to balance it evenly in the machine.</p> <p>Make sure that the machine is not touching anything.</p>
<b>Machine stopped shortly after the programme started.</b>	<ul style="list-style-type: none"> <li>Machine might have stopped temporarily due to low voltage.</li> </ul>	It will resume running when the power restores to normal.
<b>Machine directly discharges the water it takes in</b>	<ul style="list-style-type: none"> <li>Draining hose might not be at adequate height.</li> </ul>	Connect the water draining hose as described in the operation manual.
<b>No water can be seen in the machine during washing</b>	<ul style="list-style-type: none"> <li>The water level is not visible from outside of the washing machine.</li> </ul>	This is not a failure.



TROUBLESHOOTING GUIDE		
Symptoms	Possible Cause	Solutions / Information
<b>Loading door cannot be opened.</b>	• Door lock is activated because of the water level in the machine.	Drain the water by running the drain or Spin programme.
	• Machine is mid-cycle.	Wait until the programme completes.
	• Child lock is engaged. Door lock will be deactivated a couple of minutes after the programme has come to an end.	Wait for a couple of minutes for deactivation of the door lock.
<b>Washing takes longer time than the one specified in the manual.</b>	• Water pressure is low.	Machine waits until taking in adequate amount of water to prevent poor washing quality due to the decreased amount of water. Therefore, the washing time extends.
	• Voltage might be low.	Washing time is prolonged to avoid poor washing results when the supply voltage is low.
	• Input temperature of water might be low.	Required time to heat up the water extends in cold seasons. Also, washing time can be lengthened to avoid poor washing results.
	• Number of rinses and/or amount of rinse water might have increased.	Machine increases the amount of rinse water when good rinsing is needed and adds an extra rinsing step if necessary.
	• Excessive foam might have occurred and automatic foam absorption system might have been activated due to too much detergent usage.	Use recommended amount of detergent.
	• Machine does not switch to spinning step when the laundry is not evenly distributed in the drum to prevent any damage to the machine and to its surrounding environment.	Laundry should be rearranged and re-spun.
<b>Programme time does not countdown.</b>	• Timer may stop during water intake.	Timer indicator will not countdown until the machine takes in adequate amount of water. The machine will wait until there is sufficient amount of water to avoid poor washing results due to lack of water. Timer indicator will resume countdown after this.
	• Timer may stop during heating step.	Timer indicator will not countdown until the machine reaches the selected temperature.
	• Timer may stop during spinning step.	Automatic unbalanced load detection system might be activated due to the unbalanced distribution of the laundry in the drum.
	• Machine does not switch to spinning step when the laundry is not evenly distributed in the drum to prevent any damage to the machine and to its surrounding environment.	Laundry should be rearranged and re-spun.
<b>Programme time does not countdown.</b>	• There might be an imbalance of laundry in the machine.	Automatic unbalanced load detection system might be activated due to the unbalanced distribution of the laundry in the drum.
	• Machine does not switch to spinning step when the laundry is not evenly distributed in the drum to prevent any damage to the machine and to its surrounding environment.	Laundry should be rearranged and re-spun.

TROUBLESHOOTING GUIDE		
Symptoms	Possible Cause	Solutions / Information
<b>Machine does not switch to spinning step.</b>	• There might be an imbalance of laundry in the machine.	Automatic unbalanced load detection system might be activated due to the unbalanced distribution of the laundry in the drum.
	• Machine does not switch to spinning step when the laundry is not evenly distributed in the drum to prevent any damage to the machine and to its surrounding environment.	Laundry should be rearranged and re-spun.
	• The machine will not spin if water is not drained completely.	Check the filter and the drain hose for blockages.
	• Excessive foam might have occurred and automatic foam absorption system might have been activated due to too much detergent usage.	Use recommended amount of detergent.
<b>Washing performance is poor: Laundry turns grey.</b>	• Insufficient amount of detergent was used over a long period of time..	Use the recommended amount of detergent appropriate for water hardness and the laundry.
	• Washing at low temperatures over a long period of time.	Select the proper temperature for the laundry to be washed.
	• Insufficient amount of detergent is used with hard waters.	Using insufficient amount of detergent with hard water causes the soil to stick on the cloth and this turns the cloth into grey in time. It is difficult to eliminate greying once it happens. Use the recommended amount of detergent appropriate for water hardness and the laundry.
	• Too much detergent is used.	Use the recommended amount of detergent appropriate for water hardness and the laundry.
	• Not separating dark and white laundry.	Wash whites separately
<b>Washing performance is poor: Stains persist or the laundry is not cleaned</b>	• Insufficient amount of detergent is used.	Use recommended amount of detergent appropriate for the laundry.
	• Excessive laundry was loaded.	Do not load the machine in excess. Load with amounts recommended in the "Programme and consumption table".
	• Wrong programme and temperature were selected.	Select the proper programme and temperature for the laundry to be washed.
	• Wrong type of detergent is used.	Use detergent appropriate for the machine.
	• Detergent is put in the wrong compartment.	Put the detergent in the correct compartment. Do not mix the bleaching agent and the detergent.
	• Regular drum cleaning is not applied.	Clean the drum regularly. For this, please see "Cleaning the door and the drum".
<b>Washing performance is poor: Oily stains appeared on the laundry.</b>	• Regular drum cleaning is not applied.	Clean the drum regularly. For this, please see "Cleaning the door and the drum".
<b>Washing performance is poor: Clothes smell unpleasantly.</b>	• Odours and bacteria layers are formed on the drum as a result of continuous washing at lower temperatures and/or in short programmes.	Leave the detergent drawer as well as the loading door of the machine ajar after each wash. Thus, a humid environment favourable for bacteria cannot occur in the machine.
	• Regular drum cleaning is not applied.	Clean the drum regularly. For this, please see "Cleaning the door and the drum".

## TROUBLESHOOTING GUIDE

Symptoms	Possible Cause	Solutions / Information
<b>Colour of the clothes is fading.</b>	• Excessive laundry was loaded in.	Do not load the machine in excess.
	• Detergent in use is damp.	Keep detergents closed in an environment free of humidity and do not expose them to excessive temperatures.
	• A higher temperature is selected.	Select the proper programme and temperature according to the type and soiling degree of the laundry.
	• Regular drum cleaning is not applied.	Clean the drum regularly. For this, please see "Cleaning the door and the drum".
<b>It does not rinse well.</b>	• The amount, brand and storage conditions of the detergent used are inappropriate.	Use a detergent appropriate for the washing machine and your laundry. Keep detergents closed in an environment free of humidity and do not expose them to excessive temperatures
	• Detergent is put in the wrong compartment.	If detergent is put in the prewash compartment although prewash cycle is not selected, machine can take this detergent during rinsing or softener step. Put the detergent in the correct compartment.
	• Pump filter is clogged.	Check the filter.
	• Drain hose is kinked or blocked.	Check the drain hose.
<b>Laundry became stiff after washing.</b>	• Insufficient amount of detergent is used.	Using insufficient amount of detergent for the water hardness can cause the laundry to become stiff in time. Use appropriate amount of detergent according to the water hardness.
	• Detergent is put in the wrong compartment.	If detergent is put in the prewash compartment although prewash cycle is not selected, machine can take this detergent during rinsing or softener step. Put the detergent in the correct compartment.
	• Detergent might be mixed with the softener.	Do not mix the softener with detergent. Wash and clean the dispenser with hot water.
	• Regular drum cleaning is not applied.	Clean the drum regularly. For this, please see "Cleaning the door and the drum".
<b>Laundry does not smell like the softener.</b>	• Detergent is put in the wrong compartment.	If detergent is put in the prewash compartment although prewash cycle is not selected, machine can take this detergent during rinsing or softener step. Wash and clean the dispenser with hot water. Put the detergent in the correct compartment.
	• Detergent might be mixed with the softener.	Do not mix the softener with detergent. Wash and clean the dispenser with hot water.
	• Regular drum cleaning is not applied.	Clean the drum regularly. For this, please see "Cleaning the door and the drum".

**TROUBLESHOOTING GUIDE**

Symptoms	Possible Cause	Solutions / Information
<b>Detergent residue in the detergent drawer.</b>	<ul style="list-style-type: none"> <li>Detergent is put in wet drawer.</li> </ul>	Dry the detergent drawer before putting in detergent.
	<ul style="list-style-type: none"> <li>Detergent has gotten damp.</li> </ul>	Keep detergents closed in an environment free of humidity and do not expose them to excessive temperatures.
	<ul style="list-style-type: none"> <li>Water pressure is low.</li> </ul>	Check the water pressure.
	<ul style="list-style-type: none"> <li>The detergent in the main wash compartment got wet while taking in the prewash water. Holes of the detergent compartment are blocked.</li> </ul>	Check the holes and clean if they are clogged
	<ul style="list-style-type: none"> <li>There is a problem with the detergent drawer valves.</li> </ul>	Call the Authorized Service Agent.
	<ul style="list-style-type: none"> <li>Detergent might be mixed with the softener.</li> </ul>	Do not mix the softener with detergent. Wash and clean the dispenser with hot water.
<b>There is detergent left on the laundry.</b>	<ul style="list-style-type: none"> <li>Regular drum cleaning is not applied.</li> </ul>	Clean the drum regularly. For this, please see "Cleaning the door and the drum".
	<ul style="list-style-type: none"> <li>Excessive laundry was loaded in.</li> </ul>	Do not load the machine in excess.
	<ul style="list-style-type: none"> <li>Wrong programme and temperature were selected.</li> </ul>	Select the proper programme and temperature for the laundry to be washed.
	<ul style="list-style-type: none"> <li>Wrong detergent was used.</li> </ul>	Select the proper detergent for the laundry to be washed.
<b>Too much foam forms in the machine.</b>	<ul style="list-style-type: none"> <li>Regular drum cleaning is not applied.</li> </ul>	Clean the drum regularly. For this, please see "Cleaning the door and the drum".
	<ul style="list-style-type: none"> <li>Improper detergents for the washing machine are being used.</li> </ul>	Use detergents appropriate for the washing machine.
	<ul style="list-style-type: none"> <li>Excessive amount of detergent is used.</li> </ul>	Use only sufficient amount of detergent
	<ul style="list-style-type: none"> <li>Detergent was stored under improper conditions.</li> </ul>	Store detergent in a closed and dry location. Do not store in excessively hot places.
	<ul style="list-style-type: none"> <li>Some meshed laundry such as tulle may foam too much because of their texture.</li> </ul>	Use smaller amounts of detergent for this type of item.
	<ul style="list-style-type: none"> <li>Detergent is put in the wrong compartment.</li> </ul>	Put the detergent in the correct compartment.
	<ul style="list-style-type: none"> <li>Softener is being taken early.</li> </ul>	There may be problem in the valves or in the detergent dispenser. Call the Authorized Service Agent.
	<ul style="list-style-type: none"> <li>Regular drum cleaning is not applied.</li> </ul>	Clean the drum regularly. For this, please see "Cleaning the door and the drum".

## TROUBLESHOOTING GUIDE

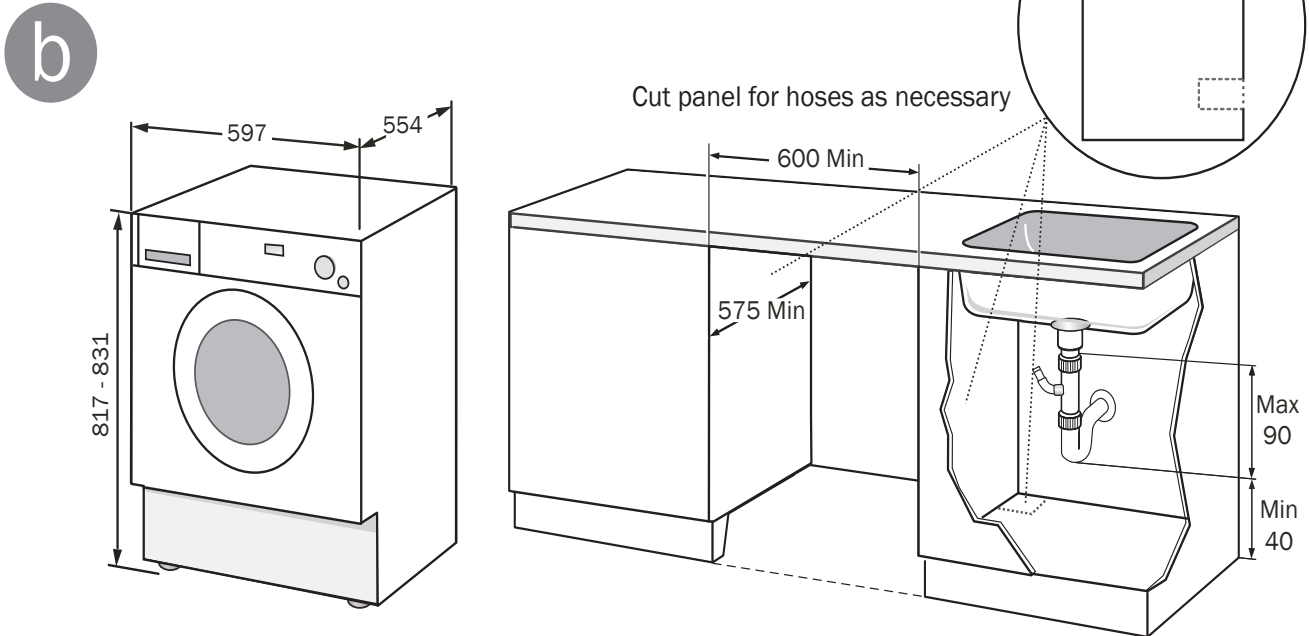
Symptoms	Possible Cause	Solutions / Information
<b>Foam is overflowing from the detergent drawer.</b>	<ul style="list-style-type: none"> <li>Too much detergent is used</li> </ul>	<p>To reduce foam mix 1 tablespoonful softener and ½ l water and pour into the main wash compartment of the detergent drawer.</p> <p>Put detergent into the machine suitable for the programmes and maximum loads indicated in the "Programme and consumption table". When you use additional chemicals (stain removers, bleaches and etc), reduce the amount of detergent.</p>
<b>Laundry remains wet at the end of the programme</b>	<ul style="list-style-type: none"> <li>Excessive foam might have occurred and automatic foam absorption system might have been activated due to too much detergent usage.</li> </ul>	<p>Use recommended amount of detergent.</p> <p>Machine does not switch to spinning step when the laundry is not evenly distributed in the drum to prevent any damage to the machine and to its surrounding environment. Laundry should be rearranged and re-spun.</p>
<b>Machine doesn't work. Nothing is displayed on the screen.</b>	<ul style="list-style-type: none"> <li>The plug might not be plugged in the mains outlet.</li> <li>Fuse may have blown.</li> <li>Electricity may be cut off.</li> <li>The "On/Off" button might not have been pressed.</li> </ul>	<p>Check the plug.</p> <p>Check the fuse.</p> <p>Check the supply power.</p> <p>Press this button.</p>
<b>The machine did not start after the programme was selected and the «Start/Pause/Cancel» button was pressed.</b>	<ul style="list-style-type: none"> <li>The door may be ajar.</li> </ul>	<p>Check the door is firmly closed.</p>
<b>The Rinse Symbol amongst the Programme Indicator Symbols is flashing. (Subject to the model of your machine, water cut-off symbol may light up too)</b>	<ul style="list-style-type: none"> <li>Water may have been cut off.</li> </ul>	<p>You can restart your machine by pressing the «Start/Pause/Cancel» button for a short time after ensuring that the water is connected.</p> <p>Check water connections.</p>
<b>Drying lasts too long</b>	<ul style="list-style-type: none"> <li>Excessive laundry loaded.</li> <li>Laundry is not spun enough.</li> <li>Tap is turned off.</li> </ul>	<p>Do not load the machine in excess.</p> <p>Spin at a higher speed in washing step in the dryer washing machine.</p> <p>Turn on the taps.</p>
<b>Laundry is still damp after drying.</b>	<ul style="list-style-type: none"> <li>An appropriate programme according to laundry type.</li> <li>Excessive laundry loaded.</li> <li>Laundry is not spun enough.</li> </ul>	<p>Check care labels on clothes and select an appropriate programme or use timed programmes in addition.</p> <p>Do not load the machine in excess.</p> <p>Spin at a higher speed in washing step in the dryer washing machine.</p>
<b>Machine does not start or programme cannot be started</b>	<ul style="list-style-type: none"> <li>Power cable is not connected.</li> <li>Programme is not set or start / pause / cancel button is not pressed.</li> <li>Child lock enabled.</li> </ul>	<p>Make sure the power cable is connected.</p> <p>Make sure the programme is set and it is not in stand by mode.</p> <p>Disable child lock.</p>
<b>Laundry is shrunken, pale, matted or damaged</b>	<ul style="list-style-type: none"> <li>An appropriate programme according to laundry type is not selected.</li> </ul>	<p>Check care labels on clothes and select an appropriate programme or use timed programmes in addition. You must not dry clothes that are not suitable for drying.</p>
<b>Machine does not dry</b>	<ul style="list-style-type: none"> <li>Drum too full. Incorrect drying cycle selected.</li> </ul>	<p>Only dry half a load.</p> <p>Select correct drying cycle for fabric.</p>
<b>Loading door cannot be opened</b>	<ul style="list-style-type: none"> <li>Your machines door is not opened for safety reasons.</li> </ul>	<p>If door locked indicators is still active on display after drying, machine keeps the loading door locked until it cools for your safety.</p>



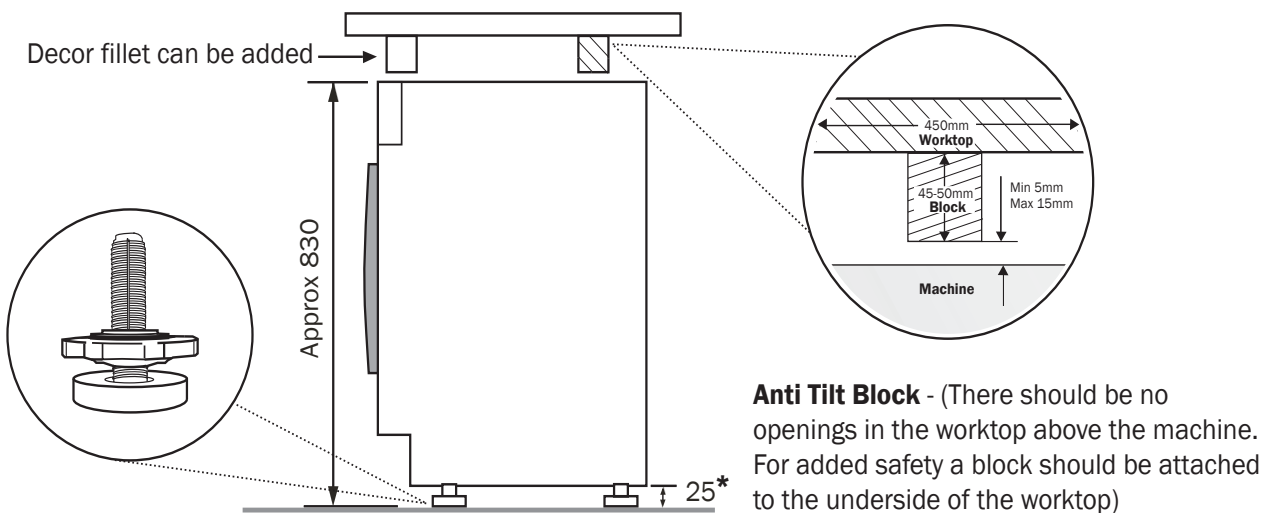
If you cannot eliminate the problem After following the instructions in this section, consult your dealer or the Authorized Service Agent. Never try to repair a nonfunctional product yourself.

## 08 - Built-in Installation

**a** **IMPORTANT**  
**REMOVE TRANSIT BOLTS FROM THE REAR OF THE MACHINE**  
**REMOVE POLYSTYRENE BLOCK FROM UNDER THE FRONT OF THE MACHINE**

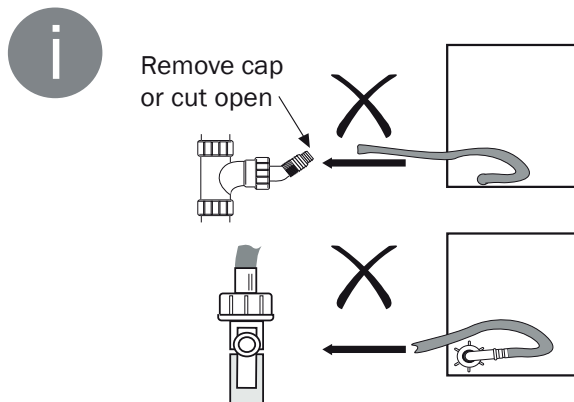
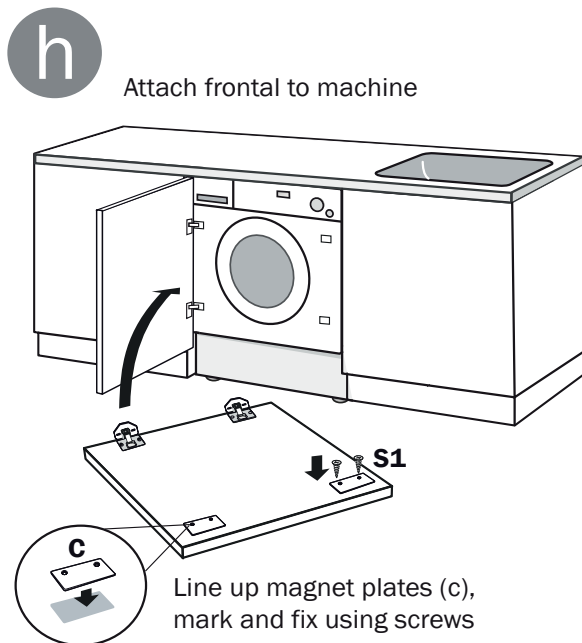
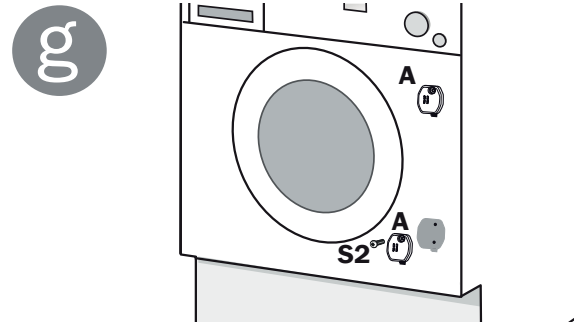
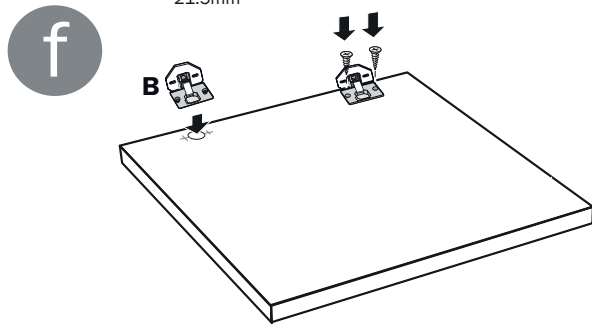
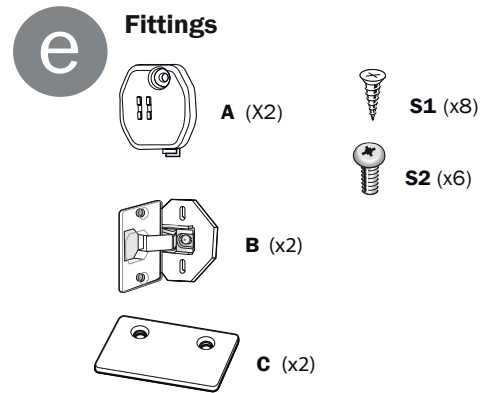
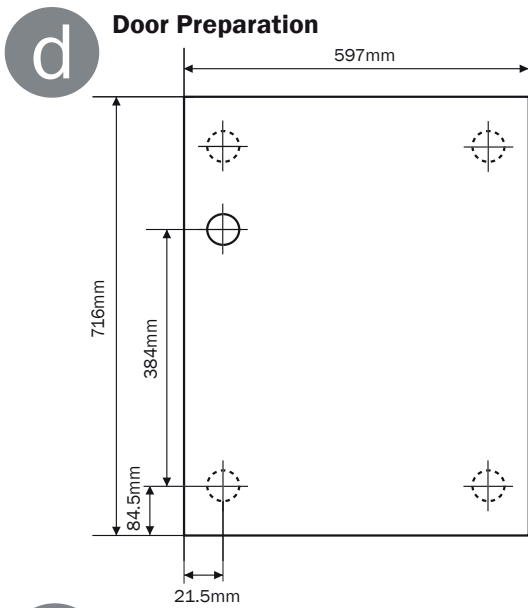


**c** **Ensure feet are adjusted so the machine is level and stable (i.e doesn't move, rock or wobble)**  
**- Once adjusted to the correct height tighten the locking nuts**



\*(At nominal set up - 165mm from the floor to the base of the cabinet)

# 08 - Built-in Installation



When pushing the machine back into position, be careful not to trap or kink hoses - machine will not function correctly

**(Please check hose positions once installed for kinks)**

**(Ensure water and power can be isolated once machine is installed into position)**

## 09 - Specification

<b>Complying Commission Delegated Regulation (EU) NO 96/60/EC/1996</b>	
Supplier name or trademark	Howdens
Model name	HJA8900
(1) Washer dryer energy efficiency class	A
(1) Washing energy efficiency class	A
(Washing & drying) energy consumption - full load per cycle (kWh)	5,44
Washing energy consumption - full load per cycle (kWh)	0,76
(2) Annual washing and drying energy consumption (kWh)	1088
(2) Annual washing energy consumption	172
Water consumption (washing & drying) full load per cycle	78
Water consumption (washing) full load per cycle	47
(3) Annual water consumption (washing and drying)	15600
(3) Annual water consumption (washing)	9400
(1) spin drying efficiency class	A
Maximum spin speed (rpm)	1400
Airbourne acoustical noise emissions washing / spinning / drying (dB)	58/73/47
Built in	Yes
Related capacity washing (kg)	8
Rated capacity drying (kg)	5
Height (cm)	82
Width (cm)	60
Depth (cm)	55
Net weight 4+/- (kg)	68
Single water inlet / double water inlet available ●	● / -
Electrical input (V/Hz)	230 V / 50Hz
Total current (A)	10
Total power (W)	2200
VDE main model	9620
(1) Scale from A (highest efficiency) to G (lowest efficiency)	
(2) (3) Energy consumption based on 200 standard washing cycles - full loads washing (and drying). Actual energy consumption will depend on how the appliance is used.	

Technical specifications may be changed without prior notice to improve the quality of the product. Figures in this manual are schematic and may not match the product exactly.

Values stated on the product labels or in the documentation accompanying it are obtained in laboratory conditions in accordance with the relevant standards. Depending on operational and environmental conditions of the product, these values may vary.



## 10 - Your guarantee

### Product Guarantee Details (UK only)

**Your appliance has the benefit of a comprehensive manufacturer's guarantee which covers the cost of breakdown repairs. (Details of which are shown on your Proof of Purchase Document).**

- Any claim during the period of the guarantee (MUST BE ACCOMPANIED BY THE PROOF OF PURCHASE)
- The product must be correctly installed and operated in accordance with the manufacturer's instructions and used for normal domestic purposes.
- This guarantee does not cover accidental damage, misuse or alternations which are likely to affect the product.
- The guarantee is invalid if the product is tampered with, or repaired by any unauthorised person.

(The guarantee in no way affects your statutory or legal rights)

### What to do if you need to report a problem-

Please ensure you have ready:

- The product's model and serial numbers
- Howdens Proof of Purchase document
- Your full contact details

**Call the Depot number on your Proof of Purchase Document supplied with the product / kitchen.**

**Or**

**Call the Service Line on 0845 00 60 006**

**\* Product installed within a domestic kitchen or non-domestic kitchen where 8 or fewer people are using the appliance.**

<p><b>Where to find the model and serial number on your machine.</b></p>	<p><b>Open door - under the porthole</b></p>
--	--



Product serial number  
(Place sticker here)