

Operating and
installation instructions

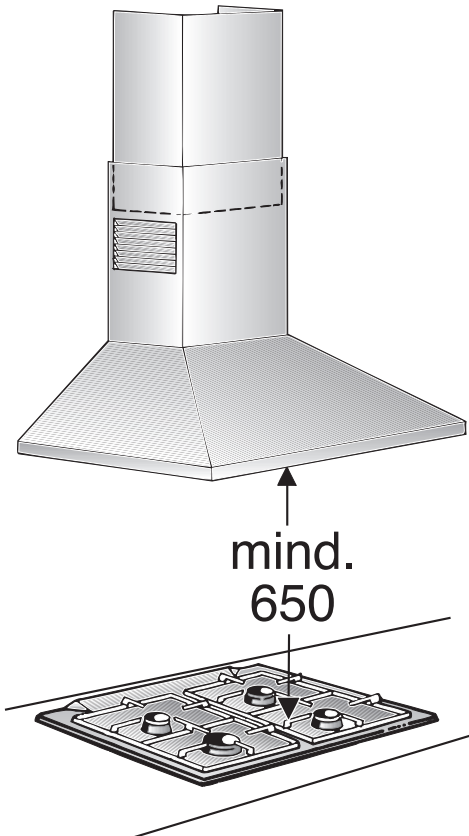


Household Appliances

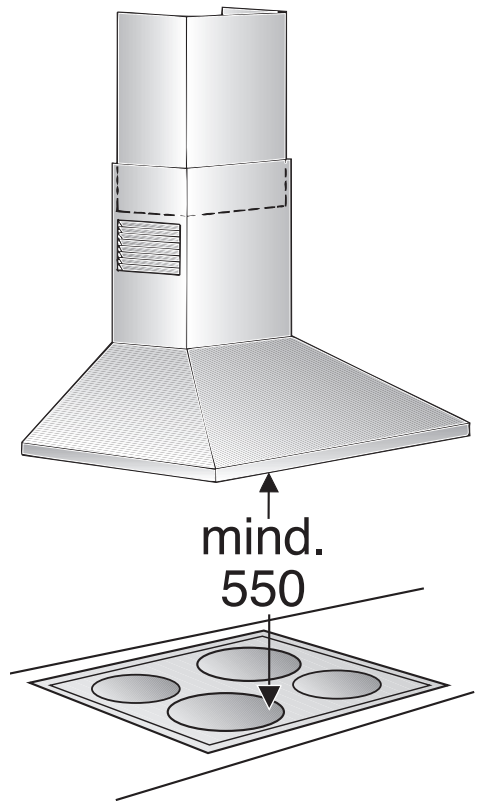


BOSCH

Fig. 1
GAZ

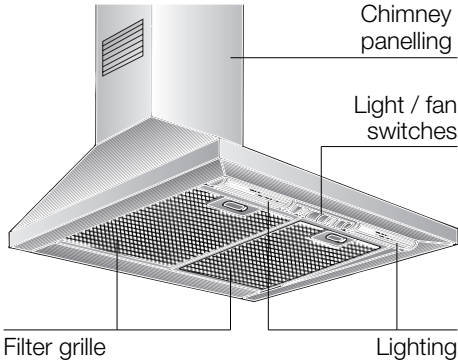


ELECTRO



Operating Instructions

Appliance description



Operating modes

Exhaust-air mode:

- The extractor-hood fan extracts the kitchen vapours and conveys them through the grease filter into the atmosphere.
- The grease filter absorbs the solid particles in the kitchen vapours.
- The kitchen is kept almost free of grease and odours.

⚠ When the extractor hood is operated in exhaust-air mode simultaneously with a different burner which also makes use of the same chimney (such as gas, oil or coal-fired heaters, continuous-flow heaters, hot-water boilers) care must be taken to **ensure that there is an adequate supply of fresh air** which will be needed by the burner for combustion.

Safe operation is possible provided that the underpressure in the room where the burner is installed does not exceed 4 Pa (0.04 mbar).

Operating modes

This can be achieved if combustion air can flow through non-lockable openings, e.g. in doors, windows and via the air-intake/exhaust-air wall box or by other technical measures, such as reciprocal interlocking, etc.

If the air intake is inadequate, there is a risk of poisoning from combustion gases which are drawn back into the room.

An air-intake/exhaust-air wall box by itself is no guarantee that the limiting value will not be exceeded.

Note: When assessing the overall requirement, the combined ventilation system for the entire household must be taken into consideration. This rule does not apply to the use of cooking appliances, such as hobs and ovens.

Unrestricted operation is possible if the extractor hood is used in recirculating mode – with activated carbon filter.

Circulating-air mode:

- An activated carbon filter must be fitted for this operating mode (see Filters and maintenance).
 - ⚠** The complete installation set and replacement filters can be obtained **from specialist** outlets. The corresponding accessory numbers can be found at the end of these operating instructions.
- The extractor-hood fan extracts the kitchen vapours which are purified in the grease filter and activated carbon filter and then conveyed back into the kitchen.
- The grease filter absorbs the grease particles in the kitchen vapours.
- The activated carbon filter binds the odorous substances.
- ⚠** If no activated carbon filter is installed, it is not possible to bind the odorous substances in the cooking vapours.

Before using for the first time

Important notes:

- ❑ The Instructions for Use apply to several versions of this appliance. Accordingly, you may find descriptions of individual features that do not apply to your specific appliance.
- ❑ This extractor hood complies with all relevant safety regulations.
Repairs should be carried out by qualified technicians only.
Improper repairs may put the user at considerable risk.
- ❑ Before using your appliance for the first time, please read these Instructions for Use carefully. They contain important information concerning your personal safety as well as on use and care of the appliance.
- ❑ Please retain the operating and installation instructions for a subsequent owner.

- ❑ This appliance is labelled in accordance with European Directive 2002/96/EG concerning used electrical and electronic appliances (waste electrical and electronic equipment – WEEE). The guideline determines the framework for the return and recycling of used appliances as applicable throughout the EU.



If you encounter a problem

If you have any questions or if a fault occurs, please call Customer Service. (See list of Customer Service representatives).





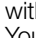
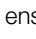


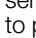

When you call, please quote the following:


E-Nr.	FD
-------	----

Enter the relevant numbers into the box above. The E-Nr. (product no.) and FD (production date) are shown on the nameplate which can be seen inside the extractor hood after the filter frame has been detached.

⚠ The manufacturer of the extractor hoods accepts no liability for complaints which can be attributed to the design and layout of the pipework.

Safety instructions


-  Do not use the appliance if damaged.
-  The appliance may be connected to the mains by a qualified technician only.
-  The appliance is not intended for use by young children or infirmed persons without supervision.
Young children should be supervised to ensure they do not play with the appliance.
-  If the connecting cable for this appliance is damaged, the cable must be replaced by the manufacturer or his customer service or a similarly qualified person in order to prevent serious injury to the user.
-  Dispose of packaging materials properly (see Installation instructions).
-  This extractor hood is designed for domestic use only.
-  Light bulbs must always be fitted when the extractor hood is in use.
-  Defective bulbs should be replaced immediately to prevent the remaining bulbs from overloading.
-  Never operate the extractor hood without a grease filter.
-  Overheated fat or oil can easily catch fire. If you are cooking with fat or oil, e.g. chips, etc., never leave the cooker unattended.


-  Never allow children to play with the appliance.


Do not let adults or children operate the appliance unsupervised:

- if they are mentally or physically unable to use the appliance safely and correctly,
- if they don't have the knowledge and experience to use the appliance safely and correctly.


-  Do not flambé food directly under the extractor hood.

 Risk of grease filter catching fire due to flames.

-  The hotplates must always be covered with a utensil.

-  Restrictions apply to the use of the extractor hood over a solid-fuel burner (coal, wood, etc.). (See Installation instructions).

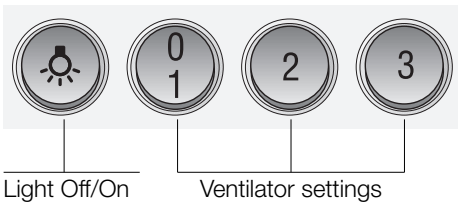
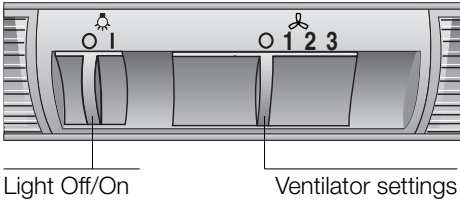
Gas hobs / Gas cookers

-  Do not use all the gas hotplates simultaneously for a prolonged period (max. 15 minutes) at maximum thermal load, otherwise there is a risk of burns if the housing surfaces are touched or a risk of damage to the extractor hood. If the extractor hood is situated over a gas hob, operate the hood at maximum setting if three or more gas hotplates are operated simultaneously.

Operating procedure

⚠ The most effective method of removing vapours produced during cooking is to:

- Switch the ventilator ON**
as soon as you begin cooking.
- Switch the ventilator OFF**
a few minutes after you have finished cooking.



Lighting:

- The light can be switched on at any time, even though the fan is switched off.

Filters and maintenance

Grease filters:

Metal filters are used to trap the greasy element of the vapours that develop during cooking.

The filter mats are made from non-combustible metal.

Caution:

As the filter becomes more and more saturated with grease, not only does the risk of it catching fire increase but the efficiency of the extractor hood can also be adversely affected.

Important:

By cleaning the metal grease filters at appropriate intervals, the possibility of them catching fire as a result of a build-up of heat such as occurs when deep-fat frying or roasting is taking place, is reduced.

Cleaning the metal grease filters:

- In normal operation (1 to 2 hours daily), the metal grease filter must be cleaned 1 x a month.
- The filters can be cleaned in a dishwasher. It is however possible that they will become slightly discoloured.
- The filter must be placed loosely, and NOT wedged, in the dishwasher.

Important:

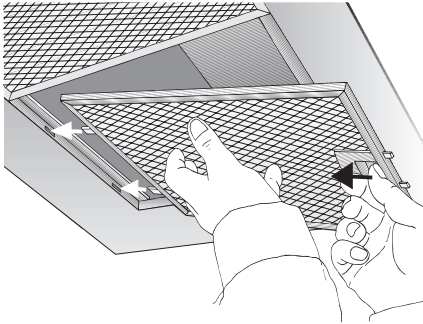
Metal filters that are saturated with grease should not be washed together with other dishes etc.

- When cleaning the filters by hand, soak them in hot soapy water first of all. Do not use aggressive, acidic or caustic cleaners. Then brush the filters clean, rinse them thoroughly and leave the water to drain off.

Filters and maintenance

Removing and inserting the metal grease filters:

1. Press the catch on the grease filters inwards and fold the filters down. At the same time take hold of the underside of the grease filters with your other hand.



2. Clean the filters.
3. Insert the clean filters back into the hood.

Activated carbon filter:

For neutralizing odours in recirculating mode.

Caution:

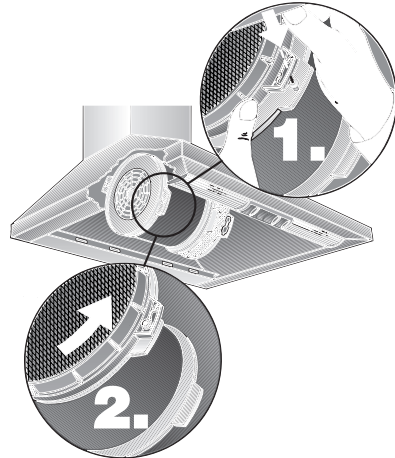
As the filter becomes more and more saturated with grease, there is an increased risk of fire and the function of the extractor hood may be impaired.

Important:

Change the activated carbon filter promptly to prevent the risk of fire from the accumulation of heat when deep-fat frying or roasting.

Inserting the filter:

1. Remove the metal filters (see "Removing and inserting the metal grease filters").
2. Insert an activated carbon filter on the right and left of the fan motor and rotate the filters until they lock into position.



3. Insert the grease filters (see removal and installation of the metal-mesh grease filters).

Removing the filter:

The filters are removed in reverse sequence.

Replacing the activated carbon filters:

- During normal operation (1 to 2 hours per day) the activated carbon filters should be replaced approximately 1 x year.
- The activated carbon filters are available from specialist outlets (see Optional accessories).
- Use only original filters.** The appliance is then guaranteed to function perfectly.

Disposal of old activated carbon filters:

- Activated carbon filters do NOT contain any harmful substances. They can therefore be disposed of as household refuse.

Cleaning and care

Isolate the extractor hood by pulling out the mains plug or switching off the fuse.

- ⚠ Do not clean the extractor hood with abrasive sponges or with cleaning agents which contain sand, soda, acid or chlorine!
- ❑ Clean the extractor hood with a hot soap solution or a mild window cleaner.
- ❑ Do not scrape off dried-on dirt but wipe off with a damp cloth.
- ❑ When cleaning the grease filters, remove grease deposits from accessible parts of the housing. This prevents the risk of fire and ensures that the extractor hood continues operating at maximum efficiency.
- ⚠ Clean the switch with a soft, damp cloth (mild detergent solution) only. Do not use stainless steel polish on the switch.

Stainless steel surfaces:

- ❑ Use a mild non-abrasive stainless steel cleaner.
- ❑ Clean the surface in the same direction as it has been ground and polished.
- ❑ We recommend our stainless steel cleaner no. 461731. See enclosed service booklet for order address.

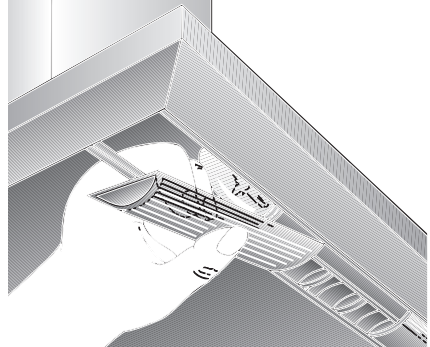
Aluminium, coated and plastic surfaces:

- ❑ Do not use dry cloths.
- ❑ Use a mild window cleaning agent.
- ❑ Do not use aggressive, acidic or caustic cleaners.

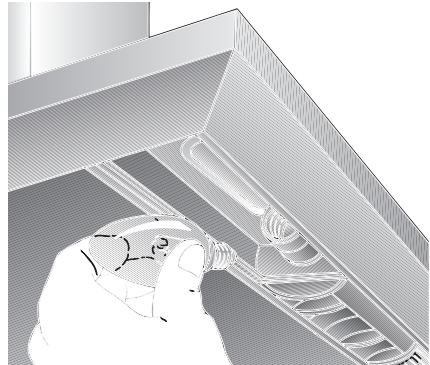
Observe the warranty regulations in the enclosed service booklet.

Replacing the light bulbs

1. Switch off the extractor hood and pull out the mains plug or switch off the electricity supply at the fuse box.
2. Remove the grease filters (see Filters and Maintenance).
3. Press down the bulb cover and disconnect from the light strip.



4. Replace the bulb (standard filament bulb, max 40 W, E14 bulb holder).



5. Attach the lamp cover again.
6. Re-insert the grease filters.
7. Plug the appliance into the mains or switch it on at the fuse box.

Installation Instructions:

Important information

⚠ Old appliances are not worthless rubbish. Valuable raw materials can be reclaimed by recycling old appliances. Before disposing of your old appliance, render it unusable.

⚠ You received your new appliance in a protective shipping carton. All packaging materials are environmentally friendly and recyclable. Please contribute to a better environment by disposing of packaging materials in an environmentally-friendly manner.

Please ask your dealer or inquire at your local authority about current means of disposal.

⚠ The extractor hood can be used in exhaust air or circulating air mode.

⚠ Always mount the extractor hood over the centre of the hob.

⚠ Minimum distance between electric hob and bottom edge of extractor hood: **550 mm**, Fig. 1.

⚠ The extractor hood must not be installed over a solid fuel cooker – a potential fire hazard (e.g. flying sparks) – unless the cooker features a **closed, non-removable cover** and all national regulations are observed.

⚠ The smaller the gap between the extractor hood and hotplates, the greater the likelihood that droplets will form on the underside of the extractor hood.

Additional information concerning gas cookers:

⚠ When installing gas hotplates, comply with the relevant national statutory regulations (e.g. in Germany: Technische Regeln Gasinstallation TRGI).

⚠ Always comply with the currently valid regulations and installation instructions supplied by the gas appliance manufacturer.

⚠ Only one side of the extractor hood may be installed next to a high-sided unit or high wall. Gap at least 50 mm.

⚠ Minimum distance on gas hotplates between the upper edge of the trivet and lower edge of the extractor hood: **650 mm**, Fig. 1.

Prior to installation

Preparing the wall

- The wall must be flat and perpendicular.
- Make sure that the wall can bear the applied loads.
- The provided screws and wall plugs are suitable for solid masonry. On all other wall types (e.g. plasterboard, porous concrete, Poroton bricks) use the appropriate fasteners.
- Ensure that the wall is capable of providing a firm hold for mounting screws and plugs.

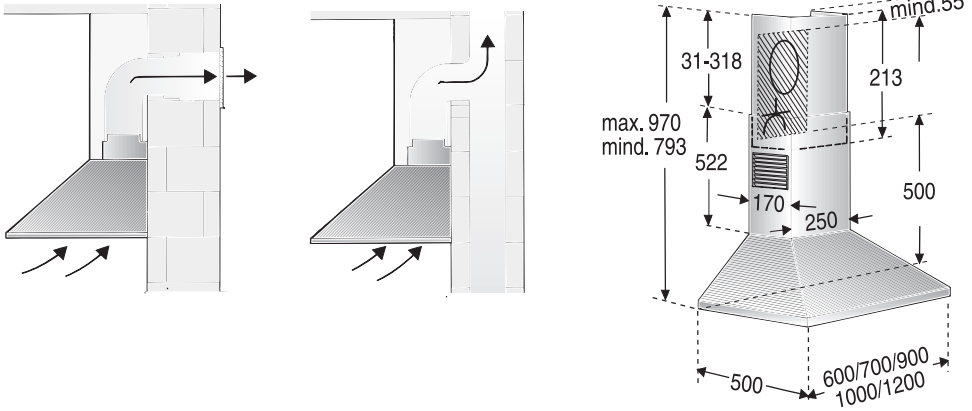
Weight in kg:

	Exhaust air	Recirculating air
60 cm	12,5	13,5
70 cm	13,0	14,0
90 cm	13,9	14,9
100 cm	14,8	15,8
120 cm	16,0	17,5

We reserve the right to construction changes within the context of technical development.

Prior to installation

Exhaust-air mode



The exhaust air is discharged upwards through a ventilation shaft or directly through the outside wall into the open.

☞ Exhaust air should neither be directed into a smoke or exhaust flue that is currently used for other purposes, nor into a shaft that is used for ventilating rooms in which stoves or fireplaces are also located.

Exhaust air may be discharged in accordance with official and statutory regulations only (e.g. national building regulations).

Local authority regulations must be observed when discharging air into smoke or exhaust flues that are not otherwise in use.

☞ **When the extractor hood is operated in exhaust-air mode simultaneously with a different burner which also makes use of the same chimney** (such as gas, oil or coal-fired heaters, continuous-flow heaters, hot-water boilers) care must be taken to **ensure that there is an adequate supply of fresh air** which will be needed by the burner for combustion.

Safe operation is possible provided that the underpressure in the room where the burner is installed does not exceed 4 Pa (0.04 mbar).

This can be achieved if combustion air can flow through non-lockable openings, e.g. in doors, windows and via the air-intake/exhaust-air wall box or by other technical measures, such as reciprocal interlocking, etc.

If the air intake is inadequate, there is a risk of poisoning from combustion gases which are drawn back into the room.

An air-intake/exhaust-air wall box by itself is no guarantee that the limiting value will not be exceeded.

Note: When assessing the overall requirement, the combined ventilation system for the entire household must be taken into consideration. This rule does not apply to the use of cooking appliances, such as hobs and ovens.

Unrestricted operation is possible if the extractor hood is used in recirculating mode – with activated carbon filter.

If the exhaust air is going to be discharged into the open, a telescopic wall box should be fitted into the outside wall.

Prior to installation

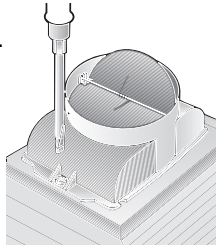
For operating in exhaust-air mode, a one-way flap should be mounted inside the extractor hood unless there is already one fitted in the outlet duct or wall ventilation box.

If no one-way flap was enclosed with the hood, it can be obtained from a specialist retailer.

Installing the one-way flap:

- ❑ Snap the one-way flap into the air pipe.

⚠ The two lightly sprung flaps must be able to move upwards.



For optimum extractor hood efficiency:

- ❑ Short, smooth air exhaust pipe.
- ❑ As few bends in the pipe as possible.
- ❑ Diameter of pipe to be as large as possible and no tight bends in pipe.

If long, rough exhaust-air pipes, many pipe bends or smaller pipe diameters are used, the air extraction rate will no longer be at an optimum level and there will be an increase in noise.

⚠ The manufacturer of the extractor hoods accepts no liability for complaints which can be attributed to the design and layout of the pipework.

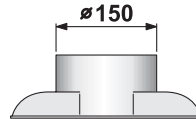
- ❑ **If pipes have different diameters:** Insert sealing strip.
- ❑ **For exhaust-air mode**, ensure that there is an adequate supply of fresh air.

- ❑ **Flat ducts** must have an internal cross-section that equates to that of round pipes.

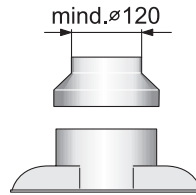
There should be no sharp bends.

Round pipes Internal diameter	Flat ducts Cross-section
∅ 100 mm	79 cm ²
∅ 120 mm	113 cm ²
∅ 150 mm	177 cm ²

Air connector ∅ 150 mm

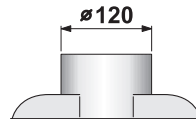


Mount the pipe directly onto the air outlet on the hood.

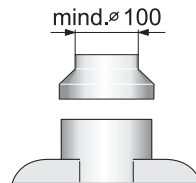


Attach the reducing connector (enclosed or available from specialist retailer) to the air pipe and then attach to the exhaust-air duct.

Air connector ∅ 120 mm



Mount the pipe directly onto the air outlet on the hood.

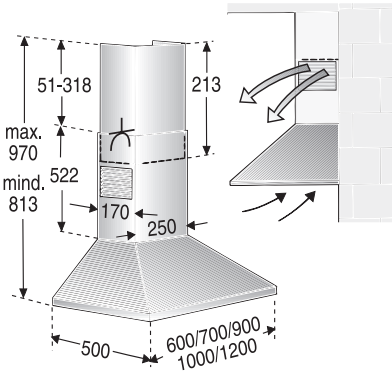


Attach the reducing connector (enclosed or available from specialist retailer) to the air pipe and then attach to the exhaust-air duct.

Prior to installation

Circulating-air mode

- With activated carbon filter if exhaust-air mode is not possible.



⚠ The complete installation set can be obtained **from specialist** outlets. The corresponding accessory numbers can be found at the end of these operating instructions.

Electrical connection

WARNING: THIS APPLIANCE MUST BE EARTHED

IMPORTANT: Fitting a Different Plug:

The wires in the mains lead are coloured in accordance with the following code:

Green and Yellow	– Earth
Blue	– Neutral
Brown	– Live

If you fit your own plug, the colours of these wires may not correspond with the identifying marks on the plug terminals.

Electrical connection

This is what you have to do:

1. Connect the green and yellow (Earth) wire to the terminal in the plug marked 'E' or with the symbol (\equiv), or coloured green or green and yellow.
2. Connect the blue (Neutral) wire to the terminal in the plug marked 'N' or coloured black.
3. Connect the brown (Live) wire to the terminal marked 'L', or coloured red.

The extractor hood should only be connected to an earthed socket that has been installed according to relevant regulations.

If possible, site the earthed socket directly behind the chimney panelling.

- The earthed socket should be connected via its own circuit.
- If the earthed socket is no longer accessible following installation of the extractor hood, ensure that there is a permanently installed disconnector.

If it is necessary to wire the extractor hood directly into the mains:

The extractor hood should only be connected to the electricity supply by a properly qualified electrician.

A separator must be installed in the household circuit. A suitable separator is a switch that has a contact gap of more than 3 mm and interrupts all poles. Such devices include circuit breakers and contactors.

⚠ If the connecting cable for this appliance is damaged, the cable must be replaced by the manufacturer or his customer service or a similarly qualified person in order to prevent serious injury to the user.

Electrical data:

Are to be found on the name plate inside the appliance after removal of the filter frame.

⚠ Before undertaking any repairs, always disconnect the extractor hood from the electricity supply.

Length of the connecting cable: 1.30 m.

This extractor hood corresponds to EC regulations concerning RF interference suppression.

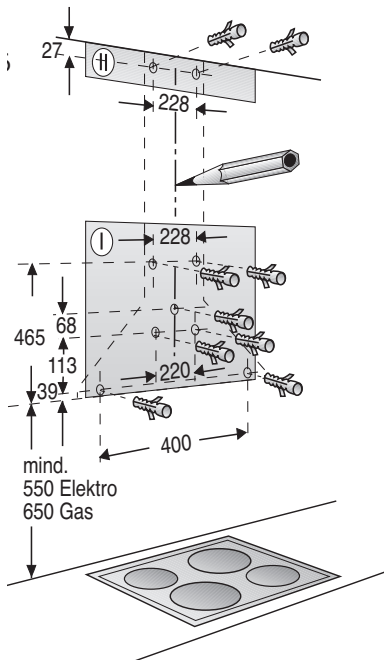
Installation

This extractor hood is intended to be mounted onto the kitchen wall.

1. Remove the grease filter (refer to Operating Instructions).
2. Draw a line on the wall from the ceiling to the lower edge of the hood at the centre of the location where the hood is going to be mounted.
3. Using the template, mark positions on the wall for the screws.

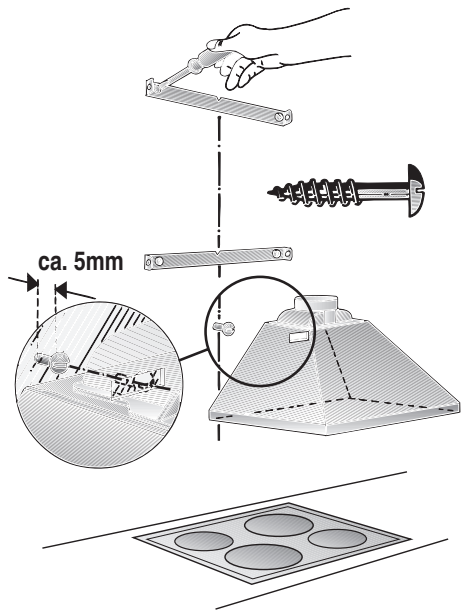
⚠ Ensure that the minimum distance between the hob and the extractor hood is maintained – **550 mm** for an electric hob and **650 mm** for a gas hob. The bottom edge of the template equates to the lower edge of the extractor hood.

4. Drill 5 holes (dia. 8 mm) for the extractor hood and 4 holes (dia. 8 mm) for the brackets for fixing the flue ducts and insert wall plugs flush with the wall.



Note: Take into account any special accessories that are going to be fitted.

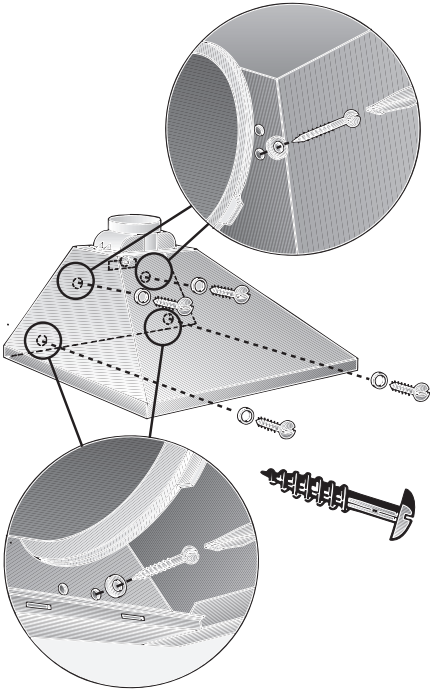
5. Screw on the 2 brackets for fixing the upper and lower flue ducts.
6. In order to help fix the hood onto the wall, screw in the middle screw (without a washer) until it protrudes by approx. 5 mm.
7. Hook the extractor hood over the screw in the wall



Installation

8. Insert the other 4 screws with washers.

⚠ Before the 4 screws are tightened down, align the extractor hood properly.



9. Connect up the air outlet pipe.

10. Connect the hood to the electricity supply.

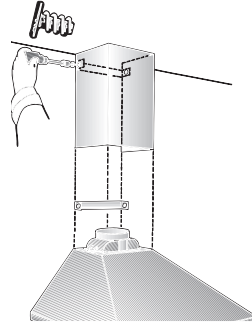
11. **Stainless steel model:**

- Remove the protective film from the two flue ducts.

⚠ Avoid damage to the sensitive surface.

Warning: The interior walls of the flue panelling can have sharp edges – Risk of injury –
We recommend that you wear gloves when installing.

12. Screw the upper flue duct to the sides of the fixing bracket with 2 short screws.

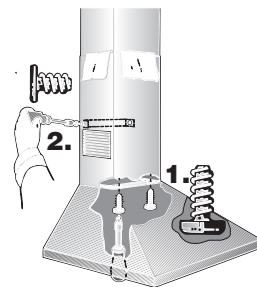


13. Position the lower flue duct on the extractor hood and screw the extractor hood to the flue duct from below with 2 long screws.

⚠ To prevent scratching the upper duct when pushing on the lower duct, cover the edge of the lower duct with the installation template or other protective material.

Then screw the flue duct to the sides of the fixing bracket with 2 short screws.

⚠ Before tightening the 2 screws, align the flue duct.



14. Re-insert the grease filter (see operating instructions).

		<p>DHZ 5145</p>
		<p>353121</p>

E-Mail: **bosch-infoteam@bshg.com**

Online-Shop: **www.bosch-eshop.com**