

INSTRUCTION BOOKLET

ZANUSSI

DISHWASHER
DI 445 TCR

CONTENTS

page 4	-	Warnings and Guidance
page 5	-	Installation
page 7	-	Electrical connections
page 8	-	The Controls
page 9	-	Using the controls
page 10	-	Using your machine
page 12	-	Loading your machine
page 14	-	Helpful hints
page 15	-	Use of detergent
page 16	-	Programme selection
page 17	-	Washing example
page 18	-	Maintenance & cleaning
page 20	-	Servicing
page 22	-	Building-in
page 24	-	Guarantee conditions

TECHNICAL SPECIFICATIONS

DIMENSIONS	Width	cm 45
	Height	cm 82
	Max depth	cm 60
	Max depth with door open	cm 115
WEIGHT	Gross	kg 42
	Net	kg 39
ELECTRICAL CONNECTION	Voltage (50 Hz)	220-240 V
POWER OF HEATING ELEMENT		2570 W
OVERALL POWER		2770 W
WATER SUPPLY PRESSURE	minimum	7 psi - 49 kN/cm ²
	maximum	110 psi - 758 kN/cm ²
CAPACITY (standard IEC place settings)		8
CONSUMPTION:	Water	18 lt
	Electricity	1.3 kW/h

WARNINGS AND GUIDANCE

It is most important that this instruction book should be retained with the appliance for future reference. Should the appliance be sold or transferred to another owner, or should you move house and leave the appliance, always ensure that the book is left with the appliance in order that the new owner can get to know the functioning of the appliance and the relevant warnings.

These warnings are provided in the interest of safety. You must read them carefully before installing or using the appliance.

- Unplug the appliance and turn off the water after use.
- Any plumbing work required to install this appliance should be carried out by a qualified plumber or competent person.
- Any electrical work required to install this appliance should be carried out by a qualified electrician or competent person.
- This appliance is designed to be operated by adults. Children should not be allowed to tamper with the controls or play with the product.
- This product should be serviced by an authorised Zanussi Service Force Centre, and only genuine Zanussi spare parts should be used.
- It is dangerous to alter the specification or modify the product in any way.
- Care must be taken to ensure that the appliance does not stand on the electrical supply cable.
- Zanussi dishwashers are designed to be used for washing normal household utensils. Items that are contaminated by petrol, paint, steel or iron debris, corrosive, acidic or alkaline chemicals are not to be washed in a dishwasher.
- When finishing loading or unloading close the door, as an open door can be a hazard.
- If your house is fitted with a water softening unit, it is not necessary to add salt to the water softening unit in the dishwasher.
- Do not put in your dishwasher: Cutlery with wooden or horn handles or glued parts, bronze cutlery, saucepans with wooden handles unless they are sold as dishwasher proof, aluminium ware, crystal ware, leaded glass, plastic articles unless sold as dishwasher proof, antique china or fine decorated china unless sold as dishwasher proof. Always check with the manufacturer of the item if in any doubt.
- A chemical reaction can occur between silvery cutlery and stainless steel cutlery. As a precaution do not wash together.
- Under no circumstances should you open the door whilst the appliance is in operation. Always turn off the appliance before opening the door.
- Care should be taken when cleaning the bottom door seal and hinge area as any exposed metal edges may cut if care is not observed.
- Built-in dishwashers only: The appliance must be secured to the underside of the worktop using the brackets provided. Failure to do this could result in an unstable appliance which may cause damage or injury.
- Under no circumstances should you attempt to repair the appliance yourself. Repairs carried out by inexperienced persons may cause injury or more serious malfunctioning. Refer to your local Zanussi Service Force Centre. Always insist on genuine Zanussi spare parts.

INSTALLATION

Remove all packaging before positioning the machine.

Positioning

If possible, position the machine next to a water tap and a drain.

The sides and the back of the dishwasher can rest against the adjacent furniture or the wall.

The dishwasher features fill and drain hoses which can be turned either to the left or the right to suit the installation.

Levelling

Good levelling is essential for correct closure and seal of the door.

Loosen or tighten the adjustable support feet, until the machine is perfectly level (see page 22).

Water Supply Connections

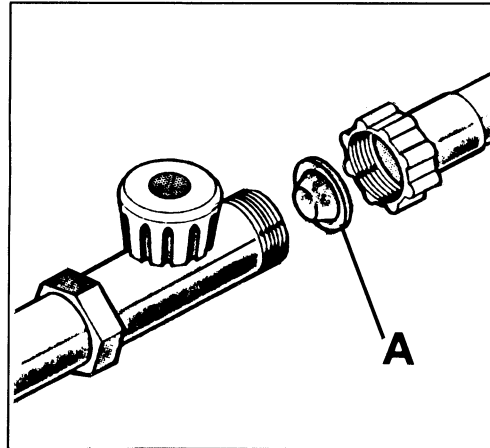
This dishwasher must be plumbed into a cold water supply and it is preferable for it to be permanently plumbed in.

The water pressure must be within the limits given in the technical specifications, as it will not function correctly if pressure is outside these specifications.

Your local Water Authority will advise you on the average mains pressure in your area. Where the water is supplied via a cold water storage cistern, you can work out the pressure yourself by measuring the vertical distance (or «head») between the machine's inlet hose and the outlet from the cold water storage cistern, allowing roughly 1 psi for every 2 feet.

As to the making of the connection itself, the coupling nut fitted to the machine's supply hose is designed to screw onto either a 3/4 inch gas thread spout, or to a purpose made quick-coupling tap such as the Press-Block.

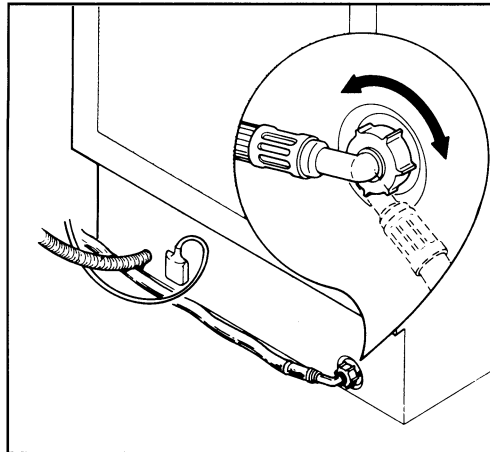
To make this easier, the hose itself may be turned to the left or the right. In either case, be sure to incorporate the strainer (A) supplied with the machine onto the joint. See picture.



Caution: the retaining ring must be correctly fitted to avoid water leaks.

Avoid bends or kinks in the hose which could prevent or slow down the flow of water.

If the machine is connected to new pipes or pipes which have not been used for a long time, you are advised to run the water for a few minutes before connecting the inlet hose. This will prevent deposits of sand or rust clogging the inlet hose filter.



Water Outlet Connection

The end of the drain hose can be connected as follows:

to the sink outlet siphon, securing it if necessary with a clip;

to a wall outlet provided with vent-hole, minimum internal diameter 4 cm.

The waste connection must be at a height of between 30 cm (minimum) and 100 cm (maximum) from the floor.

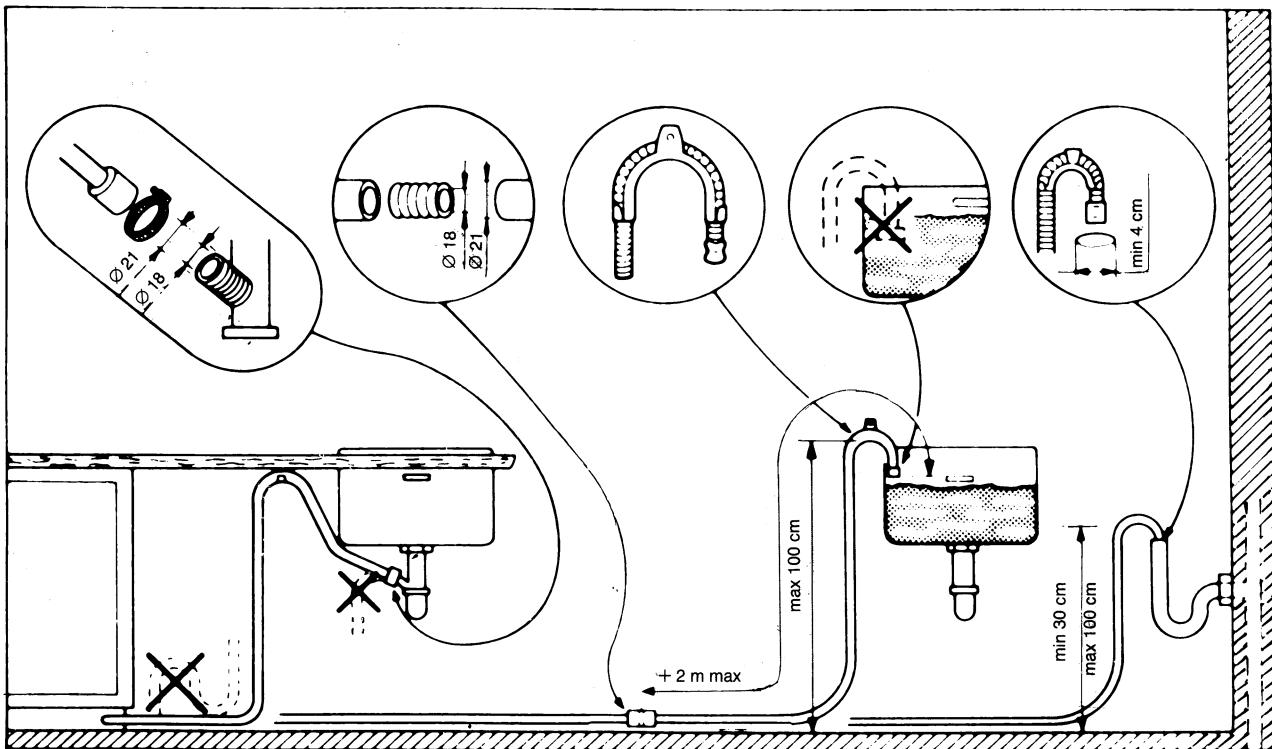
It makes no difference which way the drain hose faces either to the right or left of the dishwasher.

Avoid bending or kinking the hose as this could prevent or slow down the discharge of water.

If you use a drain hose extension it must be no longer than 2 metres and its internal diameter must be no smaller than the diameter of the hose provided.

Likewise the internal diameter of the couplings used for connection to the waste outlet must be no smaller than the diameter of the drain hose.

Note: The sink plug must not be in place when the machine is draining as this could cause the water to siphon back into the machine.



The electrical connections

WARNING: THIS APPLIANCE MUST BE EARTHED.

The manufacturer declines any liability should this safety measure not be observed.

If the plug that is fitted to your appliance is not suitable for your socket outlet, it must be cut off and the appropriate plug fitted.

Remove the fuse from the cut off plug.

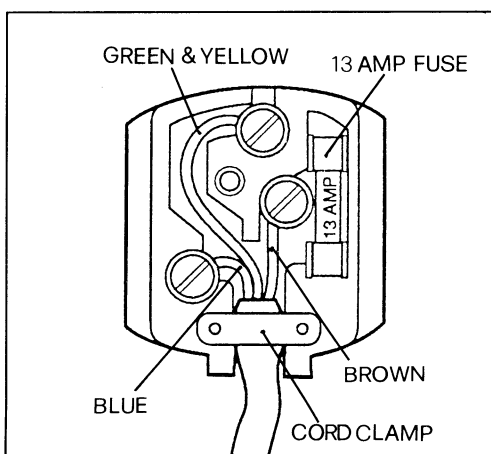
The cut off plug should then be disposed of to prevent the hazard of shocks in case it should be plugged into a 13amp socket in another part of your home.

Important

The wires in the mains lead are coloured in accordance with the following code:

Green and Yellow - Earth
Blue - Neutral
Brown - Live

If you fit your own plug, the colours of the wires in the mains lead of your appliance may not correspond with the markings identifying the terminals in your plug, proceed as follows:



Connect the Green and Yellow (earth) wire to the terminal in the plug which is marked with the letter «E» or the earth symbol \oplus , or coloured green and yellow.

Connect the blue (neutral) wire to the terminal in the plug which is marked with the letter «N» or coloured black.

Connect the brown (live) wire to the terminal in the plug which is marked with the letter «L» or coloured red.

The plug moulded onto the lead incorporates a fuse. For replacement, use a 13amp BSI362 fuse. Only ASTA or BSI approved fuses should be used.

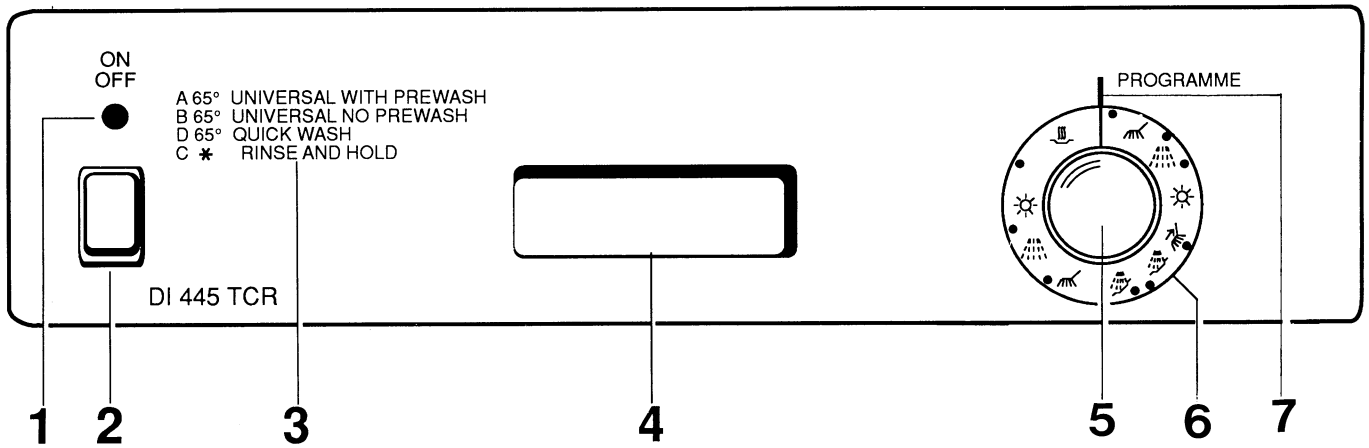
The plug must not be used if the fuse cover/carrier is lost. The cover/carrier is indicated by the coloured insert at the base of the plug.

A replacement cover/carrier must be obtained from your local Zanussi Service Force Centre whose address is listed in the Customer Care Booklet which accompanies your instruction manual.

This appliance complies with the E.E.C. Directive No. 87/308 of 2.6.87 relative to radio interference suppression.

Please ensure that when the appliance is installed it is easily accessible for the engineer in the event of a breakdown.

THE CONTROLS



1. Pilot light
2. ON/OFF Pushbutton
3. Programme guide
4. Door Handle
5. Programme Selector Dial
6. Wash Programme Phase Indicator
7. Red Programme Marker |

USING THE CONTROLS

1. Pilot Light

This comes on when the ON/OFF button (2) is depressed, indicating that the machine is on.

2. ON/OFF Pushbutton

ON

By depressing this pushbutton the machine starts operating and, at the same time, the pilot light illuminates.

OFF

When the washing programme has finished, the machine stops automatically and the pilot light (1) remains on.

To switch the pilot light off or to stop the machine at any time, press the same button again.

3. Programme Guide

This is a summary of the washing programme chart (page 16) to help you to select the correct programme.

4. Door Handle

To open the door press the catch in the top of the recess and pull the door toward you at the same time.

5. Programme Selector Dial

To select a programme, turn the Programme Selector Dial clockwise, making sure that the programme letter you wish to select corresponds with the Red Marker (7).

When the programme has finished, the Grey Marker on the Programme Selector Dial corresponds with the Red Marker (7).

6. Wash Programme Phase Indicator

During the washing programme the Programme Selector Dial turns. The Grey Marker will correspond to a symbol on the fascia indicating the function being performed.

-  Prewash
-  Main wash
-  Cold rinses
-  Warm rinse
-  Hot air drying

USING YOUR MACHINE

The Water Softener

Water contains varying amounts of lime and mineral salts depending on the area in which you live: these are deposited on the dishes leaving white marks.

The higher the content of these salts, the harder your water will be. The «hardness» level is measured on 3 equivalent scales: PPM, Clark Degrees, French Degrees.

Contact your local Water Authority to find the exact water hardness level for your area.

The dishwasher is equipped with a softener which uses special dishwasher salt to provide lime-free (softened) water. The softener can treat water hardness up to 60 french degrees via 3 adjustment levels.

Find on the table below the level corresponding to the hardness of your water and the required adjustments:

Level of water hardness	WATER HARDNESS (if in doubt contact your local Water Authority)			WATER SOFTENING	WATER HARDNESS ADJUSTMENT POSITION (refer to text below)
	PPM	Clark Degrees	French Degrees	Use of salt	On the water softener
1	0-140	0-10	0-14	NO	NO
2	150-390	11-27	15-39	YES	NO
3	400-600	28-42	40-60	YES	YES

The water softener is factory set level 2 as this suits most users.

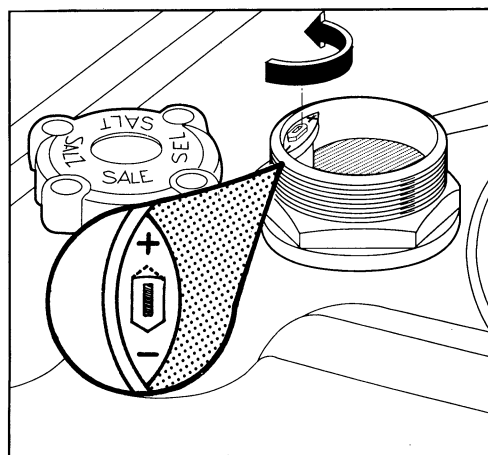
If your water is «level 1» it is already soft and therefore there is no need to use salt.

Water softener adjustment (level 3)

If your water is level 3, proceed as follows:

slide out the lower basket and unscrew the cap of the salt container;

with a screw-driver or a knife turn by 180° anti-clockwise the 2-positions selector from position — to position +.



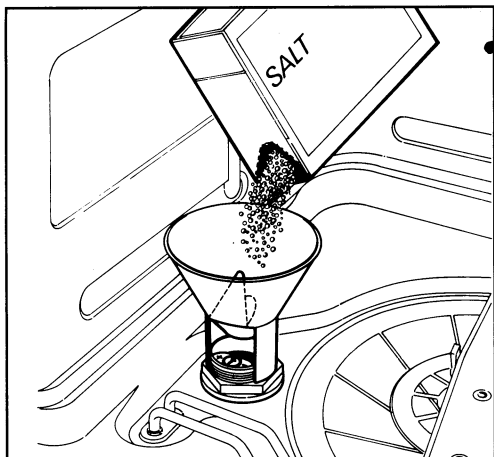
Important

Salt MUST be used regularly from level 2 upward.

Filling with Salt

Only use salt designed specifically for use in dishwashers. Other types of salt contain high percentages of other substances which may reduce the efficiency of the softener.

- Unscrew the cap of the salt container.
- Fill the container with water.
- Place approximately 1 kg of dishwasher salt inside using the funnel provided (see figure).
- Replace the cap making sure that there is no trace of salt on the screw thread or on the gasket.
- Screw the cap on tightly.



When this has been done, all you have to do is to periodically add salt to the container. You are reminded of this by the Salt Refill Indicator on the cap of the water softener.

When the green indicator disappears, the water softener needs refilling with salt.

Caution

Only fill with salt just before starting one of the complete washing programmes (not the Rinse and Hold programme). This will prevent any grains of salt or salty water, which may have been spilled, remaining on the bottom of the machine for any period of time. This could cause corrosion.

Rinse Aid

This liquid gives the dishes a shiny finish and improves drying. It is automatically added during the hot rinse. The dispenser, which is positioned inside the door, holds about 110 ml of rinse aid, which is sufficient for 16-40 dishwashing programmes, depending upon the dosage setting.

Filling with Rinse Aid

Open the container by turning the lid (A) anticlockwise.

Add rinse aid until the container is completely full (approx. 110 ml). The indicator (B) will be completely dark.

Top up with rinse aid when the indicator (B) becomes clear.

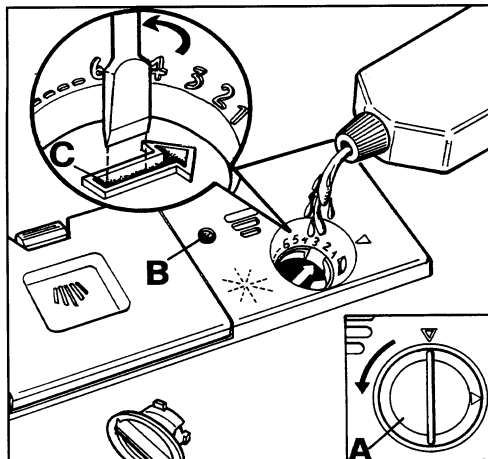
Remember to CLOSE the lid after every refill.

Caution

Clean up any rinse aid spilt during filling with an absorbent cloth to avoid excess foaming during the next wash.

Adjusting the Dose

According to the finish and drying results obtained, adjust the dose of rinse aid by means of the 6 position selector (C) (position 1 - minimum dose, position 6 - maximum dose). Gradually increase the dose if there are drops of water or lime spots on the dishes after washing. Reduce it if there are sticky whitish streaks on the dishes.



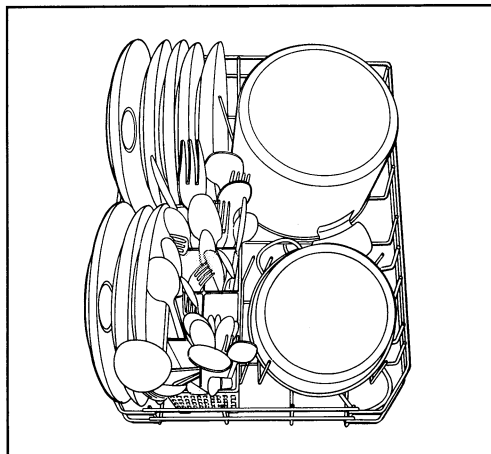
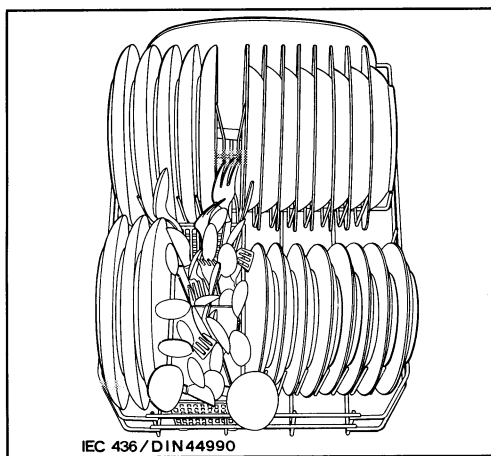
Loading your Machine

Before placing the dishes in the machine, remove the large scraps of food from the plates (small bones, toothpicks, fish bones, scraps of meat and vegetables, fruit skins etc.) to avoid clogging the filters and consequently reducing the performance.

Open the door and slide out the baskets to load the dishes.

Use of the Lower Basket

- The lower basket is designed to take saucepans, lids, plates (up to 27 cm in diameter), salad bowls, cutlery etc.
- Serving dishes and large lids should be arranged around the edge of the basket, ensuring that the upper spray arm can turn freely.



- Cutlery should be placed in the removable cutlery basket with the handles facing downwards. If the handles protrude from the bottom of the basket, obstructing the lower spray arm, load the cutlery with the handles facing upward.

- Mix spoons with the other cutlery to prevent them sticking together.

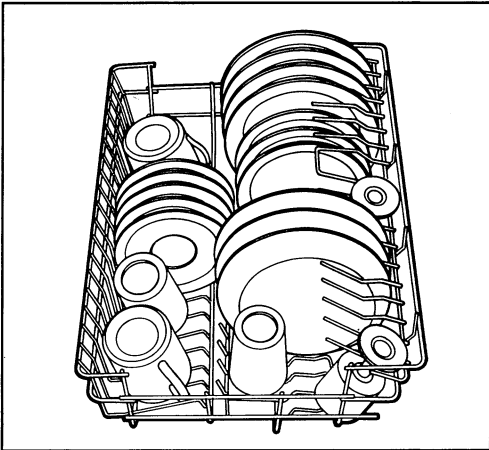
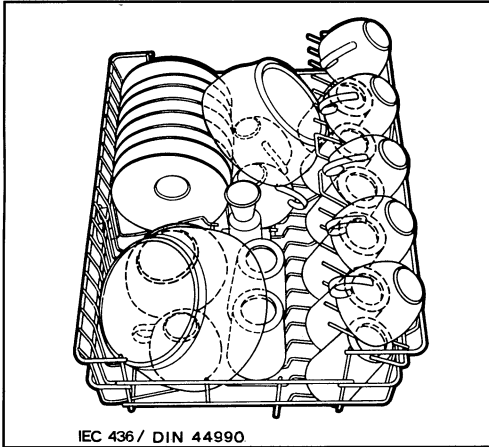
Note:

Some models are not provided with a handle for the cutlery basket.

Use of the Upper Basket

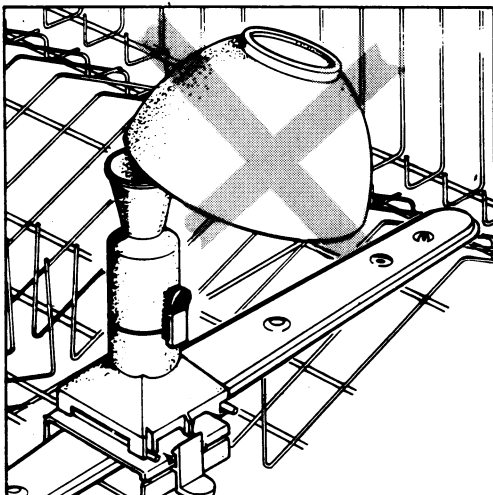
The upper basket is designed for plates (dessert plates, saucers, dinner plates up to 24.6 cm in diameter), salad bowls, cups and glasses; these should be arranged as shown in the pictures.

Glasses with long stems can be placed upside-down in the raised cup-racks.



Caution

When loading the dishes, ensure that you do not cover the water inlet funnel in the middle of the upper basket.

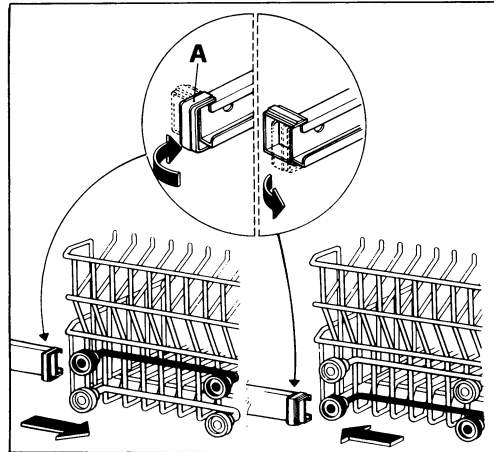


Before closing the door, ensure that the spray arms can rotate freely.

Adjusting the Height of the Upper Basket

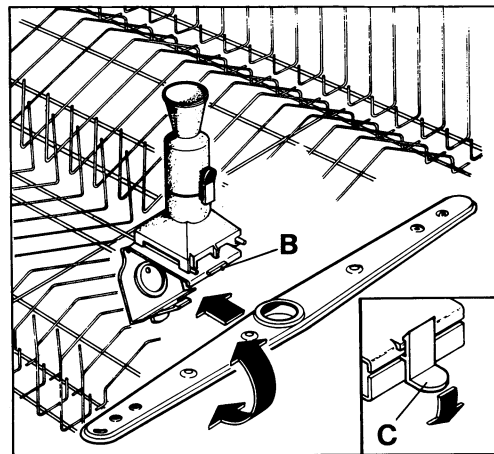
If washing very large plates (over 27 cm and up to 31 cm in diameter) you can load them in the lower basket after moving the upper basket to the higher position as follows:

- Move the front runner stops (A) of the upper basket outward and slide the basket out.
- Refit the basket in the higher position and replace the stops (A) in the original position.
- When the top basket is in the higher position it will only take plates up to 20 cm in diameter and you will not be able to use the raised cup-racks.



Reversible Spray Arm

If a small load of heavily soiled Crockery is to be washed, this can be placed only into the bottom basket. At the same time the upper spray arm position should be reversed as per following figure.



To do so, unhook the upper spray arm from the central support (B) by pressing the clip (C) and refit it in a reverse position (holes on the bottom). In this way the wash efficiency is improved, as the bottom basket is sprayed by both arms.

When the wash is completed, do remember to reset the upper arm to the original position (holes on top).

Helpful Hints

This dishwasher offers a wide range of washing programmes depending on how soiled your dishes are and the type of crockery to be washed.

Refer to the programme chart on the following pages to select the most suitable programme.

For Best Washing Results:

- Before loading, remove all the scraps of food and soak very heavily soiled pots and pans.
- Always arrange saucepans, cups and glasses etc. upside-down.
- Tilt items with convex or concave surfaces so that the water drains off easily.
- Long items of cutlery such as ladles, carving knives etc. should be positioned horizontally in the upper basket.
- Avoid contact between the dishes as far as possible; correct arrangement of the items will give better washing results.
- Light items (plastic bowls etc.) should be loaded in the upper basket and arranged so that they do not move during washing.

To Save Energy

- Do not prewash the dishes under running water.
- Place the dishes in the machine immediately after every meal and wait until the dishwasher is full before washing.
- If necessary run the Rinse and Hold programme (see Programme Chart on the following pages), so that any food scraps do not become caked on the dishes while you are waiting to run the complete wash programme.
- Care must be taken when opening the door, as steam will escape.

Items not Suitable for Dishwasher

The following should not be washed in the dishwasher:

- Cutlery or dishes with wooden or horn handles or glued parts.
- Handmade items, wooden objects, antiques or hand-painted china.
- Certain types of decoration can discolour when washed in a dishwasher.
- Crystal ware and plastic objects, if not guaranteed dishwasher-proof, should be washed by hand. You are advised to place them in the upper basket and to select a delicate programme.
- Certain types of glass can also become opaque after being washed several times in a dishwasher.
- Silver cutlery tends to go black if mixed with steel cutlery. Place it in the cutlery basket separate from the others.
- Iron and cast iron objects can rust and stain the other items.
- Aluminium tends to go black; copper, pewter and brass tend to stain.

Caution: You are advised not to load very small items which can fall through the baskets.

Note: When buying new dishes, ensure that they are dishwasher-proof.

Use of Detergent

Before beginning any of the dishwashing programmes, except for the rinse and hold programme, load the detergent in the dispenser.

Use only tablets, powder or liquid detergents specifically designed for domestic dishwashers.

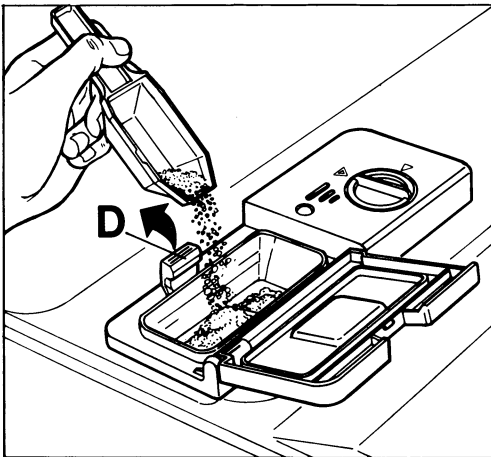
Unsuitable detergents (such as those for washing by hand) do not contain the right ingredients for machine washing and hamper correct functioning of the machine.

To open the dispenser lid, pull the catch (D). This will open it.

At the end of any washing programme the lid is always open, ready for the next wash.

The amount of the detergent to be used varies depending on how soiled the dishes are and the type of dishes being washed. We recommend the amounts shown in the programme chart.

After filling the dispenser with detergent, close the lid.







Since not all the detergents are the same, you should also consult the instructions on the packet.

Remember that insufficient quantities of detergent will produce poor washing results whereas an excessive amount of detergent does not improve washing results and is also wasteful.

Using no more than the correct amount of detergent also contributes to reducing pollution.

Zanussi recommends the use of Finish dishwasher detergent.

WASHING PROGRAMMES

Pro-gramme	Type of load and degree of soil	Recommended programme	Programme knob setting	Required pushbutton	Cycle description	Recommended quantity of detergent
1*	Normally soiled crockery, pots, pans and cutlery, with a normal quantity of food scraps	Universal with prewash	A		Cold prewash Main wash up to 65°C 1 cold rinse 1 hot rinse Hot air drying	2 level dessert spoons (20 g)
2	Normally soiled crockery, pots, pans and cutlery, with a reduced quantity of food scraps	Universal no prewash	B		Main wash up to 65°C 1 cold rinse 1 hot rinse Hot air drying	2 level dessert spoons (20 g)
3**	Lightly soiled crockery	Quick wash	D		Main wash up to 65°C 2 cold rinses	1 heaped dessert spoon (15 g)
4	Partial load (to be completed later in the day)	Rinse & hold	C		Cold rinse to prevent food scraps from drying up and sticking to the dishes	—

* This programme is equivalent to IEC436 standard.

** This is a special programme to wash in a short time (approx. 28 minutes) a full load of lightly soiled dishes, glasses and crockery (except pots) so that you may re-use them promptly. Due to the shortness of this programme, no drying phase is provided.

Washing Example

Washing a mixed load of saucepans and dishes using the «Universal with prewash» programme.

Below is an example of how to set and start a washing programme, listing in order everything to be remembered daily.

1) Check that the filters are clean (see next page for cleaning instructions)

2) Check that there is salt and rinse aid.

3) Load the dishes

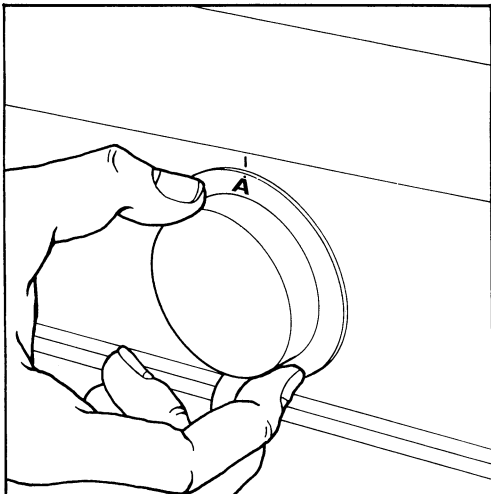
- Remove the larger scraps of food.
- Pull the lower basket out and arrange the saucepans, plates and cutlery in it.
- Pull the upper basket out and arrange the plates, saucers, glasses and cups etc. in it.
- Slide the baskets back into the machine.
- Ensure that the spray arms can rotate freely.

4) Measure out detergent

- Pour two level dessertspoonfuls (20 g) of detergent into the dispenser and close the lid.
- Close the dishwasher door.

5) Set the programme

Turn the Programme Selector Dial clockwise until the letter «A» of the «Universal with Prewash» programme corresponds with the Red Marker (7) on the control panel.



6) Start the programme up

Depress ON/OFF pushbutton (2). The pilot light (1) will come on and the machine will start.

If you wish to interrupt the wash at any time press button (2) again.

To restart the machine, depress the same button again and the programme will continue from the point where it was interrupted.

7) At the end of the washing programme the Grey Marker on the Programme Selector Dial will correspond with the Red Marker (7).

The machine will stop and the pilot light (1) remains on until ON/OFF button (2) is depressed.

- Turn off the water tap.
- Open the door and wait a few minutes before removing the dishes; in this way you will avoid burning your fingers and the drying will be improved.
- Empty the lower basket first and then the upper one; this will avoid water dripping from the upper basket onto the dishes in the lower one.

Caution

In general it is not advisable to open the door while the machine is working; if the door is opened however, a safety device ensures that the machine stops.

If you have to open the door while the machine is working, always switch off the appliance first by pressing the ON/OFF button (2).

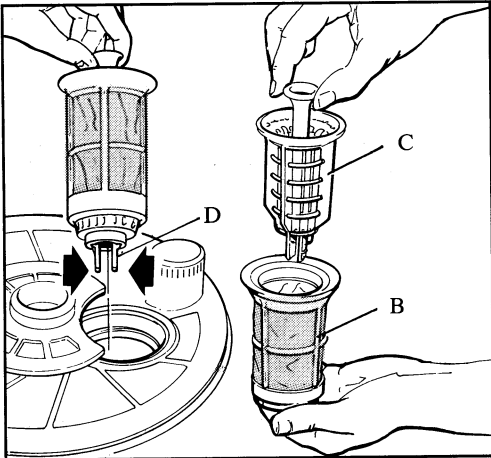
Care must be taken if opening the door, as steam will escape.

MAINTENANCE AND CLEANING

1. After Each Wash

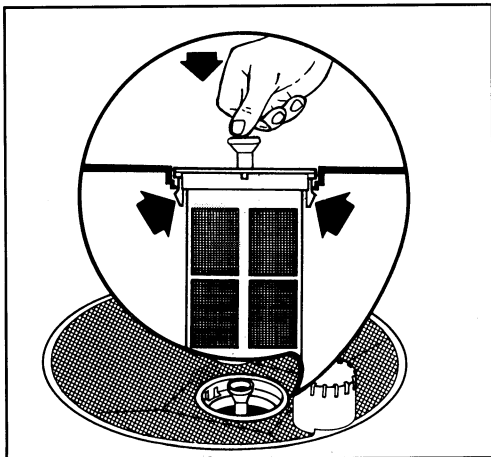
Cleaning the central filter

Inspect the central filters B and C and remove any scraps of food with a brush under running water.



The filters B and C are both removed by lifting up the outer one B (pulling the central funnel upwards); the smaller filter C can then be removed by pressing the two tongues D.

Once cleaned, refit the filters by pressing them down until they click into place.



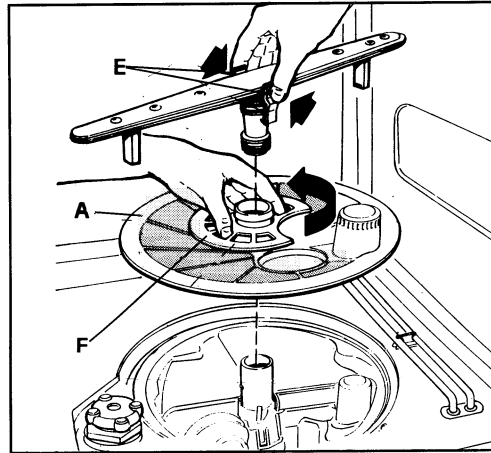
2. Once a Month

Cleaning the large filter

Clean the large filter A on both sides under running water using a brush.

To take it out, remove the spray arm by pressing the two tongues E, turn the ring F anti-clockwise (towards the left) and then slide the whole part out.

Refit the filter following the above instructions in reverse order.



Caution: the dishwasher must not be used without the filters.

Incorrect repositioning of the filters will produce poor washing results.

Cleaning of the filters is vital to ensure correct operation of the machine.

Internal and External Cleaning

- You must ensure that the seals around the door, the detergent and rinse aid dispenser are cleaned regularly with a damp cloth.
- We recommend the use of Finish Dishwasher Cleaner every 3 months, or run a wash programme without dishes using detergent.
- Check that the spray arm nozzles are not obstructed.
To remove the bottom spray arm release it from its securing catches and pull it out. To clean the nozzles of the top spray arm, slide out the top basket. then unhook the spray arm from its central support.
- Clean the external surfaces of the machine and control panel with a soft damp cloth. If necessary use only neutral detergents. Never use abrasive products, scouring pads or solvents (acetone, trichloroethylene etc...).

Prolonged Periods of Non-Operation

If you are not using the machine for any period of time you are advised to:

- unplug the appliance and turn off the water;
- fill the rinse aid dispenser;
- leave the door ajar to prevent the formation of unpleasant smells;
- leave the inside of the machine clean.

The Dangers of Freezing

If the machine is exposed to temperatures below 0°C the water left in the pipes can freeze. You should ensure that the room temperature is above 0°C before starting a wash programme.

Moving the Machine

If you have to move the machine (you are moving house etc...):

- unplug it;
- turn off the water tap;
- remove the water inlet and discharge hoses;
- pull the machine out together with the hoses.

Caution: avoid overtilting the machine during transport.

SERVICING

Certain problems are due to lack of simple maintenance or oversights and can be solved easily without having to call the Servicing Department.

■ PROBLEM	● CAUSE	▶ SOLUTION
■ THE MACHINE DOES NOT START	● The door has not been properly closed	▶ Close the door
	● The plug is not properly inserted in the power socket	▶ Insert the plug into the socket
	● There is no current at the socket	▶ Check the fuse
■ THE MACHINE DOES NOT LOAD WATER	● The water tap is off	▶ Turn the tap on
	● The water supply has been cut off	▶ Wait for it to be restored
	● The inlet hose is bent	▶ Straighten out the bend
	● The water inlet hose filter is clogged	▶ Clean the filter at the end of the inlet hose
■ THE MACHINE DOES NOT DRAIN WATER	● The drain hose is bent	▶ Straighten out the bend
	● The sink drain is blocked	▶ Free the pipe or call a plumber
	● The drain hose extension is not correct	▶ Follow the instructions for connecting to the waste carefully
	● The wall drain has no vent-hole	▶ Consult a qualified technician
■ THE DISHES ARE NOT CLEAN (poor wash)	● The baskets are too full	▶ See instructions for loading the dishes
	● The dishes have not been arranged properly	▶ Do not pack the dishes too tightly. See instructions for loading the dishes.
	● The spray arms do not rotate	▶ Check before beginning the wash that the dishes are not obstructing the spray arms
	● The spray arm holes are clogged	▶ Clean the holes
	● The water inlet funnel in the centre of the upper basket is covered by dishes	▶ Arrange the dishes so that they do not cover the funnel
	● The end of the drain hose is submerged in waste water (in the sink)	▶ The end of the drain hose must not touch the waste water
	● The filters are clogged	▶ Clean the filters

■ PROBLEM	● CAUSE	▶ SOLUTION
■ THE DISHES ARE NOT CLEAN	● The filters are not in position	▶ Fit them correctly
	● Not enough detergent has been used or it is unsuitable	▶ Increase the dose according to how soiled the load is or change the detergent
	● The detergent is old or has gone hard	▶ Change the detergent
	● The salt container cap is not properly closed	▶ Screw the cap on
	● The washing programme selected is too gentle	▶ Select a more energetic programme
■ VISIBLE LIME DEPOSITS OR WHITE FILM ON THE DISHES	● There is no salt or the softener has not been adjusted to the hardness of the water	▶ Add salt or adjust the softener
	● The rinse aid has run out or too little is being used	▶ Add rinse aid or increase the dose
■ TRACES OF COFFEE, TEA OR LIPSTICK HAVE BEEN LEFT ON THE DISHES	● The detergent is old or of poor quality or the dose is insufficient	▶ Change the detergent or increase the dose
■ THE MACHINE IS NOISY	● The dishes are rattling against each other	▶ Arrange them correctly in the baskets
	● The spray arms are rotating against the dishes	▶ Arrange the dishes correctly
■ THE DISHES ARE NOT PERFECTLY DRY	● The dishes have been left too long inside the machine	▶ Leave the door ajar at the end of the programme

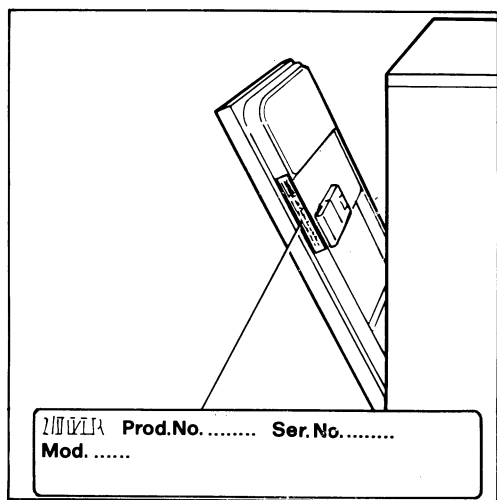
If, after the above checks, there is still a fault, call your nearest Zanussi Service Centre, whose address and telephone number can be found on the following pages.

Please make sure you give the model and serial number of the appliance. This information can be found on the rating plate (see picture), or on the guarantee certificate.

Original spare parts can be purchased from Zanussi Service Force Centres.

In guarantee customers should ensure that the above checks have been made as the engineer will make a charge if the fault is not a mechanical or electrical breakdown.

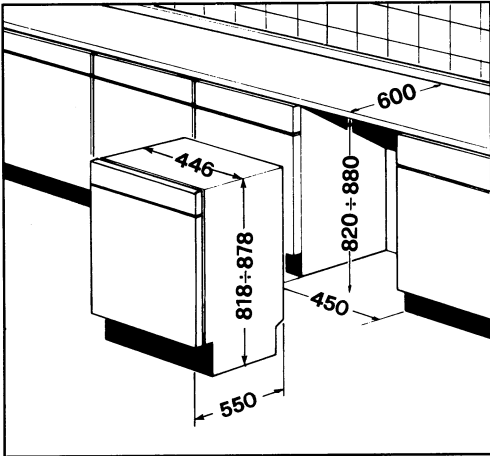
Please note that proof of purchase is required for any guarantee service calls.



BUILDING-IN

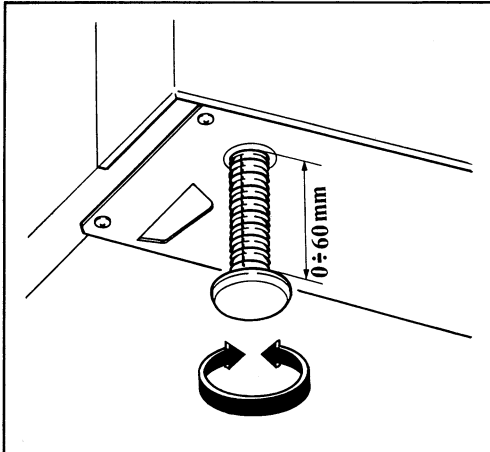
This dishwasher is designed to be fitted under a kitchen counter or sink.

In either case, it is essential that the recess dimensions indicated in the picture are followed.



The recess ceiling may be anywhere between 820 and 880 mm from the floor inasmuch as the dishwasher incorporates levelling feet adjustable over a wide range (max 60 mm).

To adjust the height of the appliance simply unscrew the feet.



No special openings or systems are required to permit ventilation of the machine, but only to let the electric supply cable and the water fill and drain hoses through.

When building the machine into a kitchen unit, make sure that these water fill and drain hoses are not bent or kinked.

The back of the machine may rest directly against the rear wall of the recess.

Important:

When the dishwasher is secured to the kitchen cabinets, be sure not to drill any holes into the sides of the machine to avoid damaging the hydraulic components located between the wash tub and the cabinet.

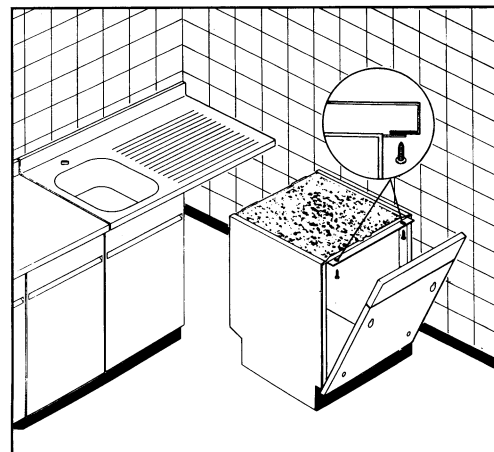
It is absolutely essential that the appliance is disconnected from the electricity supply before gaining access to any internal component.

Fitting and securing under a counter (kitchen sink or counter)

To fit the dishwasher under a kitchen sink or counter proceed as follows:

insert the appliance under the sink after correctly adjusting its height and levelling it as required by means of its adjustable levelling feet;

secure the appliance to the kitchen unit by means of two screws (see picture).



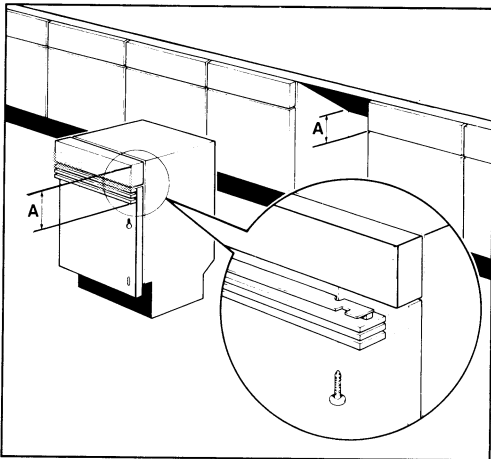
Instructions for fitting the panel onto the door

The door which comes with this model is designed for the overlay of a 2 cm thick wooden panel.

Furthermore, it is possible to line up the control panel to correspond with the height of the drawers of the adjacent pieces of furniture, thus perfectly co-ordinating with the style of the rest of the unit furniture in your kitchen.

Preparation of the wooden panel

Establish the height ("A") of the furniture's drawers. If this is higher than 120 mm, add one or more of the fillets provided until you reach the same height.

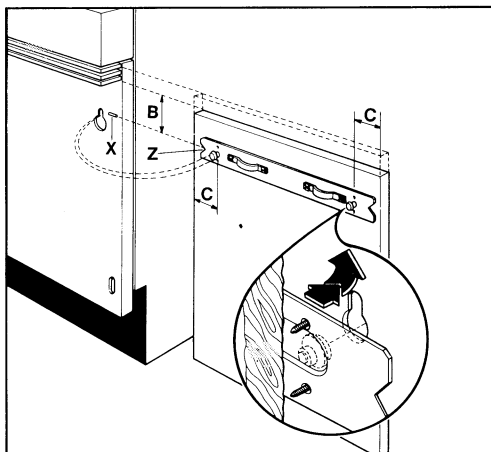


Measure the distance ("B") between the part below the control panel or fillets and the reference notch ("X") on the door.

Measure the same distance ("B") on the wooden panel starting from the upper edge. At this distance position the supporting cross-bar provided, in correspondence with the reference ("Z").

Keep the same distance ("C") between the centre of the support's fastening holes and the lateral edges of the wooden panel.

Finally, fix the supporting cross-bar onto the wooden panel with the screws provided, through the four fixing holes.



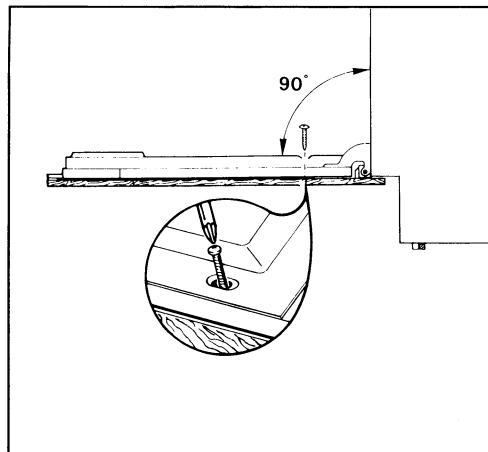
Mounting of decor panel onto door

Mount the decor panel by inserting the pivots into the slotted holes of the door.

Lift the decor panel until the perfect alignment with the facia panel is obtained.

Once the correct position has been found, open the door and fasten the panel by means of the long screws provided using the slotted holes of the inner door.

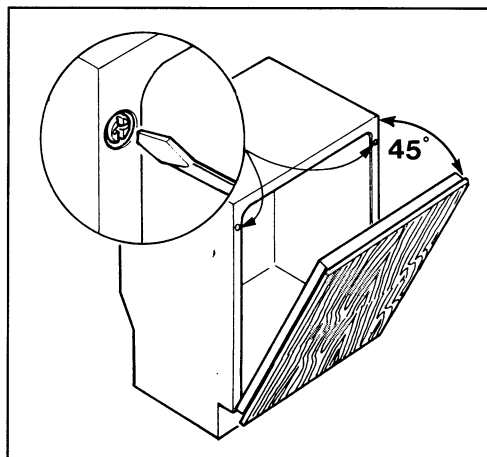
To secure the panel onto the door use the template supplied with the appliance.



Adjusting the door balance

Fitting the decor panel may sometimes affect the door balance due to the different load placed on the same. In this case it will be necessary to adjust the balance as follows:

Open the door at 45°, remove the plugs and regulate the screws located on the front side of the appliance. By screwing or unscrewing of the same amount these screws, the tension of the door balancing springs is increased or decreased respectively. Refit the plugs.



PEACE OF MIND FOR TWENTYFOUR MONTHS

Zanussi guarantee conditions

This guarantee is in addition to your statutory and other legal rights which will not be excluded or in any way diminished by the return of this guarantee card.

We, Zanussi Ltd., undertake that if, within twentyfour months of the date of the purchase, this ZANUSSI appliance or any part thereof is proved to be defective by reason only of faulty workmanship or materials, the company will, at its option, repair or replace the same **FREE OF ANY CHARGE** for labour, materials or carriage on condition that:

- * The appliance has been correctly installed and used only on the electricity supply stated on the rating plate.
- * The appliance has been used for normal domestic purposes only, and in accordance with the manufacturer's operating and maintenance instructions.
- * The appliance has not been serviced, maintained, repaired, taken apart or tampered with by any person not authorised by us.
- * The appliance is still in the possession of the original purchaser.

All service work under this guarantee must be undertaken by a Zanussi Service Centre.

Home visits are made between **8.30am** and **5.30pm** Monday to Friday. Visits may be available outside these hours in which case a **premium** will be charged.

Any appliance or defective part replaced shall become the property of this company.

Exclusions

This guarantee does not cover:

- * Damage or calls resulting from transportation, improper use or neglect, the replacement of any light bulbs or removable parts of glass or plastic.
- * Costs incurred for calls to put right machines improperly installed or calls to machines outside the United Kingdom.
- * Appliances found to be in use within a commercial environment, plus those which are the subject of rental agreements.
- * Products of Zanussi manufacture which are NOT marketed by Zanussi Ltd.
- * EEC Countries - The standard guarantee is applicable but is subject to the owner's responsibility and cost to ensure the appliance meets the standards set by the country to which the product is taken. The Zanussi Company in the country concerned will be pleased to advise further. Sight of your purchase receipt will be required by them.

Stampato su carta ecologica
(prodotto senza cloro)



Printed in Italy