



Integrated Washing Machine Instruction Manual

WMI3001 / WMI3006




Contact Caple on 0117 938 7420 for spare parts or www.caple.co.uk

CONTENTS

Warnings	3
Environmental Protection	9
Technical Fiche	9
Warranty	9
Product Overview	10
Installation	11
Built In Installation	15
Operation	20
Detergent Drawer	22
Quick User Guide	23
Control Panel	34
Programmes	30
Table Of Programmes	32
Cleaning And Maintenance	34
Troubleshooting	38
Product Specifications	41
Caple Contact Details	44

Keep these instructions for use with the appliance. If the appliance should be sold or passed on to others, make sure that the instructions are passed on with it. We thank you for taking note of these suggestions before installing and using the appliance. They have been written for your personal safety and the safety of others.

 CAUTION: HOT SURFACE

 CAUTION: RISK OF FIRE

WARNINGS

- If the supply cord is damaged, it must be replaced by the manufacturer, its service agent or similarly qualified persons in order to avoid a hazard.
- The new hose-sets supplied with the appliance are to be used and old hose-sets should not be reused.
- This washing machine is for indoor use only.
- This appliance can be used by children aged from 8 years and above and persons with reduced physical, sensory or mental capabilities or lack of experience and knowledge if they have been given supervision or instruction concerning use of the appliance in a safe way and understand the hazards involved.
- Children shall not play with the appliance. Cleaning and user maintenance shall not be made by children without supervision.
- Children should be supervised to ensure that they do not play with the appliance.

- Children of less than 3 years should be kept away unless continuously supervised.
- If the supply cord is damaged, it must be replaced by a special cord or assembly available from the manufacturer or its service agent.
- Only use the hose-sets supplied with the appliance for the water supply connection (do not reuse old hose-sets).
- Water pressure must be between 0.05 MPa and 1 MPa.
- Make sure carpets or rugs do not obstruct the base or any of the ventilation openings.
- After installation, the appliance must be positioned so that the plug is accessible.
- The maximum load capacity of dry clothes depends on the model used (see control panel).
- To consult the product technical specification please refer to the manufacturer website.
- This appliance is not intended for use by persons (including children) with reduced physical, sensory or mental capabilities, or lack of experience and knowledge, unless they have been given supervision or instruction concerning use of the appliance by a person responsible for their safety.
- Pull out its plug from the power socket and turn off the water tap before cleaning or maintenance.
- Make sure that all pockets are emptied.


- Sharp and rigid items such as coins, nails, screws or stone etc may cause serious damages to this machine.
- Pull out its plug and cut off water supply after the operation.
- Please check whether the water inside the drum has been drained before opening its door. Please do not open the door if there is any water visible.
- Animals and children may climb into the machine. Check the machine before every operation.
- Take care that power voltage and frequency shall be identical to those of washing machine.
- Do not use any socket with rated current less than that of washing machine.
- Never pull out power plug with wet hands.
- Do not pull on the power cord or appliance to unplug the machine.
- To ensure your safety, the power cord plug must be inserted into an earthed three-pole socket. Check carefully and make sure that your socket is properly and reliably earthed.
- Packing materials may be dangerous to children. Please keep all packing materials (plastic bags, foams etc) far away.
- Washing machines shall not be installed in bathrooms or wet rooms as well as in the rooms with explosive or caustic gases.


- The water and electrical connections must be connected by a qualified engineer in accordance with the manufacturer's instructions and local safety regulations.
- Before operating this machine, all packages and transport bolts must be removed. Otherwise the washing machine may be seriously damaged while washing the clothes.
- This appliance is intended to be used in household and similar applications such as:
 - › Staff kitchen areas in shops, offices and other working environments.
 - › Farm Houses.
 - › By clients in hotels, motels and other residential type environments.
 - › Bed and breakfast type environments.
- Before using the machine for the first time, the washing machine shall be operated in one round of the whole procedures without clothes inside.
- Before using the machine for the first time, the product shall be calibrated.
- Your washing machine is only for home use and is only designed for the textiles suitable for machine washing.
- Flammable and explosive or toxic solvents are forbidden. Gasoline and alcohol etc shall not be used as detergents. Please only select the detergents suitable for machine washing.

- Do not wash carpets in this washing machine.
- Be careful of burning when washing machine drains hot washing water.
- Never refill the water by hand during washing.
- Please remember to disconnect water and power supply immediately after the clothes are washed.
- Do not climb up and sit on top cover of the machine.
- Do not lean against machine door.
- Please do not close the door with excessive force. If it is found difficult to close the door, please check if the excessive clothes are put in or distributed well.
- Transport bolts shall be reinstalled to the machine by a competent person.
- The accumulated water shall be drained out of the machine.
- Handle the machine carefully. Never hold any protruded part on the machine while lifting. Machine door cannot be used as the handle during the conveyance. During transport, never rest the door on the trolley. Two people are recommended to lift the washing machine.
- Do not expose the washing machine to rain, direct sunlight or other weather elements. Protect from possible freezing.
- The use of converters, multiple sockets or extension cords is strongly advised against.

- In the event of fault and / or malfunction, turn off the washing machine, close the water tap and do not tamper with the appliance. Immediately contact Caple service and only use original spare parts. Failure to observe these instructions may jeopardise appliance safety.

Explanation of the symbols:

 **WARNING:** This combination of symbol and signal word indicates a potentially dangerous situation which may result in death or serious injuries unless it's avoided.

 **CAUTION:** This combination of symbol and signal word indicates a potentially dangerous situation which may result in slight or minor injuries or damage to property and the environment.



ENVIRONMENTAL PROTECTION

Waste electrical products should not be disposed of with household waste. Please recycle where facilities exist. Check with your Local Authority or retailer for recycling advice. This appliance is marked according to the European Directive on Waste Electrical and Electronic Equipment (WEEE).

By ensuring this product is disposed of correctly, you will help prevent potential negative consequences for the environment and human health, which could otherwise be caused by inappropriate waste handling of this product. The symbol on the product indicates that this product may not be treated as household waste. Instead it shall be handed over to the applicable collection point for the recycling of electrical and electronic equipment. Disposal must be carried out in accordance with local environmental regulations for waste disposal.

For more detailed information about treatment, recovery and recycling of this product, please contact your local council, your household waste disposal service or the retailer where you purchased the product.

CE DECLARATIONS OF CONFORMITY

This appliance has been manufactured to the strictest standards and complies with all applicable legislation, Low Voltage Directive (LVD) and Electromagnetic Compatibility (EMC).

UKCA DECLARATIONS OF CONFORMITY

This appliance has been manufactured to the strictest standards and complies with all applicable legislation.

TECHNICAL FICHE

This appliance conforms to all current and applicable energy regulations. To view the Technical Fiche that supports the energy labelling data, please visit the product page on our website www.caple.co.uk

WARRANTY

Your new appliance is covered by warranty. The warranty card is enclosed - if it is missing, you must provide the following information to your retailer in order to receive a replacement: date of purchase, model and serial number (placed on the inside of the appliance storage drawer). Registration can also be completed online by visiting www.caple.co.uk.

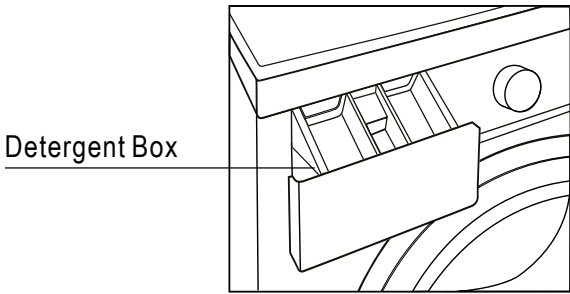
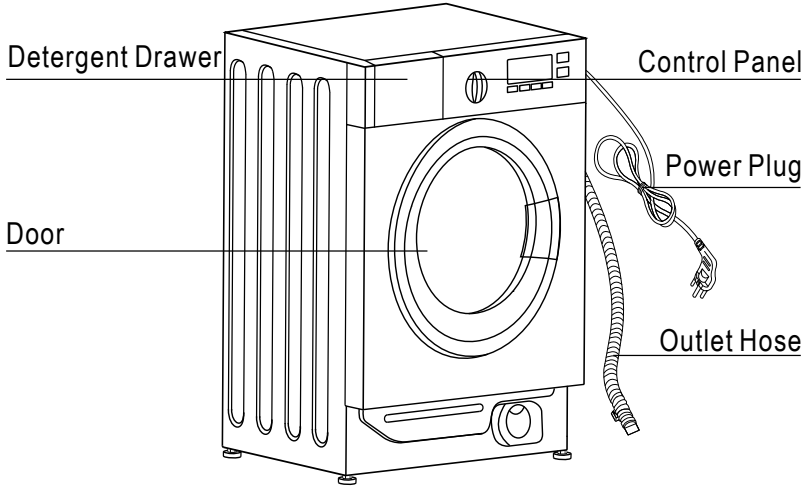
Ensure you keep your warranty card safe, you may need to show it to Caple Service together with proof of purchase.

If you fail to show your warranty card you will incur all repair charges.

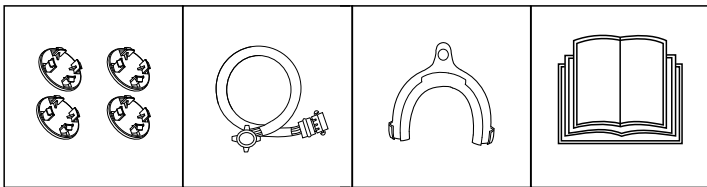
Spare parts are only available from Caple Service and spare parts authorised centres.

OVERVIEW OF WASHING MACHINE

COMPONENT



ACCESSORIES



Transport hole plug

Supply hose cold water

Drain hose support

Owner's manual

INSTALLATION

UNPACKING THE WASHER MACHINE

Unpack your washing machine and check if there is any damage during the transportation. Also make sure that all the items (as shown on page 10) in the attached bag are received. If there is any damage to the washing machine during the transportation, or any item is missing, please contact your retailer immediately.

DISPOSE OF THE PACKING MATERIALS



WARNING

Keep packaging materials away from children.

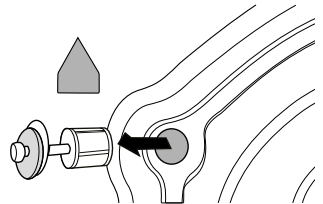
The packing materials of this machine may be dangerous to children. Please dispose of them properly. Please dispose of the related packing materials according to the relevant local regulations. Please do not throw the packing materials away together with the other daily living disposals.

REMOVE TRANSPORT BOLTS



WARNING

- › You must remove the transport bolts from the backside before using the product.
- › You'll need the transport bolts again if you move the product, so make sure you keep them in a safe place.



Please take the following steps to remove the bolts:

1. Loosen all bolts with spanner and then remove along with the flat washers, rubber bungs and plastic spacer tubes.
2. Cover the open transportation bolt holes with the plastic cap included in the instruction bag.
3. Keep the transport bolts, flat washers, rubber bungs and plastic spacer tubes stored away safely for future use.

NOTE

During the removal of the bolts, spacer tubes fall inside the product. These can be removed by tilting the product forward and recovering them from the floor or inside the base of the machine.

SELECT THE LOCATION

WARNING

- › Stability is important to prevent the product from moving.
- › Make sure that the product does not stand on the power cord.

The washing machine must be placed in a location according to the below:

- › Rigid, dry, and level surface (if not level, please make it level with reference to the following figure "Adjust Legs")
- › Avoid direct sunlight
- › Sufficient ventilation
- › Room temperature is above 0°C
- › Keep far away from heat resources.
- › Do not install the washing machine on carpeted floor.

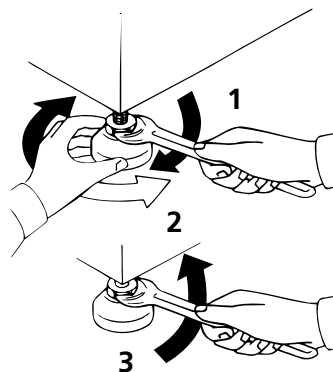
ADJUST LEGS

WARNING

The lock nuts on all four feet must be screwed tightly against the housing.

Level the appliance using the feet:

1. Turn the nut clockwise to release the screw.
2. Rotate the foot to raise or lower it until it touches to the floor.
3. Lock the foot, screwing in the nut, until it tightens against to the bottom of the washing machine.



Check the washing machine is steady using a spirit level or by pressing the four corners on top of the appliance in sequence.

NOTE: The 4 legs allow the height of the washing machine to be adjusted from 825mm to a maximum of 835mm.

CONNECT INLET PIPE

WARNING

- › To prevent leakage or water damage, follow the instructions in this chapter.
 - › Do not kink, crush, modify or sever water inlet hose. The washing machine should be installed in its final position such that the inlet pipe is not trapped.
1. Connect the inlet pipe to the water supply tap. Only use the pipe supplied with the appliance (do not reuse old pipe-sets).
 2. Connect the other end of the inlet pipe to the inlet valve at the back of the washing machine and fasten the pipe tightly clockwise.

NOTE:

If there is any leakage with the hose, repeat these steps to connect the inlet hose.

CONNECT OUTLET HOSE

WARNING

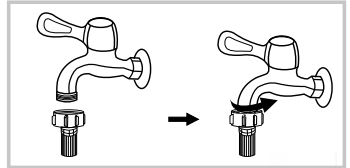
- › Do not kink or trap the drain hose.
- › Position drain hose properly, otherwise damage might result of water leakage.
- › When installing drain hose, fix it properly.
- › If drain hose is too long, do not force it into the washing machine as it will cause abnormal noises.

The drain hose should be inserted into suitable drain pipe of between 60cm and 100cm height above the floor using the curved drain hose support.

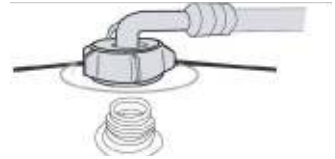
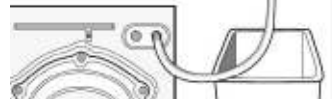
The drain hose can be connected in three different ways:

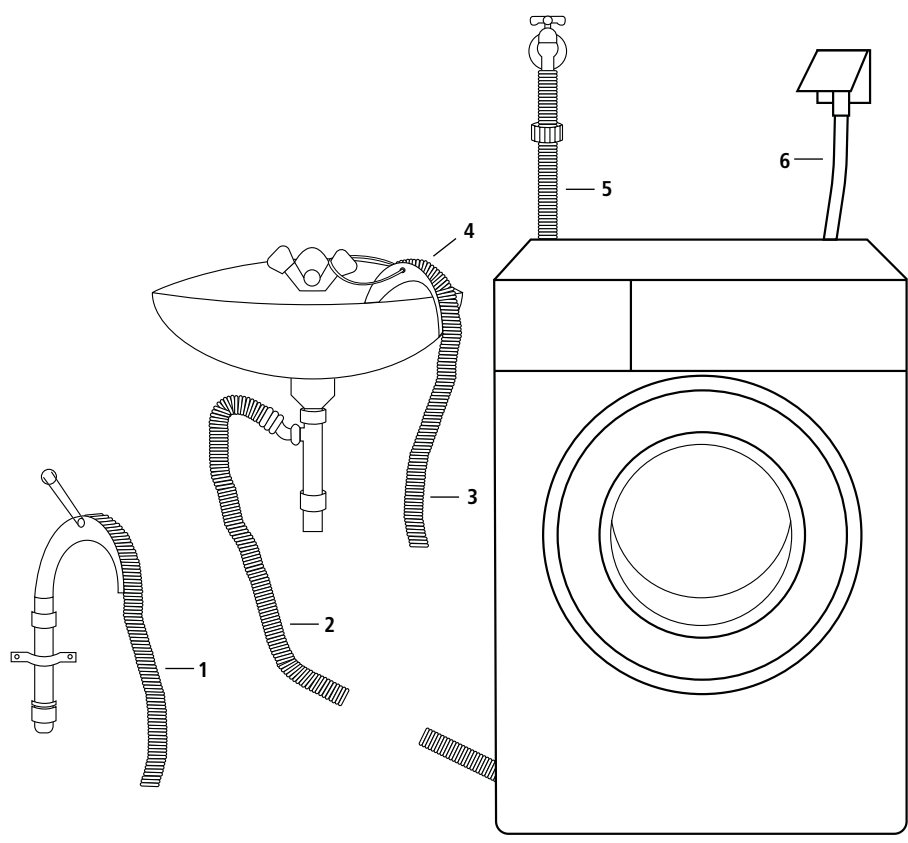
1. Connect it to a drain pipe
2. Attach it to a sink
3. Connect it to the sink drain pipe

2. Connection between screw tap and inlet



Tap with threads and inlet hose





- 1. Drain Hose connection to Drain Pipe
- 2. Drain Hose connection to Sink Drain Pipe
- 3. Drain Hose attached to Sink
- 4. Drain Hose Support
- 5. Water Inlet Pipe
- 6. Electrical Connection

NOTE

When using the outlet hose support, please install it like the above image. If the outlet hose is too long, do not force it into the washing machine as it will cause abnormal noises.

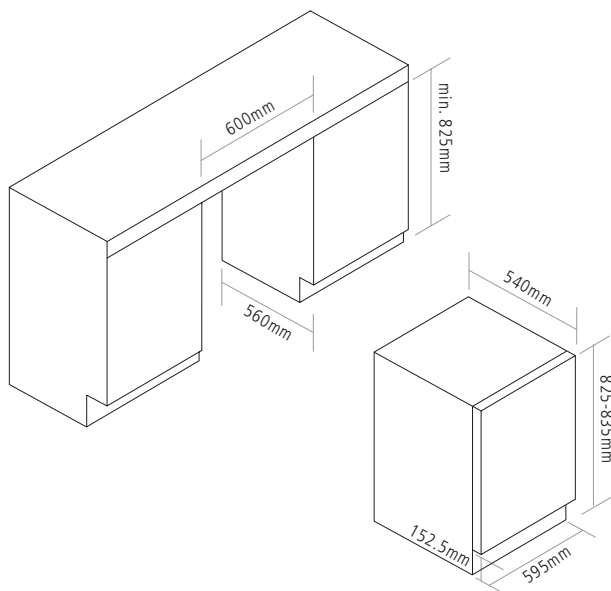
When installing outlet hose, fit it properly with rope.

WARNING

Contact Caple Service should the power cord need replacement. Installation faults are not covered by the manufacturers warranty.

BUILT IN INSTALLATION

Before installing the washing machine, please read these built-in instructions carefully and keep for future reference. This appliance has been designed to be built into the kitchen furniture. The recess should have the dimensions as shown in the figure below:

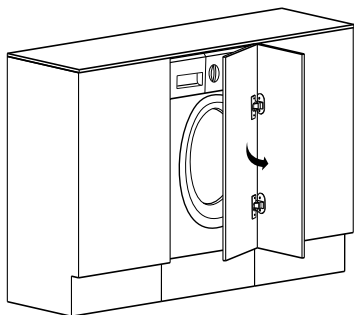


WARNING

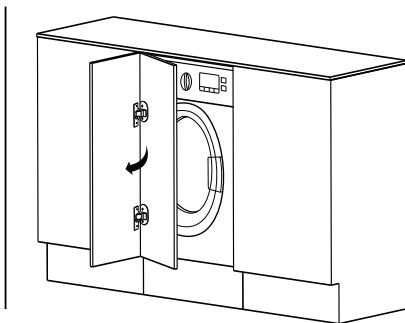
When installing the appliance into the kitchen, if possible, ensure the hoses are placed in either of the two recesses on the back of the appliance. This will help to prevent the hoses from being kinked or trapped.

PREPARATION AND ASSEMBLY OF THE DOOR

The appliance is prearranged for the assembly of a door opening from right to left or from left to right.



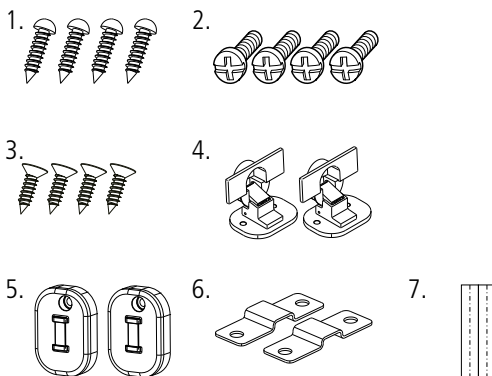
Door opening from left to right



Door opening from right to left

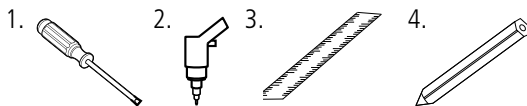
APPENDIX

1. Self-tapping screws (ST4*12)
2. Self-tapping screws (M5*12)
3. Self-tapping screws (ST4.8*15)
4. Hinges
5. Counter magnet
6. Spacer
7. Door template



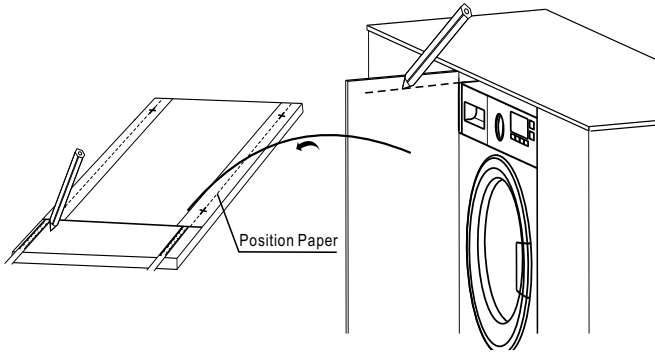
TOOLS

1. Screw Driver
2. Automatic Driver
3. Ruler
4. Pencil

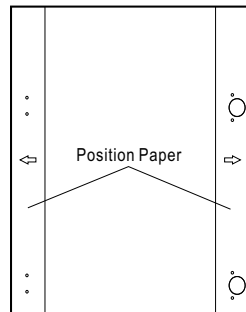
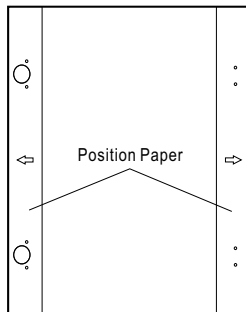
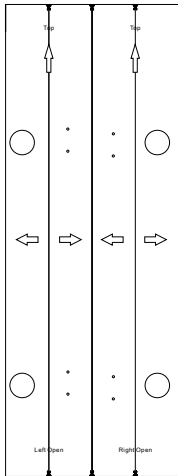


DOOR TEMPLATE PREPARATION

1. Make the mark on the door according to the cupboard and washing machine height.



2. Fix door template onto the door.



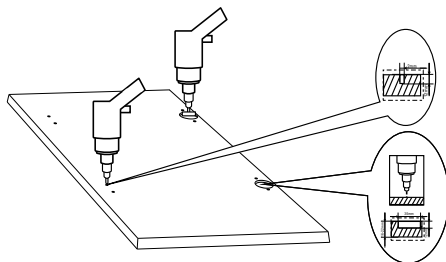
Cut door template paper

Paste on the door
(the door on the right)

Paste on the door
(the door on the left)

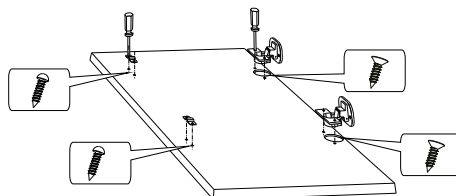
DRILL HOLES ON THE DOOR

1. Drill the holes on the door according to the door template.
2. Installing the hinges and spacer.
Fix the hinges to the furniture door with the ST4*12 screws. The hinges can be adjusted to compensate for possible uneven thickness of the door.



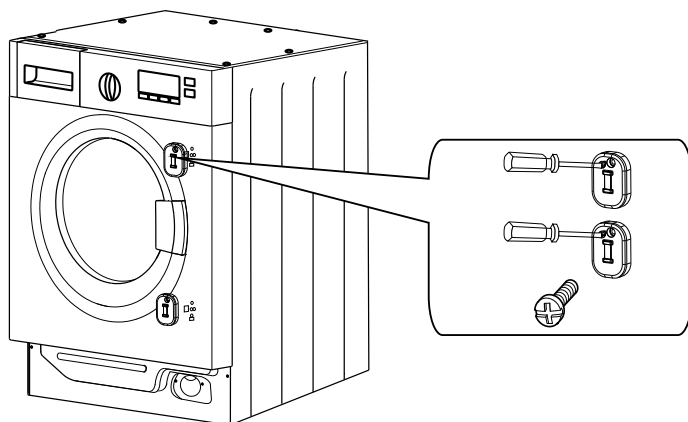
NOTE

Hinges are to be fixed to the door by hand only. Do not use a power tool/electric drill as this will prevent the possibility of damaging the threads.



INSTALLING THE DOOR MAGNET

The appliance is designed with magnetic closure of the door. To enable correct operation of this device, it is necessary to screw the counter-magnet into the inner side of the door.



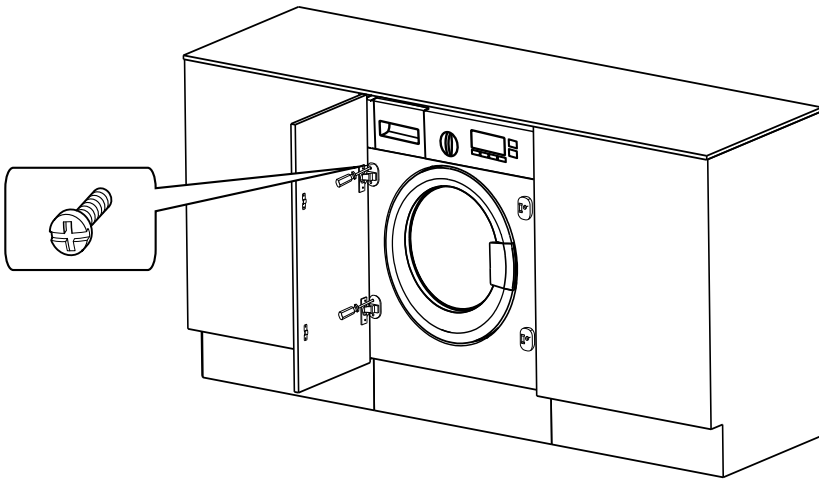
INSTALLING THE DOOR

NOTE

The furniture door should not exceed 9kg

Hinges are to be fixed to the door by hand only.

Do not use a power tool/electric drill as this will prevent the possibly of damaging the threads.



OPERATION

BEFORE WASHING

EMPTY ALL POCKETS

Foreign objects (e.g. nails, coins, paper, clips, etc.) can cause damage to garments and to the components in the machine.

Check the laundry before washing and remove foreign objects.

SORT THE LAUNDRY

Sort the laundry by colour and care label. Most garments have a textile care label in the collar or side seam.

TIP: Dark textiles often contain excess dye and should be washed separately several times before being included in a mixed load. Always wash whites and colours separately.

PRE-TREAT STAINS

Badly soiled areas, stains etc. should be cleaned as soon as possible, preferably whilst still fresh. Spillages should be carefully dabbed off using a soft, colour fast cloth. Do not rub.

TIP: Badly soiled areas can be pretreated with a liquid detergent, stain removers etc. first, following the manufacturer's instructions. With particularly stubborn stains ask your dry cleaner for advice.

Solvent-based cleaners (e.g. benzine) can damage plastic parts. When pre-treating garments, make sure that any plastic parts (e.g. buttons) are protected from cleaning agent.

Chemical (solvent-based) cleaning agents can cause severe damage to the washing machine. Do not use solvent-based cleaning agents in the machine.

GENERAL TIPS:


Curtains: Remove lead weights first or place in a laundry bag.

Underwiring and collar stiffeners: Any loose wiring in bras, shirt collar stiffeners, etc. should be removed or sewn in.

Close any zips, attach Velcro fasteners, fasten hooks and eyes etc. before washing.

Fasten duvet covers, pillow cases etc. to prevent small items from being rolled up inside them.

When washing rugs, bed covers or other heavy clothing, it is recommended to avoid the spinning cycle.

Do not wash any items in this washing machine which are specified by the manufacture as not washable on the care label ( symbol).

HELPFUL SUGGESTIONS:

MAXIMISE THE LOAD SIZE

Achieve the best use of energy, water, detergent and time by using the recommended maximum load size. Save up to 50% energy by washing a full load instead of 2 half loads.

DO YOU NEED TO PRE-WASH?

For heavily soiled laundry only. Save detergent, time, water and between 5 to 15% energy consumption by not selecting Pre-wash for slight to normally soiled laundry.

IS A HOT WASH REQUIRED?

Pre-treat stains with stain remover or soak dried in stains in water before washing to reduce the necessity of a hot wash programme. Save energy by using a low temperature wash programme.

When washing heavily soiled whites, we recommend using cotton programs of 60°C or above and a normal washing powder (heavy duty) that contains bleaching agents that at medium/ high temperatures provide excellent results.

For washes between 40°C and 60°C the type of detergent used needs to be appropriate for the type of fabric and level of soiling.

Normal powders are suitable for “white” or colour fast fabrics with high soiling, while liquid detergents or “colour protecting” powders are suitable for coloured fabrics with light levels of soiling.

DETERGENT DRAWER

The detergent draw is split into 3 compartments as illustrated in figure:

- › Compartment "1": for prewash detergent.

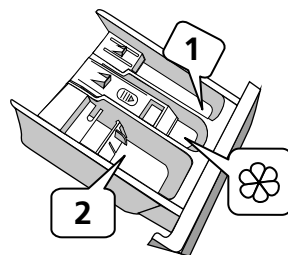
⚠ CAUTION

Detergent only needs to be added in "case I" after selecting pre-washing.

- › Compartment "☼": for special additives, softeners, starch fragrances, etc.

WARNING

Only use liquid products; the washing machine is set to automatically dose additives at each cycle during the last rinse.



- › Compartment "2": for washing detergent.

WARNING

Some detergents are not designed for use in the dispenser drawer but are supplied with their own dispenser that is placed in the drum directly.

PROGRAMME			☼
Quick 15		•	○
Rapid 45	○	•	○
20°C		•	○
Jeans	○	•	○
Eco 40-60		•	○
Intensive		•	○
Rinse & Spin			○
Spin Only			

PROGRAMME			☼
Baby Care	○	•	○
Wool		•	○
Delicate		•	○
Mixed	○	•	○
Synthetic	○	•	○
Sports	○	•	○
Cotton	○	•	○

• Means Must ○ Means Optional

QUICK USER GUIDE

CAUTION

Before washing, please make sure the machine is installed properly.

CALIBRATION

It is recommended to calibrate the washing machine before its first use.

Complete the calibration by following the below steps:

- › Power on the washing machine.
- › Press **SPEED** and **DELAY** buttons at the same time. "T19" will show on the display.
- › Press **START/PAUSE**, to start the calibration. This process lasts several minutes; once complete, the drum will stop spinning and the numbers on the display will stop changing.
- › Turn the appliance OFF then ON. The washing machine is now ready to use.

CAUTION

Before using for the first time, the washing machine should be operated once without clothes, as detailed below:

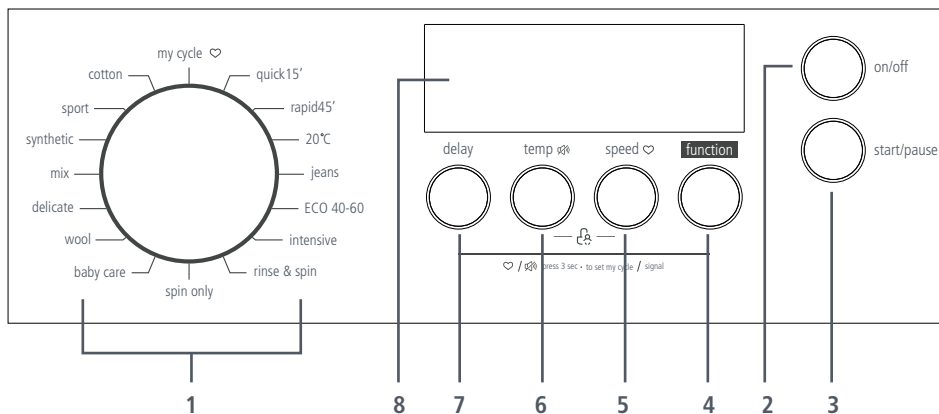
- › Install the washing machine
- › Open the door and load the laundry
- › Measure out the detergent
- › Close the door
- › Put down (hang up) the drain hose (if not connected to sink plumbing)
- › Turn on the water tap (if not connected to mains water supply)
- › Plug in the power supply
- › Turn the washing machine on
- › Select the desired programme and function
- › Press the **START/PAUSE** button to start washing/drying

NOTE

Should power go out when the washing machine is running, a special memory saves the settings and, when power returns, the machine resumes the cycle from where it left off.

- › At the end of the programme, the washing machine will make a sound to signify the end of the cycle. **END** will show on the display
- › Close the water tap
- › Turn off the washing machine

CONTROL PANEL



NOTE:

Diagram is for reference only. Please refer to real product as standard.

BUTTON	OPERATION
1	Programme Selector
2	On/Off Button
3	Start/Pause Button
4	Function Button
5	Spin Speed Button
6	Temperature Selection Button
7	Delay Start Button
8	Digital Display

OPENING THE DOOR

A special safety device prevents the door from being opened during a wash cycle. After the wash cycle has finished the "Door Lock" light will turn off and the door can be opened.

START/PAUSE BUTTON

Close the door **BEFORE** selecting the button **START/PAUSE**.

Press to start the selected cycle.

When the **START/PAUSE** button has been pressed, the appliance can take few seconds before it starts working.

PAUSING THE MACHINE

Press the **START/PAUSE** button to pause washing.

Press the **START/PAUSE** button again to re-start the programme from the point it had been paused at.

CANCELLING THE PROGRAMME

To cancel the programme, set the selector to the **ON/OFF** position.

DELAY BUTTON

This button allows you to pre-programme the wash cycle to delay the start of the cycle for up to 24 hours.

To delay the start use the following procedure:

- › Select the required programme.
- › Press the delay start button once to activate it. The pre-set delay increases by 1 hour each time the button is pressed, until h24 appears on the display, at which point pressing the button again will reset the delay start to zero.
- › Confirm by pressing the **START/PAUSE** button.

It is possible to cancel the delay start by pressing the Delay button until 0H appears on the display. If the programme has already started, press the **ON/OFF** button.

⚠ CAUTION

If there is any break in the power supply while the machine is operating, a special memory stores the selected programme and, when the power is restored, it continues where it left off.

FUNCTION BUTTON

This button allows you to choose between two different functions:

PREWASH

This function performs an extra wash before the main wash, guaranteeing tough dirt removal.

EXTRA RINSE

This function allows you to add one rinse at the end of the washing cycle and is useful for people with delicate and sensitive skin, for which a small amount of detergent residue can cause irritations or allergies.

It is advisable to also use this function for children's clothes and for washing heavily soiled items, which requires a lot of detergent to be used, or for washing towelling items whose fibres mostly have the tendency to hold the detergent.

PROGRAMME	OPTION			PROGRAMME	OPTION		
	Delay	Pre Wash	Extra Rinse		Delay	Pre Wash	Extra Rinse
Quick 15	◦			Baby Care	◦	◦	◦
Rapid 45	◦	◦	◦	Wool	◦		◦
20°C	◦		◦	Delicate	◦		◦
Jeans	◦	◦	◦	Mixed	◦	◦	◦
Eco 40-60	◦			Synthetic	◦	◦	◦
Intensive	◦			Sports	◦	◦	◦
Rinse & Spin	◦		◦	Cotton	◦	◦	◦
Spin Only	◦						

◦ Means optional

NOTE:

Each press of the **FUNCTION** button will allow you to select either Prewash, Extra Rinse or both.

TEMPERATURE SELECTION BUTTON

This button allows you to change the temperature of the wash cycle.

It is not possible to raise the temperature over the maximum allowed for the programme, in order to protect the fabrics.

Press the **TEMP** button repeatedly to change the temperature (Cold, 20°C, 30°C, 40°C, 60°C, 90°C).

SPIN SPEED BUTTON

This button allows you to change the spin speed of the wash cycle.

If the label does not indicate specific information, it is possible to use the maximum spin expected in the programme.

To prevent damage to the fabrics, it is not possible to increase the speed over the maximum allowed for the programme.

Press the **SPEED** button repeatedly to change the spin speed.

PROGRAMME	DEFAULT SPEED [RPM]	
	1200	1400
Quick 15	800	800
Rapid 45	800	800
20°C	1000	1000
Jeans	1000	1000
Eco 40-60	1200	1400
Intensive	800	800
Rinse & Spin	1000	1000
Spin Only	1000	1000

PROGRAMME	DEFAULT SPEED [RPM]	
	1200	1400
Baby Care	800	800
Wool	600	600
Delicate	600	600
Mixed	800	800
Synthetic	800	1200
Sports	800	800
Cotton	800	1400

NOTE:

The higher the spinning speed in the spinning phase, the higher the noise and the lower the remaining moisture content.

CHILD LOCK

Simultaneously pressing the **TEMP** and **SPEED** buttons for **3 SECONDS**, allows you to lock the keys. This way, you can avoid making unwanted changes if a button on the display is pressed accidentally during a cycle.

In this case, all buttons except for the **ON/OFF** button will not work. The machine will turn off when the **ON/OFF** button is pressed. When the **ON/OFF** button is pressed again, the machine resumes the washing programme and the Key Lock remains active.

The child lock can be simply cancelled by simultaneously pressing the **TEMP** and **SPEED** buttons again.

CAUTION

- › If there is a power cut the child lock will deactivate.
- › The child lock will remain effective when the power is resumed.

The child lock will not automatically cancel after the programme has completed.

TURNING AUDIBLE ALARMS ON/OFF

It is possible to deactivate the buzzer on your appliance. After deactivating the buzzer function, the buzzer will no longer sound until re-activated.

After starting the machine, press and hold the **TEMP** button for 3 seconds and you will hear a beep. The buzzer will be deactivated.

To reactivate the buzzer, press and hold the **TEMP** button again for 3 seconds.

CAUTION

After muting the buzzer function, the sounds will no longer be heard.

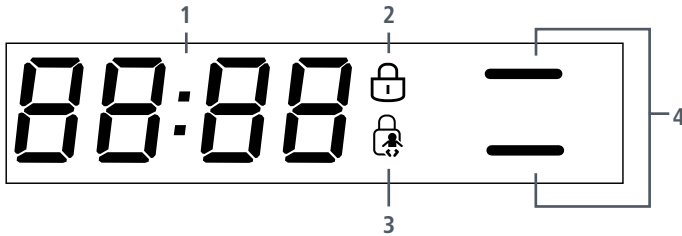
MY CYCLE

My Cycle memorises a certain programme and its customised settings.

To save a programme and its settings to My Cycle, Hold the **SPEED** button for **3 SECONDS**.

DIGITAL DISPLAY

The displays indicator system allows you to be constantly informed about the status of the machine. The display will remain on throughout the cycle.



1) CYCLE DURATION

When a programme is selected the display automatically shows the cycle duration, which can vary, depending on the function selected. The display also shows set Delay Times e.g. '2h' and status messages such as Error Codes e.g. 'E20' and the End of the cycle 'End'.

2) DOOR LOCKED INDICATOR LIGHT

The indicator light is illuminated during the wash cycle.

A special safety device prevents the door from being opened during the programme. After the programme has finished the "Door Security" light will turn off and the door can be opened.

3) KEY LOCK INDICATOR LIGHT

The indicator light show that the keys are locked.

4) FUNCTION

The relevant indicator light is illuminated when the function is selected.

WASHING PROGRAMMES

To clean different types of fabrics and various levels of dirt, the washing machine has specific programmes to meet every need of washing (see table of programmes).

MY CYCLE

Memory programme that saves your customised programme settings. The default 'My Cycle' programme is Cotton.

COTTON

This programme is suitable to clean normally soiled hard-wearing cotton laundry.

SYNTHETIC

For synthetic clothing (e.g. shirts, coats, bedding). Clothing is washed with medium agitation.

RAPID 45 '

Washing cycle suggested for low loads that are slightly soiled. With this programme, it is recommended to reduce the quantity of detergent normally used in order to avoid unnecessary waste.

BABY CARE

Ideal for washing baby clothes. Enhanced washing and rinse performance to better protect delicate skin.

JEANS

For denim clothing. Darker garments should be washed separately several times before including in a mixed load. Wash denim textiles inside out.

MIXED

For washing items made of cotton, linen and synthetics or blended fabrics. Suitable for lightly soiled laundry.

20°C

Ideal for lightly soiled clothes as well as washing and protecting brightly coloured textiles.

SPORTS

Sports clothing made from sythetic, microfibre and fleece materials. Avoid using fabric conditioner when washing these items.

QUICK 15 '

An extra short programme, suitable for refreshing small loads of laundry at a low temperature.

DELICATE

This programme has reduced periods of drum rotation during the cycle and is particularly suitable for washing delicate fabrics (e.g. silk, satin, synthetic fibres or blended fabrics). Avoid high spin speed for items that crease easily.

WOOL

This programme performs a wash cycle dedicated to woolen fabrics that can be machine or hand washable. Especially gentle to prevent shrinkage, with longer programme pauses.

SPIN ONLY

Spin only programme, with selectable spin speed.

RINSE AND SPIN

Seperate rinse and spin programme.

ECO 40 - 60

This programme is able to clean normally soiled cotton laundry declared to be washable at 40°C or 60°C, together in the same cycle. This programme is used to assess the compliance with the EU Eco-design legislation.

INTENSIVE

A prolonged and intense cycle for increased washing performance. For hard-wearing laundry that is heavily soiled.

TABLE OF PROGRAMMES

WMI3006

PROGRAMME	WASHING LOAD [KG]	TEMP [°C]	DEFAULT TIME [H]
	8.0	Default	8.0
			1400
Quick 15	2.0	Cold	0:15
Rapid 45	4.0	40	0:45
20°C	4.0	20	1:01
Jeans	8.0	60	1:45
Eco 40-60	8.0	-	3:35
Intensive	8.0	40	3:48
Rinse & Spin	8.0	-	0:20
Spin Only	8.0	-	0:12
Baby Care	8.0	60	1:43
Wool	2.0	40	1:07
Delicate	2.5	30	0:50
Mixed	8.0	40	1:20
Synthetics	4.0	40	3:18
Sports	4.0	40	1:11
Cotton	8.0	40	3:49

NOTE:

The most efficient programmes in terms of energy consumption, are those that perform at lower temperatures and longer duration.

WMI3001

PROGRAMME	WASHING LOAD [KG]	TEMP [°C]	DEFAULT TIME [H]
	7.0	Default	7.0
			1400
Quick 15	2.0	Cold	0:15
Rapid 45	2.0	40	0:45
20°C	3.5	20	1:01
Jeans	7.0	60	1:45
Eco 40-60	7.0	-	3:25
Intensive	7.0	40	3:48
Rinse & Spin	7.0	-	0:20
Spin Only	7.0	-	0:12
Baby Care	7.0	60	1:43
Wool	2.0	40	1:07
Delicate	2.5	30	0:50
Mixed	7.0	40	1:20
Synthetics	3.5	40	3:18
Sports	3.5	40	1:11
Cotton	7.0	40	3:49

NOTE:

The most efficient programmes in terms of energy consumption, are those that perform at lower temperatures and longer duration.

CLEANING AND MAINTENANCE

WARNING

Before maintenance, unplug the machine and close the tap.

Proper maintenance of the washing machine can extend its working life. To clean the washing machine exterior, use a damp cloth, avoiding abrasives, alcohol and/or solvents. To maintain a good wash performance we recommend that the soap drawer and pump filters are regularly cleaned. A monthly service wash, using a suitable cleaner is also recommended.

MAINTENANCE WASH

Run the machine with an empty drum using the Cotton Programme at 90°C with your usual detergent.

NOTE:

Do not use more than a tablespoon of detergent. This is to prevent over-foaming inside the drum. Alternatively use a suitable washing machine cleaning detergent, making sure to follow the directions on the packaging.

CLEANING THE DRUM

Any rust left inside the drum by metal articles must be removed immediately with chlorine free detergents. Never use steel wool.

NOTE

Do not put laundry in the washing machine during cleaning.

CLEANING THE DOOR SEAL AND GLASS

Wipe the glass and seal after each cycle to remove lint and stains. If lint builds up it can cause leaks.

Remove any coins, buttons and other objects from the seal after each wash.



CLEANING THE INLET FILTER

If there is insufficient or no water when the tap is opened, the inlet filter must be cleaned as follows:

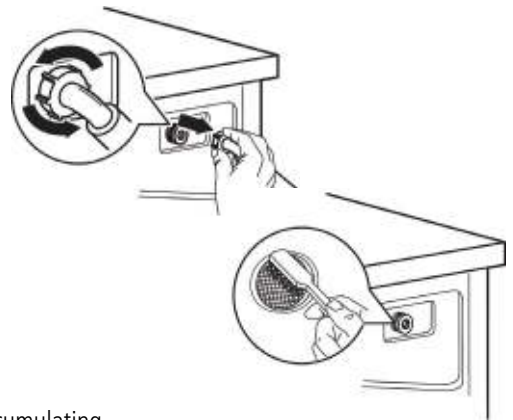
1) Clean the filter in the tap:

- › Close the tap
- › Remove the water supply hose from the tap
- › Clean the filter
- › Reconnect the water supply hose



2) Clean the filter in the washer machine:

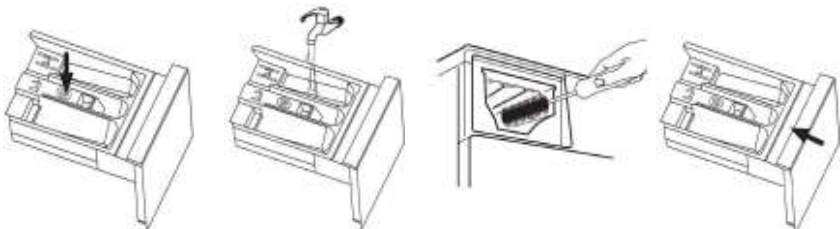
- › Unscrew the inlet pipe from the back of the machine
- › Pull out the filter
- › Use a brush to clean the filter
- › Reinstall the filter
- › Reconnect the inlet pipe



DRAWER CLEANING

We recommend cleaning the drawer to avoid accumulating detergent and additive residue.

- › Extract the drawer by pressing down on the softener cover inside the drawer.
- › Clean the drawer and inside the recess with running water and a brush.
- › Reinsert the drawer into its housing.



FILTER CLEANING

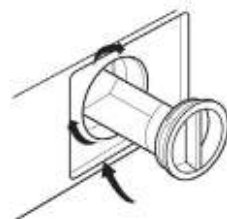
WARNING

- › Be careful of hot water.
- › Allow detergent solution to cool down.
- › Unplug the machine to avoid electrical shock.
- › The filter must be cleaned periodically to ensure the normal operation of the washing machine.

The washing machine comes with a special filter able to trap large residue, such as buttons or coins which could clog the drain.

To clean the filter, proceed as follows:

- › Ensure all the water has been emptied from the drum.
 - › Remove the plinth.
 - › Before unscrewing the filter, we recommend you place an absorbent cloth under it to keep the floor dry. A small amount of water will come out of the filter as you remove it - this is normal.
 - › Turn the filter counter-clockwise to the stop limit.
 - › Remove and clean the filter; when finished, replace it turning it clockwise. The filter handle will be locked when it is not possible to turn any further and the handle is horizontal.
- Applying a small amount of liquid soap on the filter seal will help refitting.
- › Repeat the previous steps in reverse order to reassemble all parts.



CAUTION

When the appliance is in use and depending on the programme selected, there could be hot water in the filter. Never remove the filter during a wash cycle. Always wait until the appliance has finished the cycle and is empty. When replacing the cover ensure it is securely tightened.

SUGGESTIONS FOR MOVING OR PROLONGED DISUSE

Should the washing machine be stored in an unheated room for a long period of time, drain all water from tubes.

Unplug the washing machine.

Detach the tube from the drainage system and clip on the rear of the machine and lower it, fully draining water into a bowl.

Secure the drain tube with the drainage system and clip on the rear of the machine when finished.

Keep the door glass and gasket clean.

The manufacturers warranty only covers faults within the product of a mechanical or electrical nature. Faults caused by handling, installation or misuse are not covered and may incur a charge for any repair visit to resolve.

TROUBLESHOOTING

BEFORE CALLING FOR SERVICE

Reviewing the charts on the following pages may save you from calling for service.

PROBLEM	POSSIBLE CAUSES	SOLUTION
Washing machine cannot start up		Check if the door is closed tightly. Check if power plug is inserted well. Check if water supply tap is opened. Check if button "START/PAUSE" is pressed. Check if button "ON/OFF" is pressed.
Door cannot be opened	Machine's safety protection design is working.	Disconnect the power.
Heating fault	NTC is damaged and heating pipe is aging.	Can normally wash the clothes. Only cannot wash with heating. Shall contact the service centre promptly
Water leakage	The connecting between inlet pipe or outlet hose and tap or washing machine is not tight. Drain pipe in the room is blocked.	Check and fasten water pipes Clean up outlet hose and ask a specialised person to repair it when necessary.
Water is overflowed from the bottom of the machine	The inlet pipe is not connected firmly. Outlet hose has water leakage.	Fix the inlet pipe. Replace the drain hose.
Indicator or display does not light	Power is disconnected. PC board has problems. Harness has connection problem.	Check if the power is shut down and power plug is connected correctly. If not, please call up the service line.
Detergent residues in the box	Washing powder is dampened and agglomerated.	Clean and wipe the box. Use liquid detergents or the detergents special for drum.
Washing effects are not good	The clothes are too dirty. Insufficient detergent quality	Select a proper procedure Add the proper detergent quantity according to the instructions in detergent package.
Abnormal noise Great vibration		Check if the fixing (bolts) has been removed. If cabinet is installed on the solid and level floor. Check if there are any barrettes or metal articles inside. Check if the legs in the washing machine are adjusted level.
Drum not spinning correctly	Unbalanced load. Load is too small or too big.	Check the correct amount of clothing has been put in the drum. Remove excess clothing or add more clothing to balance the load.

DISPLAY LED	DESCRIPTION	REASON	SOLUTION
E30	Door lock problem	Door is not closed properly	Restart after the door is closed
		Please call caple service if the problem persists	
E10	Water injecting problem while washing	Tap is not opened or water flows to slowly. Inlet valve filter is blocked Inlet pipe is twisted If water is not supplied	Open the tap or wait till the water supply becomes normal. Check inlet valve filter Straighten the water pipe Check the other taps in the room
		Please call caple service if the problem persists	
E21	Drain problem while washing	Outlet hose is blocked or twisted Drain pump is blocked	Wash and straighten outlet hose Wash drain pump filter
		Please call caple service if the problem persists	
E12	Excess water while washing	Water overflowing	Restart the washing machine
		Please call caple service if the problem persists	

The use of ecological detergents without phosphates may cause the following effects:

Cloudier rinse drain water: This effect is tied to the suspended zeolites which do not have negative effects on rinse efficiency.

White powder (zeolites) on laundry at the end of the wash: this is normal, the powder is not absorbed by fabric and does not change its colour. To remove the zeolites, select a rinse programme. In the future consider using slightly less detergent.

Foam in the water at last rinse: this does not necessary indicate poor rinsing. Consider using less detergent in future washes.

Abundant foam: This is often due to the anionic surfactants found in the detergents which are hard to eliminate from laundry. In this case, do not re-rinse to eliminate these effects: it will not help at all. We suggest conducting a maintenance wash using a proprietary cleaner.

If the problem persists or more help is required, please contact our Caple service team on **0117 938 7420** or via email **SERVICE@CAPLE.CO.UK**

SPARE PARTS AVAILABILITY

The original spare parts for some specific components are available for a minimum of 7 or 10 years, based on the type of component, from the placing on the market of the last unit of the model.






For more info and to order spares, please contact Caple service or visit our website www.caple.co.uk.

CARE SYMBOLS





The label and sign on the fabric can help you to choose the best way to launder your clothes.

WASHING




The figure quoted in the bucket list is the maximum temperature the garment can be washed at. The number of bars under the symbol indicated the level of agitation permitted.

	No bar under the symbol: = normal agitation
	1 bar under the symbol: = reduced agitation
	2 bars under the symbol: = much needed agitation
	Hand wash (if not temperature is specified, use the lowest temperature or cold)
	Do not wash

PROFESSIONAL CLEANING




	Dry clean only. The letters indicate the type of cleaning agent required.
	
	Professional wet clean only
	Do not dry clean

BLEACHING

	Any oxidising bleaching agent can be used
	Only use an oxygen based bleach or a non-chlorine bleach
	Do not bleach





DRYING

The number of dots indicates the drying temperature

	Normal temperature
	Low temperature
	Do not tumble dry

IRONING

The number of dots indicate the ironing temperature

	Hot iron (max. sole plate temp. approx. 200°C)
	Medium hot iron (max. sole plate temp. approx. 150°C)
	Cool iron (max. sole plate temp. approx. 110°C) Do not steam iron garments carrying this symbol as this could cause irreversible damage
	Do not iron

PRODUCT SPECIFICATIONS

MODEL	WMI3001	WMI3006
Washing Capacity	7.0kg	8.0kg
Dimensions (W* D* H)	595* 540* 825	595* 540* 825
Rated Power	1950W	1950W
Power supply	220-240V~,50Hz	220-240V~,50Hz
MAX. Current	10A	10A
Standard Water Pressure	0.05MPa~1MPa	0.05MPa~1MPa



NOTES

NOTES



Caple Service
Fourth Way
Avonmouth
Bristol
BS11 8DW

T: 0117 938 1900
E: service@caple.co.uk
www.caple.co.uk